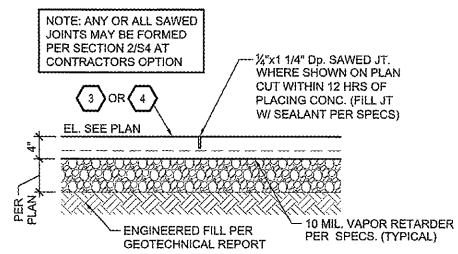
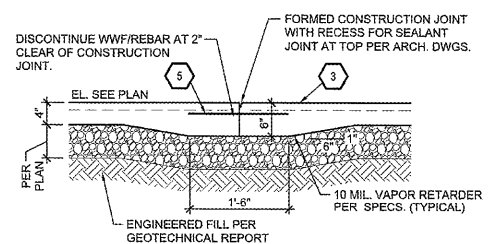


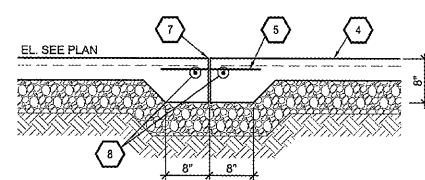
RECEIVED
NOV 01 2018
1736 EAST SUNSHINE, SUITE 417
SPRINGFIELD, MO 65802



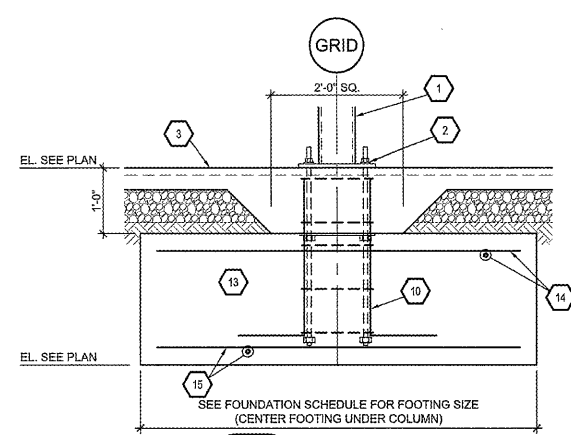
1 TYP. CONTROL JOINT DETAIL
S4 SCALE: 3/4" = 1'-0"



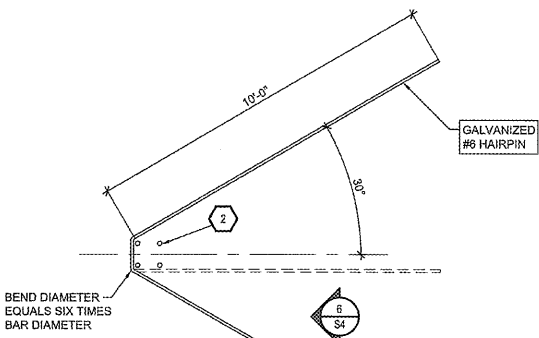
2 TYP. CONSTR. JOINT DETAIL
S4 SCALE: 3/4" = 1'-0"



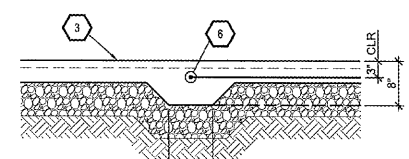
3 SIDEWALK ISOLATION JOINT
S4 SCALE: 3/4" = 1'-0"



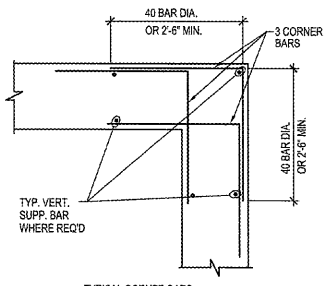
4 SECTION
S4 SCALE: 3/4" = 1'-0"



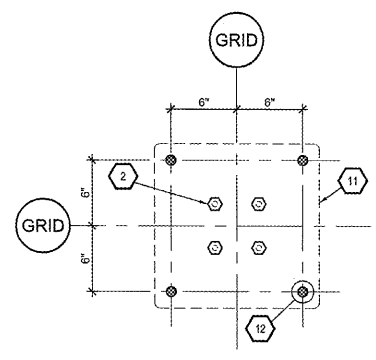
5 TYPICAL HAIRPIN DETAIL
S4 SCALE: 3/4" = 1'-0"



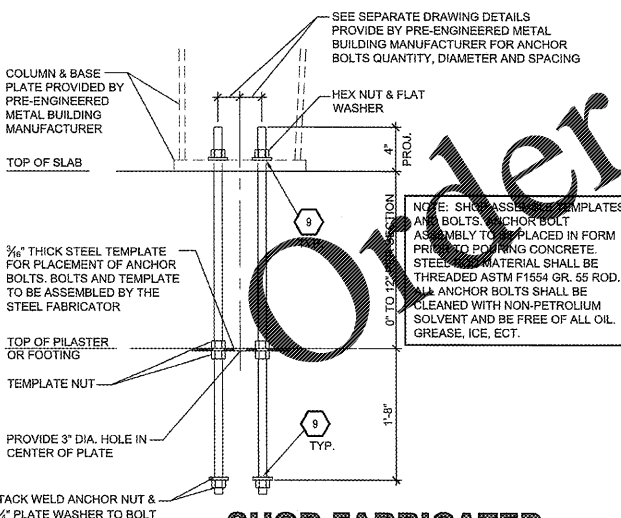
6 SECTION
S4 SCALE: 3/4" = 1'-0"



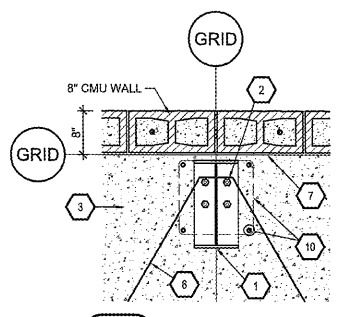
7 SECTION
S4 SCALE: 3/4" = 1'-0"



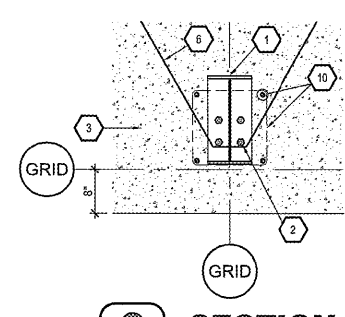
8 SECTION
S4 SCALE: 1 1/2" = 1'-0"



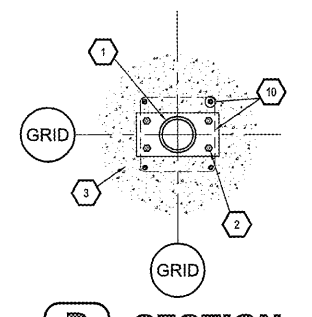
A SHOP FABRICATED ANCHOR ASSEMBLY
S4 SCALE: NONE



B SECTION
S4 SCALE: 3/4" = 1'-0"



C SECTION
S4 SCALE: 3/4" = 1'-0"



D SECTION
S4 SCALE: 3/4" = 1'-0"

KEYNOTES:

- 1 PRE-ENGINEERED METAL BUILDING STRUCTURAL SYSTEM. SEE P.E.M.B. SHOP DRAWINGS FOR ADDITIONAL INFORMATION.
- 2 ANCHOR BOLTS. SEE FOUNDATION SCHEDULE AND PRE-ENGINEERED METAL BUILDING DRAWINGS FOR SIZE, QUANTITY AND PLAN LOCATIONS. SEE A/54 FOR TYPICAL SHOP FABRICATED ANCHOR ASSEMBLY.
- 3 INTERIOR CONCRETE SLAB, SEE FOUNDATION PLAN.
- 4 EXTERIOR CONCRETE SLAB OR SIDEWALK, SEE FOUNDATION PLAN.
- 5 1/2" DIA. x1'-6" SMOOTH DOWELS @24"oc. GREASE ONE END TO PREVENT BOND.
- 6 SLAB GALVANIZED HAIRPIN, SEE DETAIL 5/54.
- 7 1/2" ISOLATION JOINT WITH ASPHALTIC FILLER SEALANT.
- 8 #4 CONTINUOUS
- 9 PROVIDE 1/2"x2 1/2"x2 1/2" PLATE WASHERS ON ANCHOR BOLTS.
- 10 SEE DETAIL 6/54 FOR VERTICAL ANCHOR BOLT CONFINEMENT REINFORCEMENT.
- 11 (3) #3 TIES IN SLAB AND #3 @ 8"oc (MINIMUM OF THREE TIES) IN FOOTING.
- 12 (4) #6 VERTICAL BENT DOWELS - 12"
- 13 PROVIDE #4 TIES TO SUPPORT TOP REBAR IN FOOTING (3 MIN).
- 14 #4 @ 12"oc EACH WAY, TOP. 3" CLEAR COVER EACH END AND ABOVE.
- 15 COLUMN FOOTING REINFORCEMENT, SEE FOUNDATION SCHEDULE.

Order Plans @ www.LDILine.com



Craig A. Schneider, AIA
ARCHITECT
1736 East Sunshine, Suite 417
Springfield, Missouri 65804
417-862-0538
417-862-3264
e-mail: architect@estertyschneider.com

PROJECT:
NEW O'REILLY AUTO PARTS STORE
OLD FRANKLIN TURNPIKE
ROCKY MOUNT, VA
SECTIONS

O'Reilly AUTO PARTS
CORPORATE OFFICES
10000 W. STATE HIGHWAY
SPRINGFIELD, MISSOURI 65802
(417) 862-2674 TELEPHONE

COMM # 4252
DATE: 11-2-18
REVISION
DATE:

BOB D. CAMPBELL & CO.
Structural Engineers Since 1957
4338 Belleview Ave. 816.531.4144
Kansas City, MO 64111 www.bdc-engrs.com