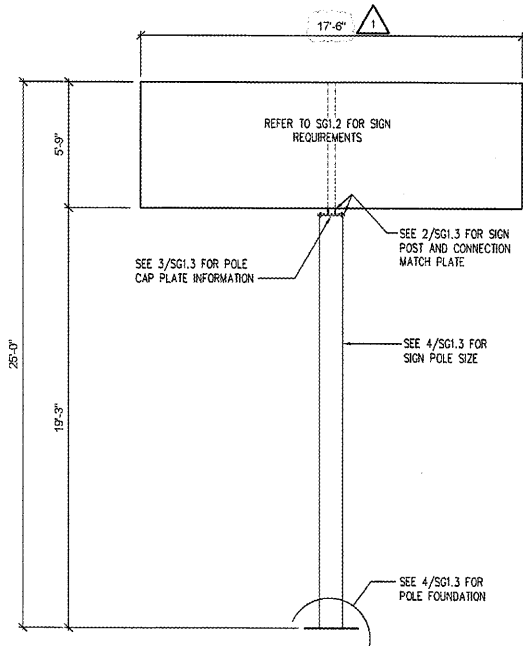
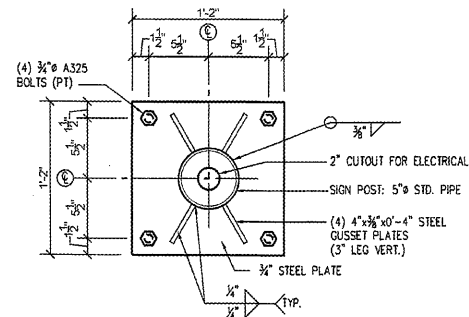


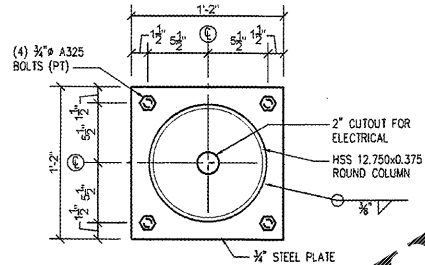
Order Plans @ www.ldilinc.com



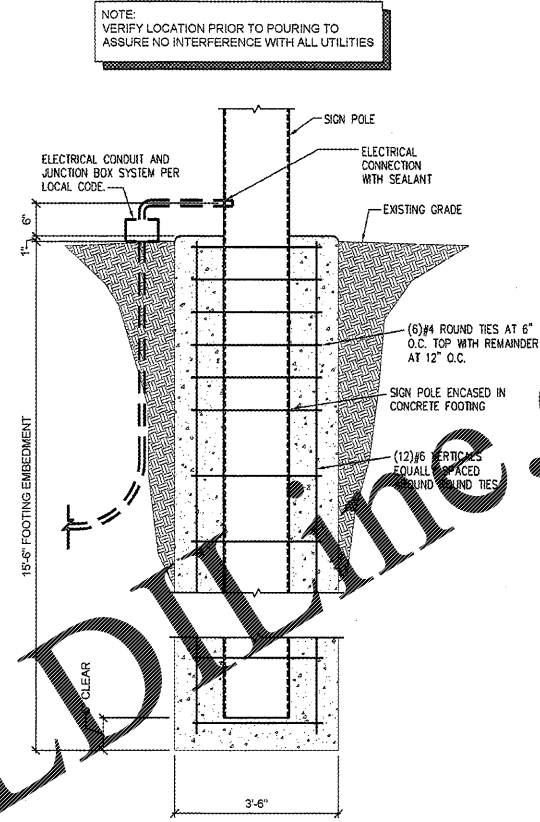
1 GROUND SIGN ELEVATION
SG1.3 SCALE: 1/4" = 1'-0" (SEE SITE PLAN FOR LOCATION)



2 SIGN MATCH PLATE
SG1.3 SCALE: 1 1/2" = 1'-0"



3 POLE CAP PLATE
SG1.3 SCALE: 1 1/2" = 1'-0"



4 SIGN POLE FOUNDATION
SG1.3 SCALE: 3/4" = 1'-0"

GENERAL NOTES

- (A) REFER TO PROJECT MANUAL FOR ADDITIONAL REQUIREMENTS.
- (B) CONTACT OWNER'S OR TENANT'S DESIGNATED PROJECT ADMINISTRATOR FOR QUESTIONS OR CLARIFICATIONS.
- (C) SITE SIGN FOUNDATIONS AND ROUGH-IN ELECTRICAL TO BE PROVIDED BY CONTRACTOR.
- (D) REQUIRED GOVERNMENTAL PERMITS FOR PERMANENT TYPE SIGNAGE TO BE PROVIDED BY OWNER OR OTHERS (N.I.C.).

STRUCTURAL NOTES

- (A) GEOTECHNICAL ANALYSIS HAS BEEN PERFORMED ON THIS SITE. REFER TO PROJECT MANUAL FOR GEOTECHNICAL INFORMATION. APPROPRIATE RECOMMENDATIONS STATED IN THE GEOTECHNICAL REPORT ISSUED BY ECS SHALL BE FOLLOWED.
- (B) THESE FOUNDATIONS HAVE BEEN DESIGNED FOR A SOIL BEARING CAPACITY OF 2500 PSF FOR CONTINUOUS AND ISOLATED FOOTINGS.
- (C) ALL READY MIX CONCRETE SHALL BE 4000 PSI FOR ALL CONCRETE PLACEMENT. DO NOT ADD WATER TO THE MIX DESIGN AFTER DELIVERY TO THE PROJECT SITE.
- (D) EXPOSED EXTERIOR CONCRETE SHALL BE AIR-ENTRAINED (TOTAL AIR CONTENT = 5%). INTERIOR CONCRETE SHALL NOT BE AIR-ENTRAINED.
- (E) HOT OR COLD WEATHER CONCRETING SHALL BE IN ACCORDANCE WITH ACI 305-88 AND ACI 306-1-90, RESPECTIVELY.
- (F) ANY CONCRETE PLACED BY MEANS OF PUMPING SHALL BE DONE IN ACCORDANCE WITH ACI 304.2R (82).
- (G) CEMENT SHALL CONFORM TO A.S.T.M. C-150 TYPE I.
- (H) AGGREGATES SHALL CONFORM TO A.S.T.M. C-33 FOR NORMAL WEIGHT CONCRETE & A.S.T.M. C-330 FOR LIGHTWEIGHT CONCRETE.
- (J) READY MIX CONCRETE SHALL BE MIXED AND DELIVERED IN ACCORDANCE WITH A.S.T.M. C-94.
- (K) ADMIXTURES MAY BE USED WITH THE APPROVAL OF THE STRUCTURAL ENGINEER. ADMIXTURES USED TO INCREASE THE WORKABILITY OF THE CONCRETE SHALL NOT BE CONSIDERED TO REDUCE THE CEMENT CONTENT. NO CALCIUM CHLORIDE ADMIXTURES ALLOWED.
- (L) FABRICATOR QUALIFICATIONS: FABRICATOR MUST PARTICIPATE IN THE AISC QUALITY CONTROL PROGRAM AND BE DESIGNATED AN AISC-CERTIFIED PLANT.
- (M) MATERIALS:
 STRUCTURAL STEEL.....ASTM A992, GRADE 50
 PLATES, ANGLES, AND MISCELLANEOUS STEEL.....ASTM A36
 ANCHOR RODS.....ASTM F1554, GRADE 55
 HIGH STRENGTH BOLTS.....ASTM A325
 ALL PRE-TENSIONED (PT), UNLESS NOTED (ALL NORTH AMERICAN MANUFACTURE)
 WELDING ELECTRODES.....AWS A5.1 (E70XX)
 PIPE.....ASTM A53, GRADE B
 SQUARE, ROUND, AND RECTANGULAR HOLLOW STRUCTURAL SECTIONS (HSS).....ASTM A500, GRADE B, Fy = 46 ksi

DESIGN CRITERIA

- (A) 2015 VIRGINIA BUILDING CODE
- (B) WIND SPEED:
 V₁₀₀ = 115 mph
 V₅₀ = 90 mph
- (C) SEISMIC PERIMETERS:
 SITE CLASS = D
 SEISMIC DESIGN CATEGORY = B
 SS = 0.182
 S1 = 0.076
 SDS = 0.194
 SD1 = 0.122



CRAIG A. SCHNEIDER, AIA
 ARCHITECT
 1736 East Sunshine, Suite 417
 Springfield, Missouri 65804
 417.962.8558
 Fax: 417.962.3265
 e-mail: architect@esterfinc.com

PROJECT:
 NEW O'REILLY AUTO PARTS STORE
 OLD FRANKLIN TURNPIKE
 ROCKY MOUNT, VA
SITE SIGNAGE DETAILS

O'Reilly AUTO PARTS
 CORPORATE OFFICES
 233 SOUTH PATTERSON
 SPRINGFIELD, MISSOURI 65802
 (417) 862-2674 TELEPHONE

COMM #	4252
DATE:	11-2-18
REVISION	
DATE:	11-08-18

BOB D. CAMPBELL & CO.
 Structural Engineers Since 1957
 433B Belleview Ave. 816.531.4144
 Kansas City, MO 64111 www.bdc-enr.com