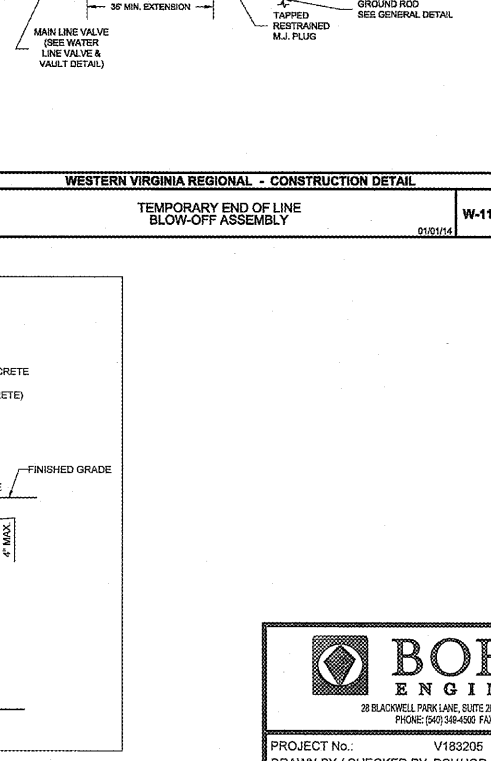
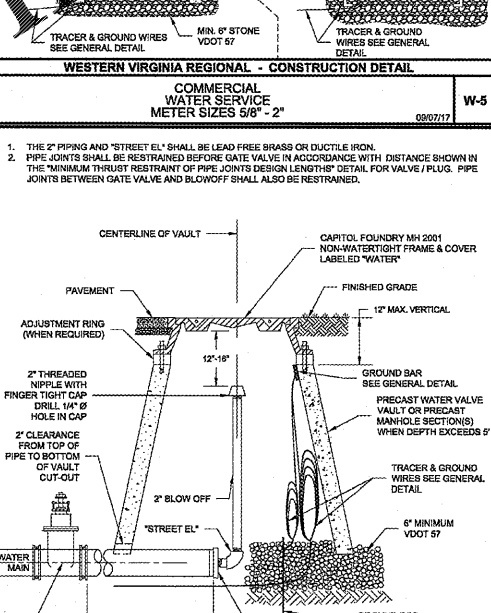
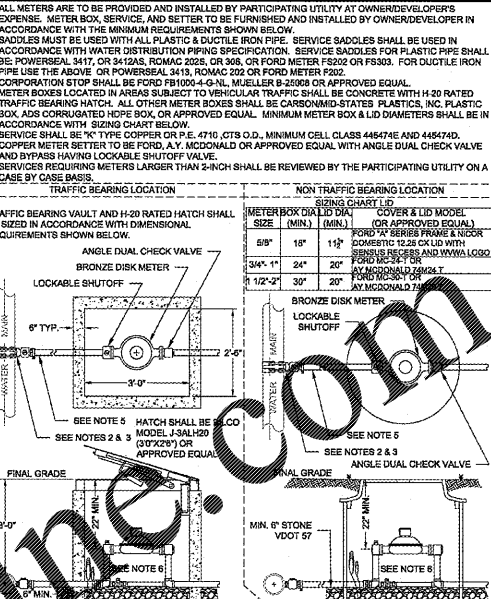
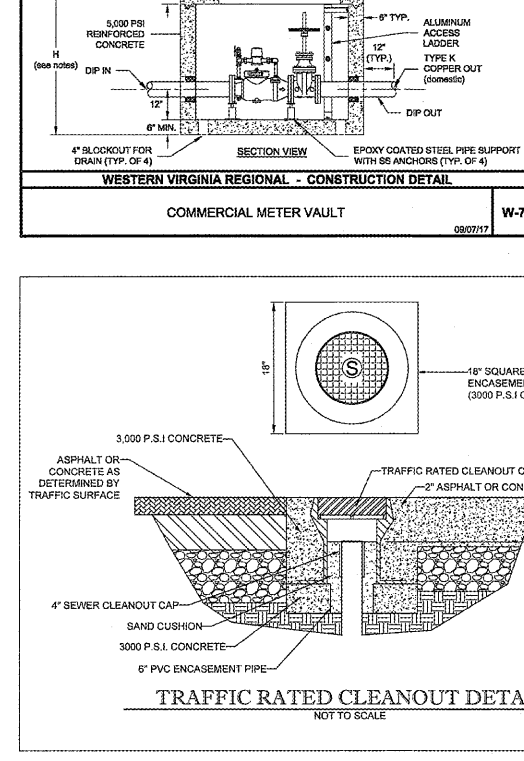
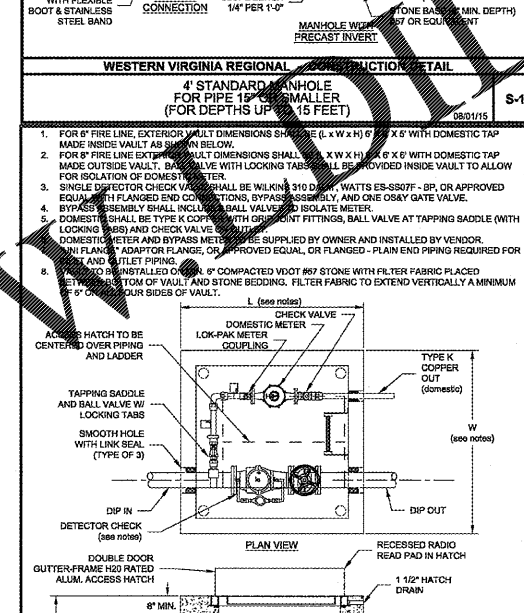
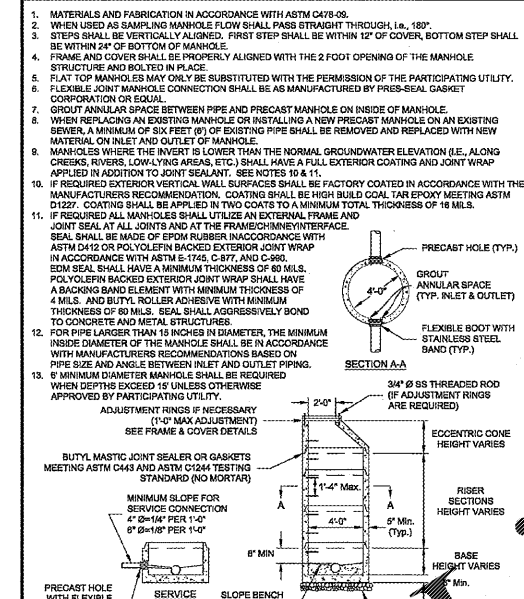
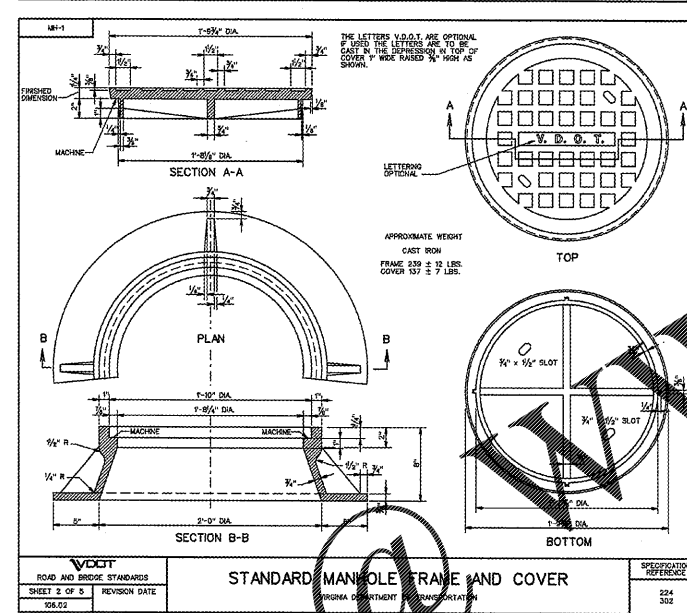
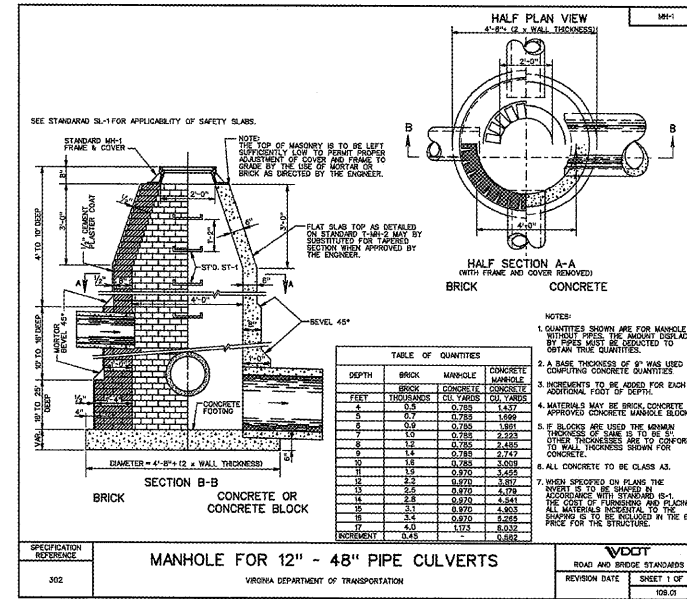
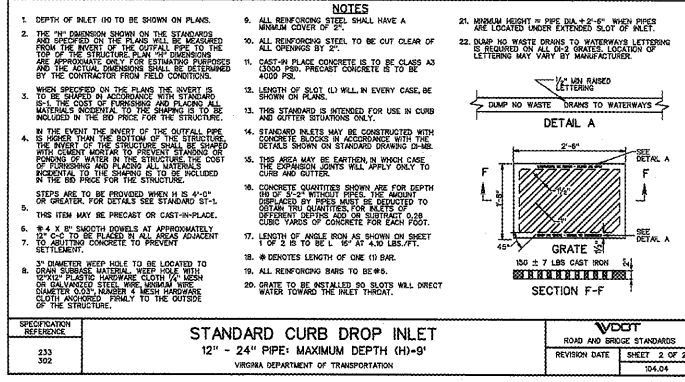


TABLE OF QUANTITIES

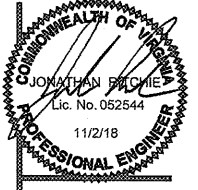
DEPTH	BRICK	MANHOLE	CONCRETE	MANHOLE
1	0.00	0.00	0.00	0.00
2	0.00	0.00	0.00	0.00
3	0.00	0.00	0.00	0.00
4	0.00	0.00	0.00	0.00
5	0.00	0.00	0.00	0.00
6	0.00	0.00	0.00	0.00
7	0.00	0.00	0.00	0.00
8	0.00	0.00	0.00	0.00
9	0.00	0.00	0.00	0.00
10	0.00	0.00	0.00	0.00
11	0.00	0.00	0.00	0.00
12	0.00	0.00	0.00	0.00
13	0.00	0.00	0.00	0.00
14	0.00	0.00	0.00	0.00
15	0.00	0.00	0.00	0.00
16	0.00	0.00	0.00	0.00
17	0.00	0.00	0.00	0.00
18	0.00	0.00	0.00	0.00
19	0.00	0.00	0.00	0.00
20	0.00	0.00	0.00	0.00
21	0.00	0.00	0.00	0.00
22	0.00	0.00	0.00	0.00
23	0.00	0.00	0.00	0.00
24	0.00	0.00	0.00	0.00
25	0.00	0.00	0.00	0.00
26	0.00	0.00	0.00	0.00
27	0.00	0.00	0.00	0.00
28	0.00	0.00	0.00	0.00
29	0.00	0.00	0.00	0.00
30	0.00	0.00	0.00	0.00
31	0.00	0.00	0.00	0.00
32	0.00	0.00	0.00	0.00
33	0.00	0.00	0.00	0.00
34	0.00	0.00	0.00	0.00
35	0.00	0.00	0.00	0.00
36	0.00	0.00	0.00	0.00
37	0.00	0.00	0.00	0.00
38	0.00	0.00	0.00	0.00
39	0.00	0.00	0.00	0.00
40	0.00	0.00	0.00	0.00
41	0.00	0.00	0.00	0.00
42	0.00	0.00	0.00	0.00
43	0.00	0.00	0.00	0.00
44	0.00	0.00	0.00	0.00
45	0.00	0.00	0.00	0.00
46	0.00	0.00	0.00	0.00
47	0.00	0.00	0.00	0.00
48	0.00	0.00	0.00	0.00
49	0.00	0.00	0.00	0.00
50	0.00	0.00	0.00	0.00



Order Plans @



PROJECT NO.: V18205 SCALE: AS NOTED
DRAWN BY: DSH/JCR CHECKED BY: DSH/JCR CAD I.D.: SD0



CRIG A. SCHINDLER, AIA
ARCHITECT
1736 East Sunshine, Suite 417
Springfield, Missouri 65804
417.862.0558
417.862.3265
e-mail: architect@estetscontract.com

PROJECT:
NEW O'REILLY AUTO PARTS STORE
OLD FRANKLIN TURNPIKE
ROCKY MOUNT, VA

O'Reilly AUTO PARTS
CORPORATE OFFICES
233 SOUTH PARKWAY, SUITE 100
SPRINGFIELD, MISSOURI 65802
(417) 862-2074 TELEPHONE

COMM # 4252
DATE: 11-2-18
REVISION
DATE:

C4.2