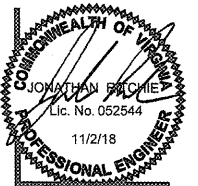


RECEIVED
NOV 01 2018
1736 EAST SHARLINE ST SUITE 417
SPRINGFIELD, MO

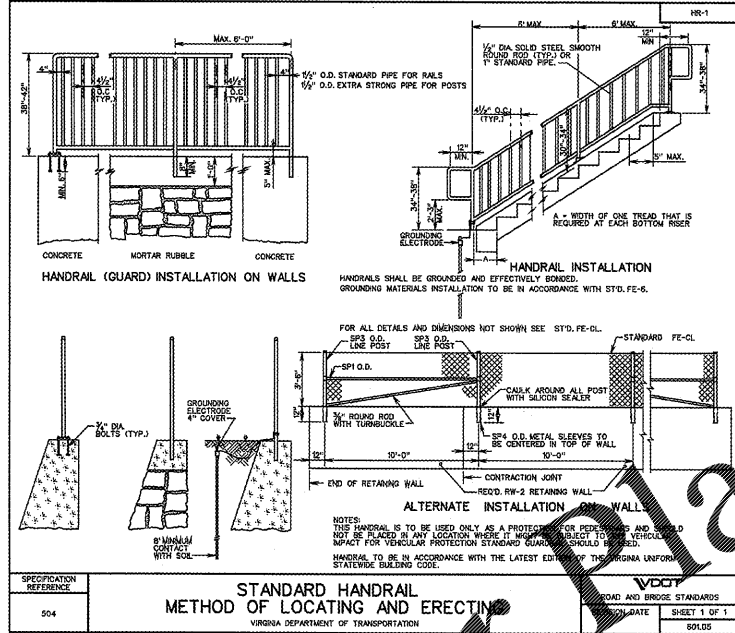
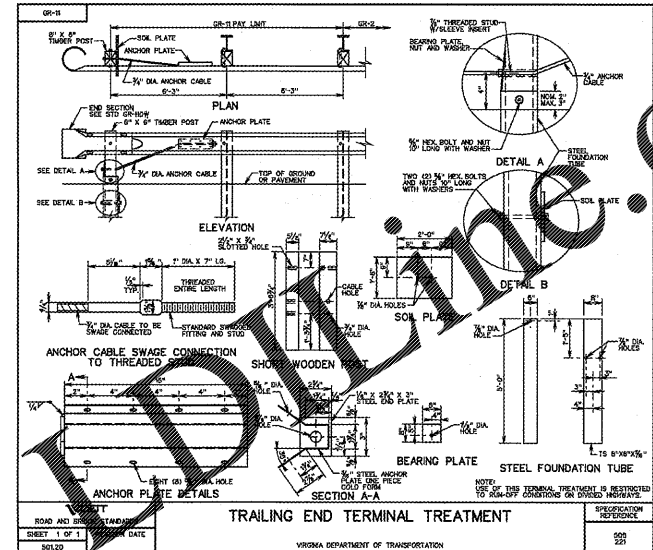
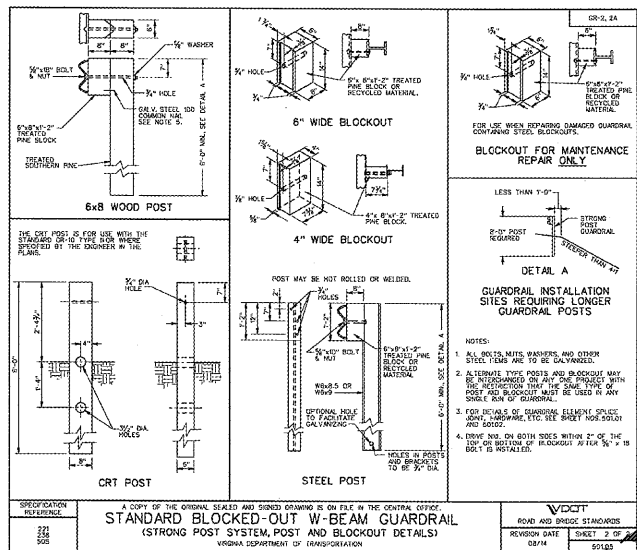
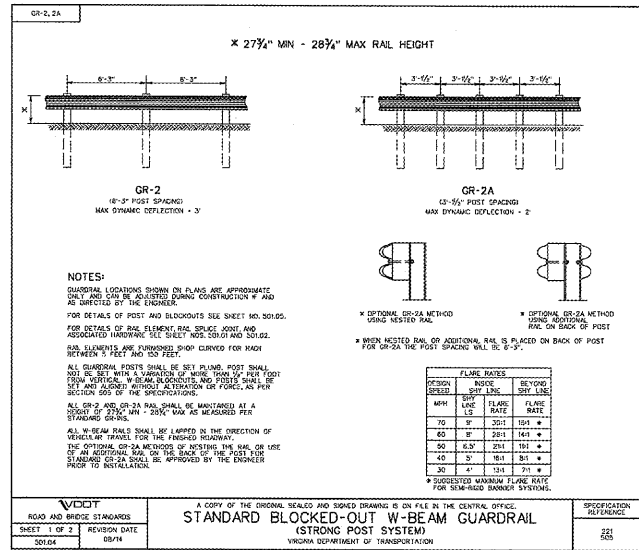


Craig A. Schneider, AIA
ARCHITECT
1736 East Sharline, Suite 417
Springfield, Missouri 65804
417.862.0558
Fax: 417.862.3265
e-mail: architect@craftyschneider.com

PROJECT:
NEW O'REILLY AUTO PARTS STORE
OLD FRANKLIN TURNPIKE
ROCKY MOUNT, VA
SITE DETAILS

O'Reilly AUTO PARTS
ENGINEERING
CORPORATE OFFICES
SPRINGFIELD, MISSOURI 65802
(417) 862-2674 TELEPHONE

COMM # 4252
DATE: 11-2-18
REVISION
DATE:



Order Plans @ www.dynline.com



BOHLER ENGINEERING
28 BLACKWELL PARK LANE, SUITE 201 WARRENTON, VA 20188
PHONE: (540) 349-4500 FAX: (540) 349-0321
PROJECT No.: V183205 SCALE: AS NOTED
DRAWN BY / CHECKED BY: DSHUJR CAD I.D.: SD0

C2.4