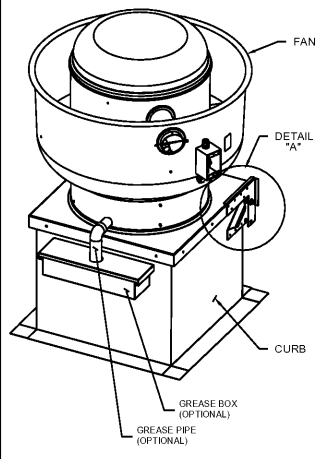
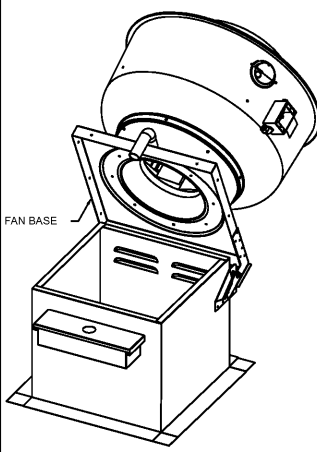


HINGE KIT DETAIL

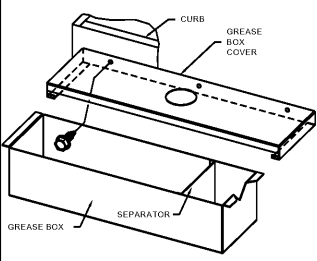


FAN IN CLOSED POSITION



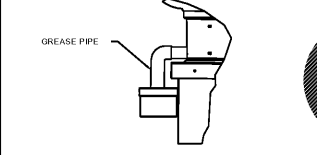
ATTENTION: INSTALLER SHOULD SUPPLY ENOUGH ELECTRICAL CORD TO LET FAN MAKE COMPLETE SWING.

FAN IN OPEN POSITION



ATTACH GREASE BOX COVER TO THE CURB 3" BELOW TOP EDGE OF CURB. USING (3) LONG (3/4" LG.) SCREWS AS SHOWN. INSTALL GREASE PIPE AS SHOWN.

GREASE BOX INSTALLATION



ELECTRICAL PACKAGE NOTES

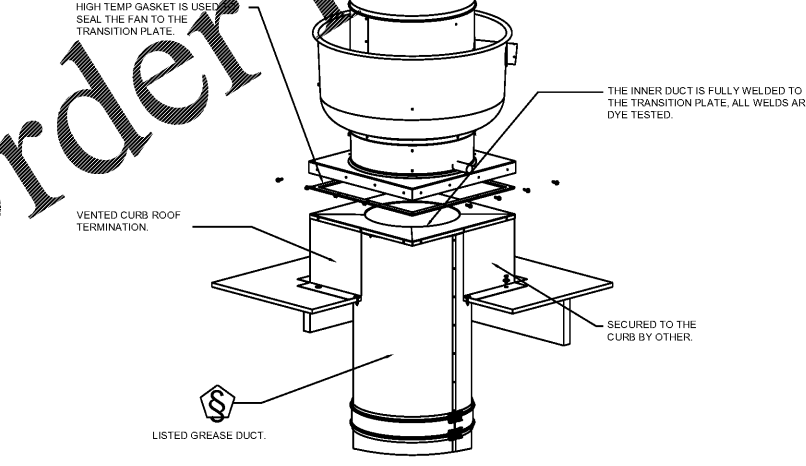
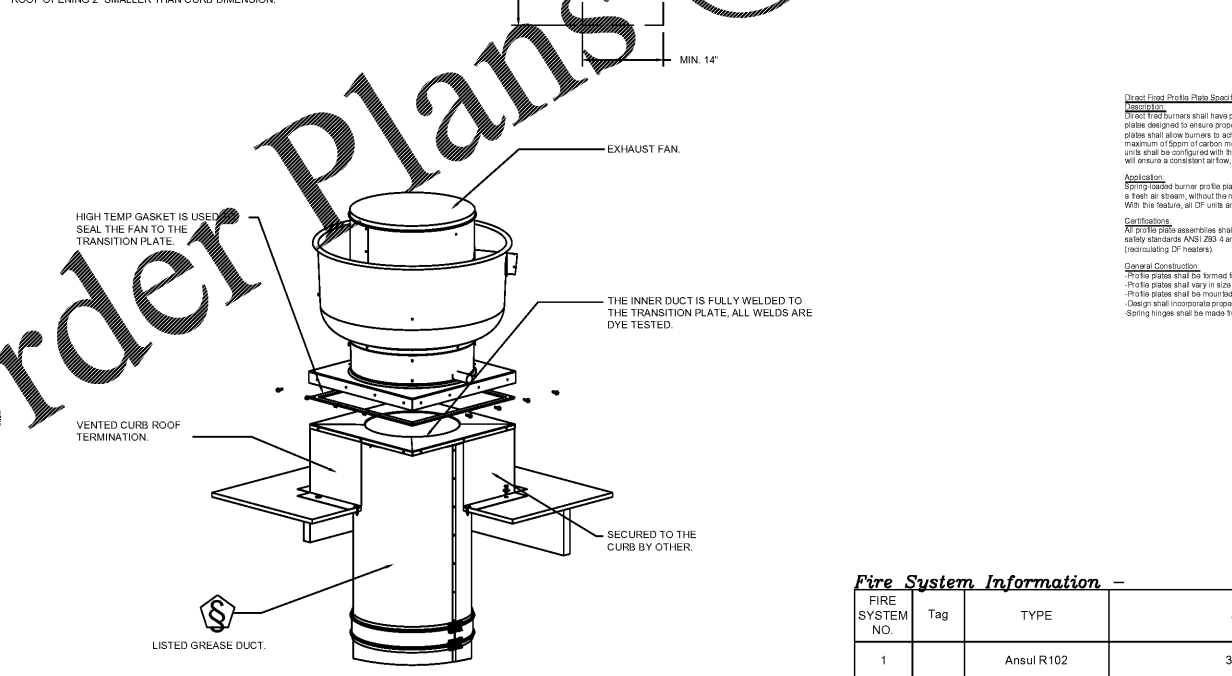
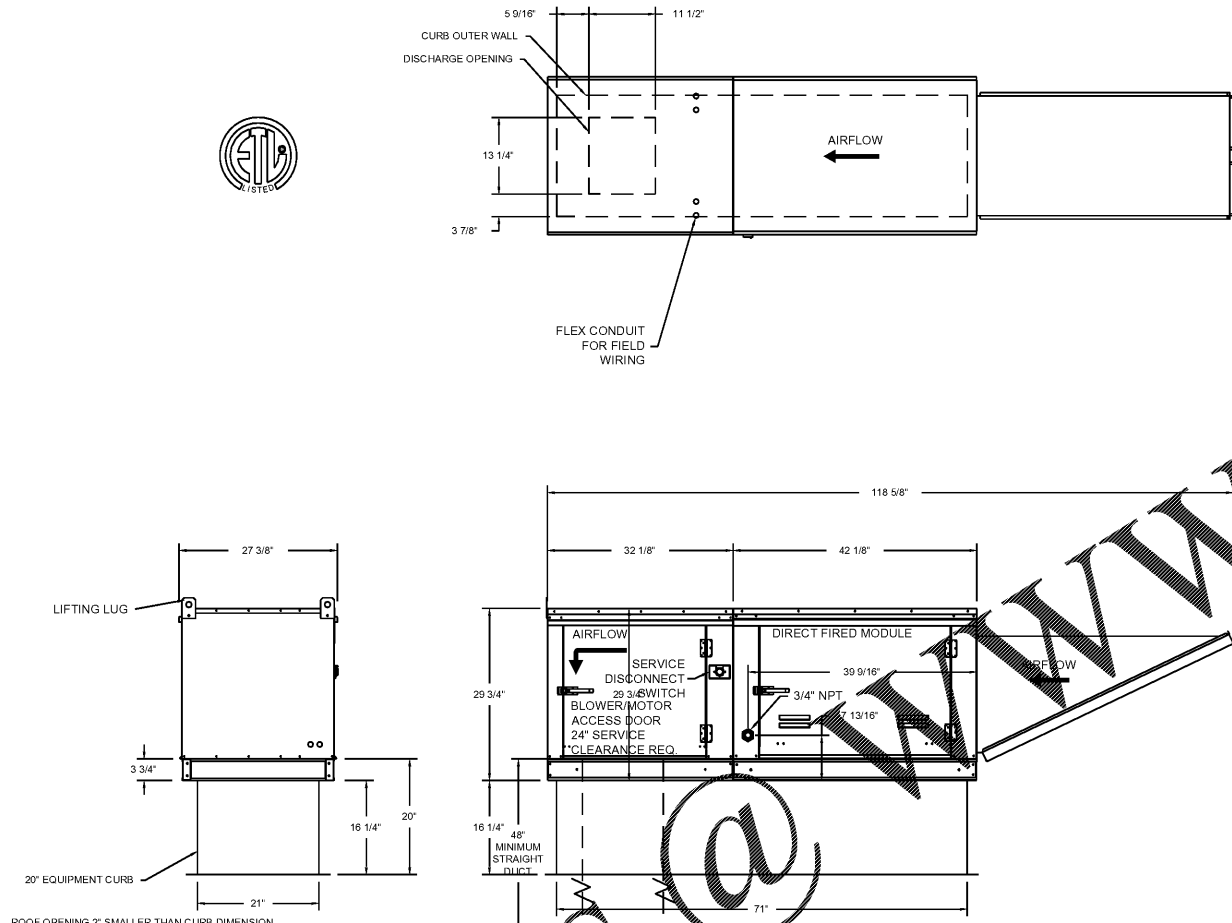
1. A PRE-WIRED ELECTRICAL CONTROL PACKAGE SHALL BE PROVIDED TO OPERATE THE HOOD LIGHTS AND FANS.
2. PACKAGE SHALL CONSIST OF SWITCH PANEL WITH LIGHT SWITCHES AND RED-LEDGED FAN SWITCHES, STARTER/OVERLOAD ASSEMBLY FOR EACH FAN (OPTIONAL), NUMBERED INPUT/OUTPUT TERMINAL STRIPS, AND A TERMINAL FOR DOUBLE-DUAL FIRE SYSTEM MICROSWITCH CONNECTION.
3. ONE RELAY IS WIRED TO MICROSWITCH (IN FIRE SYSTEM) FOR SUPPLY FAN SHUTDOWN AND OTHER RELAY FOR ELECTRICAL CONTROL FROM THE FINED HOOD.
4. ELECTRICAL CONDUIT FROM THE FINED HOOD SHALL BE CONNECTED TO THE NUMBERED TERMINAL STRIP CONDUIT BETWEEN THE PRE-WIRED PACKAGE AND FANS SHALL BE SUPPLIED BY THE ELECTRICAL CONTRACTOR.

- FAN #3 A1-D 250-G10 - HEATER (SF-1)
 1. DIRECT GAS FIRED HEATED MAKE UP AIR UNIT WITH 10" BLOWER
 2. INTAKE HOOD WITH EZ FILTERS
 3. DOWN DISCHARGE - AIR FLOW RIGHT -> LEFT
 4. COOLING INTERLOCK RELAY 24VAC COIL, 120V CONTACTS. LOCKS OUT BURNER CIRCUIT WHEN AC IS ENERGIZED.
 5. MOTORIZED BACK DRAFT DAMPER 16" X 18" FOR SIZE 1 STANDARD & MODULAR HEATER UNITS W/EXTENDED SHAFT, STANDARD GALVANIZED CONSTRUCTION, 3/4" REAR FLANGE, LOW LEAKAGE, TFB 120S ACTUATOR INCLUDED
 6. LOW FIRE START. ALLOWS THE BURNER CIRCUIT TO ENERGIZE WHEN THE MODULATION CONTROL IS IN A LOW FIRE POSITION.
 7. GAS PRESSURE GAUGE, 0-35", 2.5" DIAMETER, 1/4" THREAD SIZE
 8. GAS PRESSURE GAUGE, -5 TO +15 INCHES WC., 2.5" DIAMETER, 1/4" THREAD SIZE

NOTE: SUPPLY DUCT MUST BE INSTALLED TO MEET SMACNA STANDARDS. A MINIMUM STRAIGHT DUCT LENGTH MUST BE MAINTAINED DOWNSTREAM OF UNIT DISCHARGE UNLESS OTHERWISE SPECIFIED. DO NOT RELY ON UNIT TO SUPPORT DUCT IN ANY WAY. FAILURE TO PROPERLY SIZE DUCTWORK MAY CAUSE SYSTEM EFFECTS AND REDUCE PERFORMANCE OF THE EQUIPMENT. SUGGESTED STRAIGHT DUCT SIZE IS 14" X 14" X 48" LONG.

SUPPLY SIDE HEATER INFORMATION:

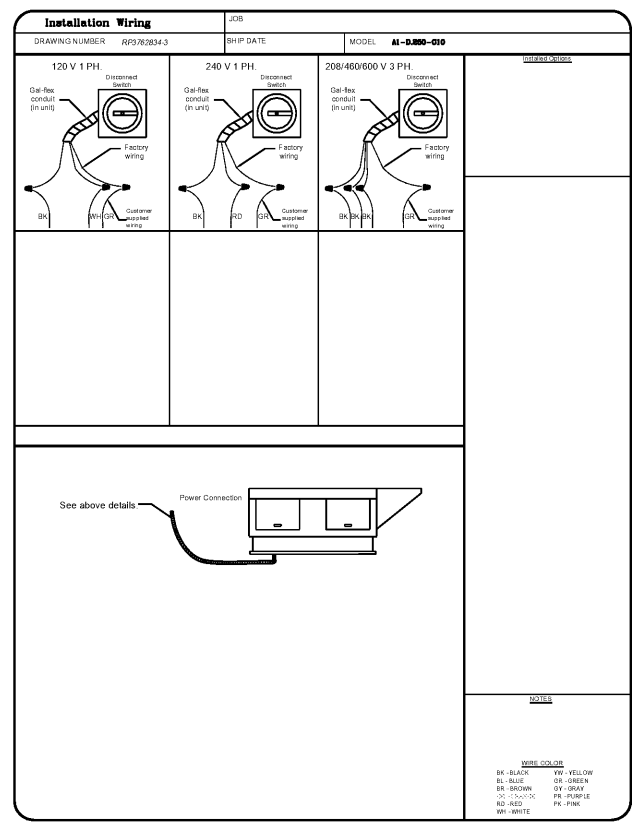
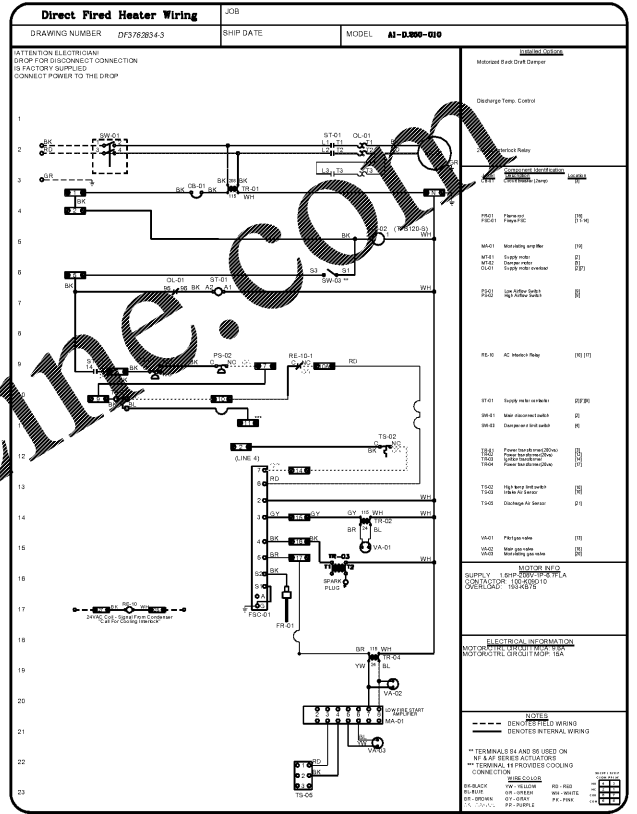
WINTER TEMPERATURE = 23°F. TEMP. RISE = 52°F.
 BTUx CALCULATED OFF STANDARD AIR DENSITY
 OUTPUT BTUx AT ALTITUDE OF 0.0 ft. = 119621
 INPUT BTUx AT ALTITUDE OF 0.0 ft. = 130023



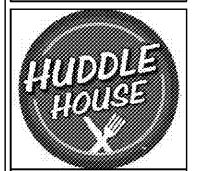
Direct Fired (DF) Profile Plate Assembly
Direct Fired Profile Plate Specifications:
Introduction:
 Direct Fired burners shall have patented (US Patent No. US6025292B2), self-adjusting profile plates designed to ensure proper air velocity and pressure drop across the burner. Profile plates shall allow burners to achieve clean combustion by limiting the product gases to a maximum of 50ppm of carbon monoxide (CO), and 0.5ppm of nitrogen dioxide (NO2). Units shall be configured with the burner mounted down stream of the burner. This arrangement will ensure a consistent air flow, regardless of inlet air temperature.
Application:
 Spring loaded burner profile plates are engineered to automatically react to the momentum of a fresh air stream, without the need for any motors or actuators to mechanically adjust them. With this feature, all DF units are designed for demand control ventilation (DCV) requirements.
Certification:
 All DF units shall be certified to UL 199B and listed in the UL catalog. All DF units shall be certified to UL 199B and listed in the UL catalog.
General Construction:
 -Profile plates shall be formed from G30 galvanized steel.
 -Profile plates shall leg in size per unit.
 -Profile plates shall be mounted along the same plane as the discharge of the burner.
 Design shall incorporate properly torqued, permanently mounted spring hinges.
 Spring hinges shall be made from plated steel.

Fire System Information -

FIRE SYSTEM NO.	Tag	TYPE	SIZE	FLOW POINTS	INSTALLATION	
					SYSTEM	LOCATION ON HOOD
1		Ansul R102	3.0/3.0	6	Wall Mount Right	N/A



See above details - Power Connector



JOB NO. L1905

NORWOOD ARCHITECTS
 807 FORREST ST. N.W.
 ATLANTA, GEORGIA 30318
 ph. 678-921-0302 fax. 678-921-0301
 www.norwoodarchitects.com

HUDDLE HOUSE
 EVO 2000 RESTAURANT
 40 US HWY 84 CAIRO, GA
 GRADY CO. 39828

NO.	ISSUE DATE
	PERMIT SET 04/15/2019

DRAWING NUMBER

MH102

HOOD ELECTRICAL PACKAGES & CONTROL PANEL