

**ELECTRICAL NOTES**

All Hood/Fan/EMS/UDS/PCU electrical connections and interconnections to be provided and installed by Electrician. Electrician to provide, install, and land wiring between hood lights, hood temp sensors, remote Ansul system microswitches, and any other component requiring an electrical connection to the Captive-Aire electrical package.

Failure by the Electrician to make ALL required electrical connections and interconnections will result in the electrical controls not working properly. Any loss or failed test as a result of electrical controls not working properly is the responsibility of the Electrician.

Light bulbs for kitchen hoods to be provided and installed by electrician.

**NOTE**

IT IS RECOMMENDED NOT TO INSTALL HIGH VELOCITY DIFFUSERS OR HVAC RETURNS WITHIN TEN (10) FEET OF THE HOOD. PERFORATED DIFFUSERS ARE RECOMMENDED.

- (2) DUPLEX OUTLETS
- (1) DUPLEX OUTLET

**EXHAUST FAN INFORMATION -**

FAN UNIT NO.	TAG	FAN UNIT MODEL #	CFM	ESP.	RPM	H.P.	B.H.P.	Ø	VOLT	FLA	DISCHARGE VELOCITY	WEIGHT (LBS.)	SONES
1	F-1	DU85HFA	1315	1.000	1234	0.750	0.3300	1	208	5.2	416 FPM	92	13.2
2	F-2	DU85HFA	1350	1.000	1243	0.750	0.3380	1	208	5.2	427 FPM	92	13.4
4	DEF-1	DU33HFA	600	0.500	1212	0.333	0.1200	1	115	4.4	297 FPM	63	10.2

**MUA FAN INFORMATION -**

FAN UNIT NO.	TAG	FAN UNIT MODEL #	BLOWER	HOUSING	MIN CFM	DESIGN CFM	ESP.	RPM	H.P.	B.H.P.	Ø	VOLT	FLA	WEIGHT (LBS.)	SONES	BURNER EFFICIENCY(%)
3	SF-1	A1-D-250-G10	G10	A1-D-250	-	2130	0.500	1143	1.500	0.9070	1	208	6.7	614	21	92

**GAS FIRED MAKE-UP AIR UNIT(S)**

FAN UNIT NO.	TAG	INPUT BTUs	OUTPUT BTUs	TEMP. RISE	REQUIRED INPUT GAS PRESSURE	GAS TYPE
3	SF-1	130023	119621	52 deg F	7 in. w.c. - 14 in. w.c.	LP

**FAN OPTIONS**

FAN UNIT NO.	TAG	OPTION (Qty. - Descr.)
1	F-1	1 - Grease Box 1 - ECM Wiring Package-Exhaust - Manual or 0-10VDC Reference Speed Control (NIDEC Motor)
2	F-2	1 - Grease Box 1 - ECM Wiring Package-Exhaust - Manual or 0-10VDC Reference Speed Control (NIDEC Motor)
3	SF-1	1 - AC Interlock Relay - 24VAC Coil 1 - Motorized Backdraft Damper for A1-D Housing 1 - Low Fire Start 1 - Inlet Pressure Gauge, 0-35" 1 - Manifold Pressure Gauge, -5 to 15" wc
4	DEF-1	1 - ECM Wiring Package-Exhaust - Manual or 0-10VDC Reference Speed Control (NIDEC Motor)

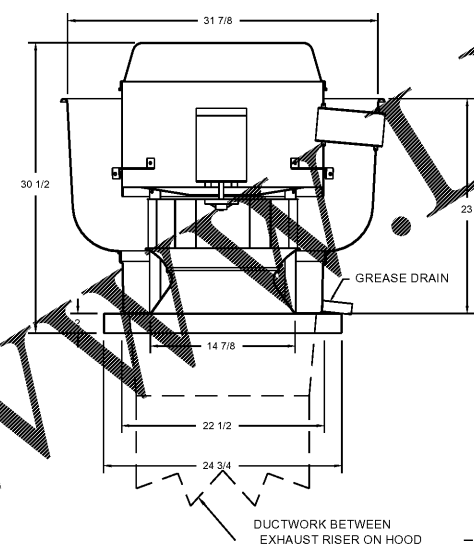
**FAN ACCESSORIES**

FAN UNIT NO.	TAG	EXHAUST				SUPPLY			
		GREASE CUP	GRAVITY DAMPER	WALL MOUNT	SIDE DISCHARGE	GRAVITY DAMPER	MOTORIZED DAMPER	WALL MOUNT	
1	F-1	YES							
2	F-2	YES							
3	SF-1						YES		
4	DEF-1								

**CURB ASSEMBLIES**

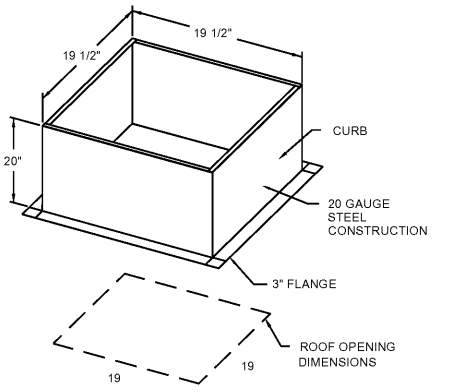
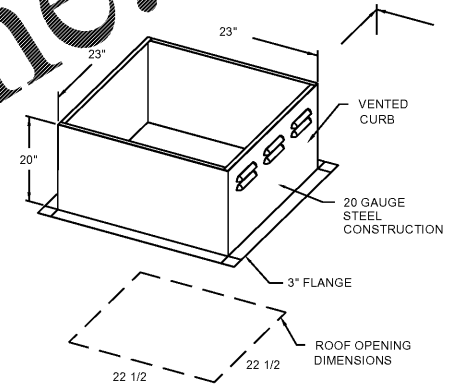
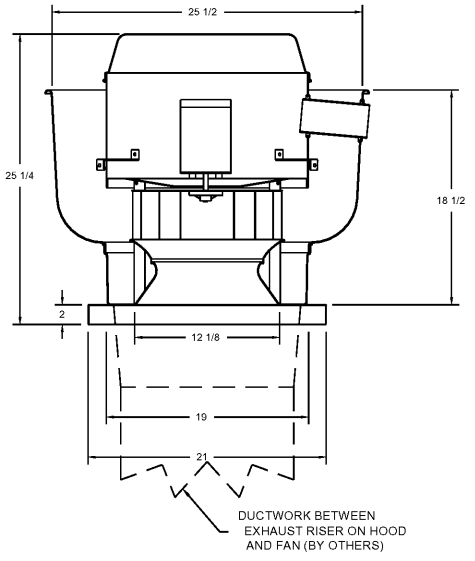
NO.	ON FAN	TAG	WEIGHT	ITEM	SIZE
1	# 1	F-1	36 LBS	Curb	23.000"W x 23.000"L x 20.000"H Vented Hinged
2	# 2	F-2	36 LBS	Curb	23.000"W x 23.000"L x 20.000"H Vented Hinged
3	# 3	SF-1	63 LBS	Curb	21.000"W x 21.000"L x 20.000"H Insulated
4	# 4	DEF-1	27 LBS	Curb	19.500"W x 19.500"L x 20.000"H

FANS #1 (F-1), #2 (F-2) - DU85HFA EXHAUST FAN



Order Plans @

FAN #4 DU33HFA - EXHAUST FAN (DEF-1)



JOB NO. LI905

**NORWOOD ARCHITECTS**  
807 Forester's Lane  
Atlanta, Georgia 30318  
ph. 678-921-0302 fax. 678-921-0301  
www.norwoodarchitects.com

**HUDDLE HOUSE**  
EVO 2000 RESTAURANT  
40 US HWY 84 CAIRO, GA  
GRADY CO. 39828

NO.	ISSUE DATE
	PERMIT SET 04/15/2019

DRAWING NUMBER

**MH101**

**HOOD EXHAUST FANS & FAN SCHEDULE**