

HOOD AND NUTS TO BE SUPPLIED BY INSTALLING CONTRACTOR. HANGING ANGLE IS PRE-PUNCHED AT FACTORY.

ND-2 HANGING ANGLE DETAIL

HOOD STYLE	DIM FROM REAR	DIM FROM FRONT (24" H)	DIM FROM FRONT (30" H)
CANOPY NDZ	4.166"	2.246"	2.246"
ND2-PSP-F	4.166"	2.246"	2.246"
BACKSHELF 2847BD	2.00"	14.25"	-
VHB/VHB-G	36"x36"	42"x42"	48"x48"
FRONT/BACK DIMS BY SIZE	2.246"	2.246"	2.246"

HANGING ANGLE LOCATIONS

EXHAUST CFM=LENGTH OF HOOD X CFM/INCH. (LOAD)
 SUPPLY CFM=EXHAUST CFM X PERCENTAGE REQUIRED
 TOTAL DUCT AREA=144 X CFM
 DUCT LENGTH= TOTAL DUCT AREA / DUCT DPTH

*CAPTIVE-AIR VENTILATION DUCT SIZES ARE CALCULATED USING AN EXHAUST VELOCITY OF 1500-1800 FPM AND A SUPPLY VELOCITY OF 1000 FPM.

CALCULATIONS UTILIZED

CAPTIVE-AIR HOODS ARE BUILT IN COMPLIANCE WITH:



BUILDING CODES

CAPTIVE-AIR HOODS HAVE OPTIONAL CLEARANCE REDUCTION SYSTEMS AVAILABLE AS FOLLOWS:

MATERIAL	CLEARANCE REDUCTION SYSTEM
NON-COMBUSTIBLE	NONE REQUIRED
LIMITED-COMBUSTIBLE	3" UNINSULATED STANDOFF
COMBUSTIBLE	1" INSULATED STANDOFF

CLEARANCE TO COMBUSTIBLES

INSTALLATION

- ALL ELECTRICAL "FIELD" CONNECTIONS AND RELATED INTERCONNECTIONS BY ELECTRICAL CONTRACTORS.
- ALL PLUMBING "FIELD" CONNECTIONS AND RELATED INTERCONNECTIONS BY PLUMBING CONTRACTORS.
- HANGING BRACKETS LOCATED AND WELDED AS SHOWN ON PLANS. ALL OTHER HANGING MATERIALS PROVIDED BY INSTALLING CONTRACTORS.
- ALL CONNECTIONS FROM CAPTIVE-AIR DUCT PER MECHANICAL CONTRACTOR'S PLANS.
- COOKING EQUIPMENT TO SHUT-OFF IN EVENT OF FIRE.
- EXHAUST FANS TO TURN ON IN EVENT OF FIRE.
- ALL LIGHTS FEATURE SHOWN INSTALLED BY CAPTIVE-AIR ARE FACTORY PROVIDED. INTERCONNECTIONS BETWEEN HOODS AND TO SWITCHES BY ELECTRICAL CONTRACTORS.
- LAMPS FOR LIGHT FEATURES BY INSTALLING CONTRACTORS.
- SEISMIC RESISTANT ARE RESPONSIBILITY OF INSTALLING CONTRACTOR.
- INSTALLING CONTRACTORS ASSUME ALL RELATED RESPONSIBILITY FOR VERIFICATION OF DIMENSIONAL DATA CONTAINED ON THESE DOCUMENTS FOR ACCURACY, INTEGRATION AND ADMINISTRATION OF CODE REQUIREMENTS IN EFFECT PRIOR TO ANY RELEASE FOR PRODUCTION OF EQUIPMENT SHOWN.

BALANCE

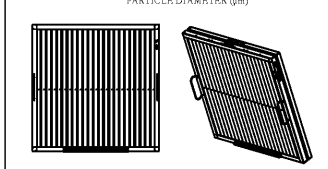
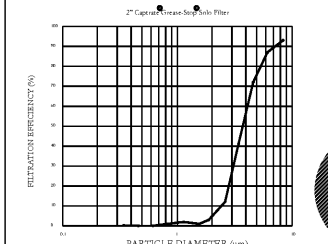
- KITCHEN HOODS MUST BE BALANCED WITH KITCHEN.
- KITCHEN SHALL BE NEGATIVE WITH RESPECT TO DINING AREA.
- RESTAURANT SHALL BE POSITIVE WITH RESPECT TO AMBIENT PRESSURE.

ADDITIONAL

- WRITTEN HOOD DIMENSIONS HAVE PRECEDENCE OVER SCALE.
- SIGNED AND "IMPROVED" COPIES OF THIS DOCUMENT MUST BE RECEIVED BY THE FACTORY PRIOR TO COMMENCEMENT.

GENERAL NOTES

FILTER COLLECTION EFFICIENCY



Captive-Aire Captrate Solo Filter
 ETL Listed Grease Extracting Filters
 Made From 430 Stainless Steel

FILTER DETAIL

HOOD INFORMATION -

HOOD NO.	TAG	MODEL	LENGTH	MAX. COOKING TEMP.	TOTAL EXH. CFM	EXHAUST PLENUM RISER(S)				TOTAL SUPPLY CFM	HOOD CONSTRUCTION	HOOD CONFIG.		SWITCHES				
						WIDTH	LENG.	HEIGHT	DIA.			CFM	VEL.	S.P.	END TO END	ROW	QUANTITY	LOCATION
1	Main	3642 BD-2-6-PLT	9' 0"	450 Deg.	1350			4"	14"	1350	1263	-0.574"	0	430 SS Where Exposed	LEFT	ALONE		
2	Main	3642 BD-2-6-PLT	8' 9"	450 Deg.	1312			4"	14"	1312	1227	-0.568"	0	430 SS Where Exposed	RIGHT	ALONE		
3		96 MISC-PSP	9' 0"	300 Deg.	0								1080	430 SS Where Exposed	ALONE	ALONE		
4		96 MISC-PSP	8' 9"	300 Deg.	0								1050	430 SS Where Exposed	ALONE	ALONE		
5	Dish	4224 VHB-G-ND	4' 0"	700 Deg.	600			4"	10"	600	1100	-0.090"	0	304 SS 100%	ALONE	ALONE	1 FAN	FRONT RIGHT FACE

HOOD INFORMATION

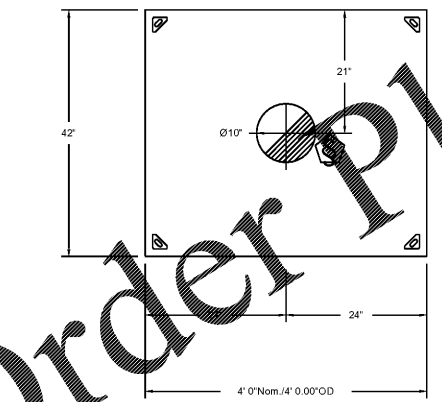
HOOD NO.	TAG	TYPE	QTY.	FILTER(S)				LIGHT(S)				UTILITY CABINET(S)				FIRE SYSTEM PIPING	HOOD HANGING WGT.	
				HEIGHT	LENGTH	EFFICIENCY @ 7 MICRONS	QTY.	TYPE	WIRE GUARD	LOCATION	SIZE	TYPE	SIZE	ELECTRICAL	SWITCHES			QUANTITY
1	Main	Captrate Solo Filter	6	16"	16"	85% See Filter Spec.	0										YES	334 LBS
2	Main	Captrate Solo Filter	6	16"	16"	85% See Filter Spec.	0										YES	327 LBS
3							0										NO	70 LBS
4							0										NO	70 LBS
5	Dish						0										NO	171 LBS

HOOD OPTIONS

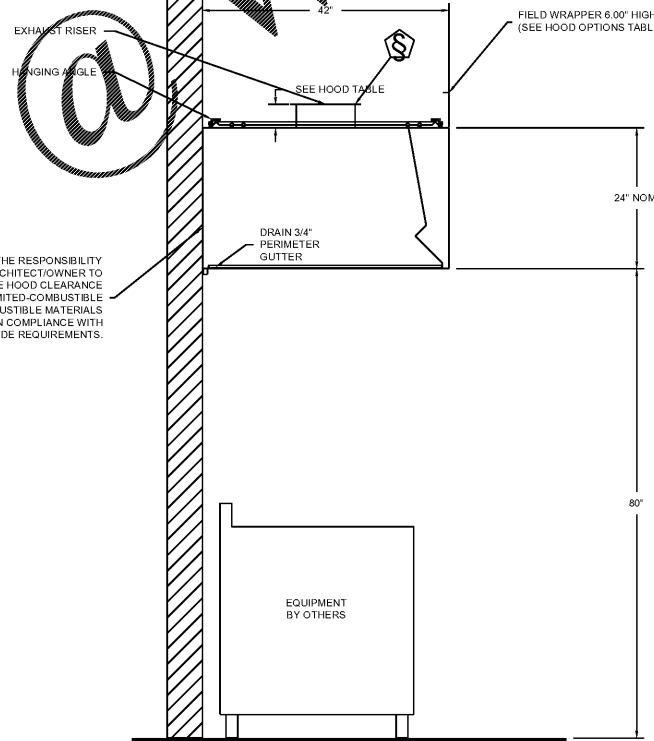
HOOD NO.	TAG	OPTION
1	Main	FIELD WRAPPER 42.00" High Front, Left, Right
		BACKSPLASH 68.00" High X 213.00" Long 430 SS Vertical
		RIGHT QUARTER END PANEL 18" Top Width, 0" Bottom Width, 18" High 430 SS
		LEFT QUARTER END PANEL 18" Top Width, 0" Bottom Width, 18" High 430 SS
2	Main	GFCI DUPLEX OUTLET, 20A 125V - Hood Front Left - Vertical - Dist from End: 3.50 Dist from Bottom: 3.00
		GFCI DUPLEX OUTLET, 20A 125V - Hood Front Right - Vertical - Dist from End: 3.50 Dist from Bottom: 3.00
		FIELD WRAPPER 42.00" High Front, Left, Right
		RIGHT QUARTER END PANEL 18" Top Width, 0" Bottom Width, 18" High 430 SS
5	Dish	LEFT QUARTER END PANEL 18" Top Width, 0" Bottom Width, 18" High 430 SS
		GFCI DUPLEX OUTLET, 20A 125V - Hood Front Right - Vertical - Dist from End: 3.50 Dist from Bottom: 3.00
		FIELD WRAPPER 6.00" High Front, Left, Right
		RIGHT QUARTER END PANEL 18" Top Width, 0" Bottom Width, 18" High 430 SS

PERFORATED SUPPLY PLENUM(S)

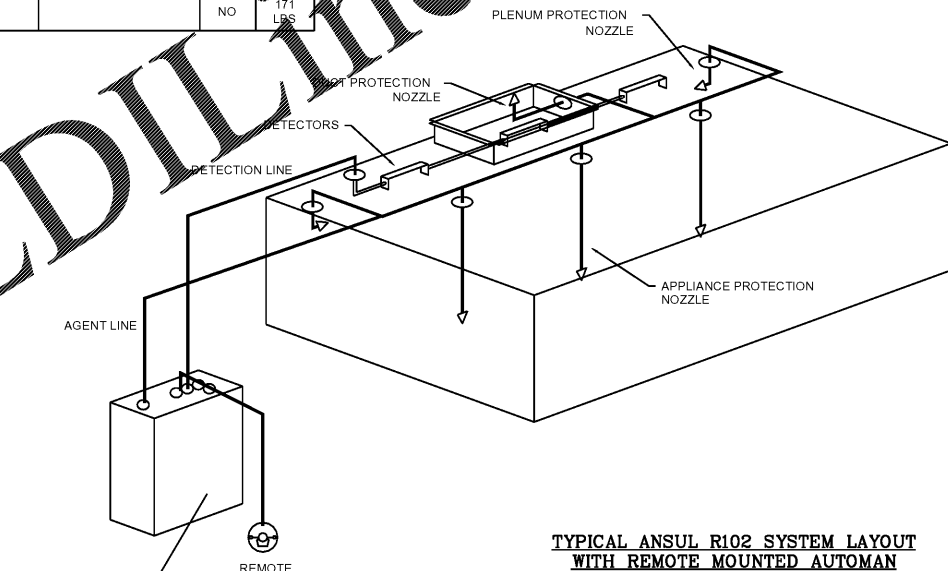
HOOD NO.	TAG	POS.	LENGTH	WIDTH	HEIGHT	RISER(S)					
						TYPE	WIDTH	LENG.	DIA.	CFM	S.P.
3		Front	108"	9"	6"	MJA	6"	28"		360	0.107"
						MJA	6"	28"		360	0.107"
						MJA	6"	28"		360	0.107"
4		Front	105"	9"	6"	MJA	6"	28"		350	0.101"
						MJA	6"	28"		350	0.101"
						MJA	6"	28"		350	0.101"



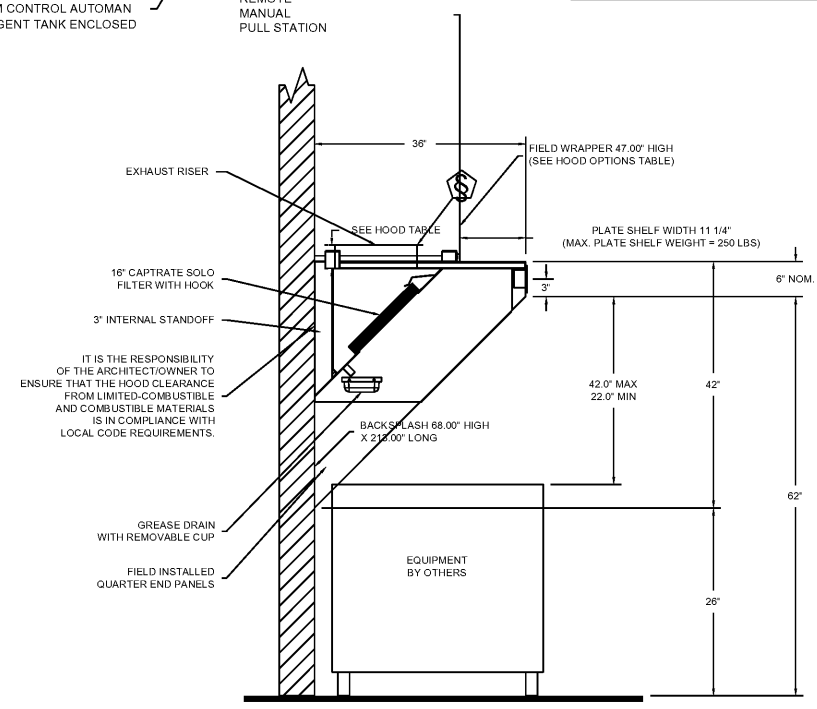
PLAN VIEW - Hood #5 (Dish)
 4' 0.00" LONG 4224VHB-G-ND



SECTION VIEW - MODEL 4224VHB-G-ND
 HOOD - #5 (Dish)



TYPICAL ANSUL R102 SYSTEM LAYOUT WITH REMOTE MOUNTED AUTOMAN

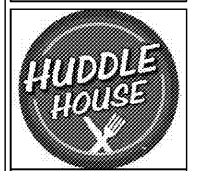


SECTION VIEW - MODEL 3642BD-2-6-PLT
 HOOD - #1 (Main)

HOOD PLANS, ELEVATIONS AND SCHEDULE

Order Plans

WWW.LDILine.com



JOB NO. LI905

NORWOOD ARCHITECTS
 807 Forrester Ln
 Atlanta, Georgia 30318
 ph. 678-921-0302 fax. 678-921-0301
 www.norwoodarchitects.com

HUDDLE HOUSE
 EVO 2000 RESTAURANT
 40 US HWY 84 CAIRO, GA
 GRADY CO. 39828

NO.	ISSUE DATE
	PERMIT SET 04/15/2019

DRAWING NUMBER

MH100