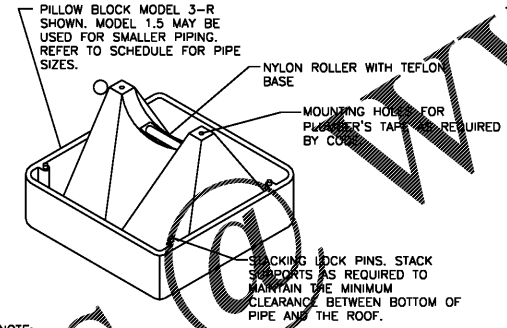
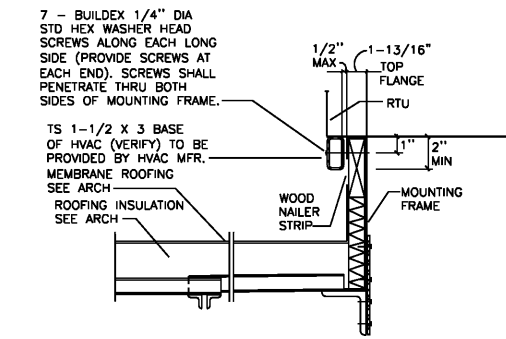


1 ROOF PLAN - HVAC
M200 SCALE: 1/4" = 1'-0"

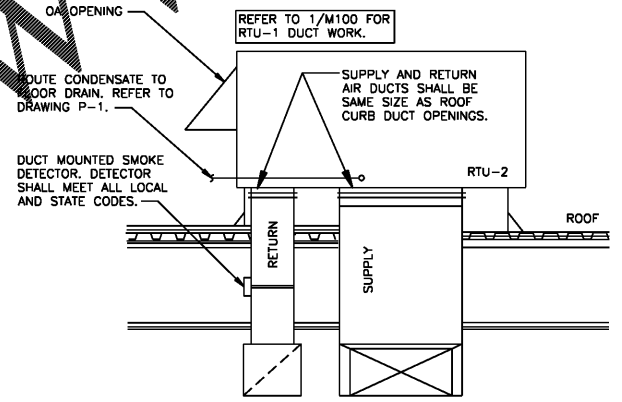
- MECHANICAL NOTES:** Ⓢ
- ROOF TOP UNIT, MOUNTED ON A FULL PERIMETER INSULATED ROOF CURB. PROVIDE 1-1/4" GAS TO UNIT ON ROOF. SEE PLUMBING DRAWINGS FOR PIPING AND LOCATION.
 - MAINTAIN 10' FOOT CLEARANCE FROM ALL ROOFTOP UNIT OUTDOOR AIR INTAKES.
 - PROVIDE CONDENSATE DRAIN EXPOSED ON ROOF. PROVIDE SUPPORT. SEE DETAIL THIS SHEET. SPILL TO REAR GUTTER (IF APPROVED BY AUTHORITY HAVING JURISDICTION).



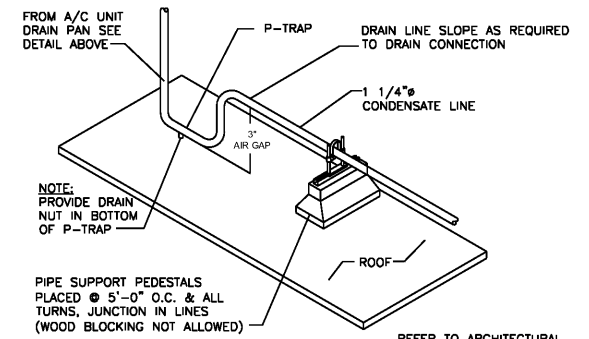
2 PIPE SUPPORT ON ROOF DETAIL
M200 N.T.S.



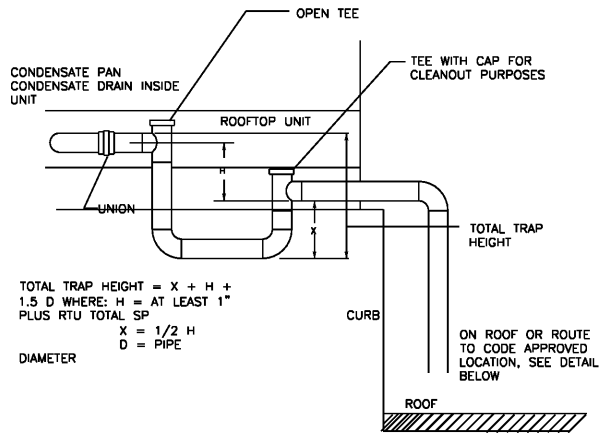
6 RTU ATTACHMENT DETAIL
M200 N.T.S.



3 ROOFTOP UNIT INSTALLATION DETAIL
M200 N.T.S.



7 CONDENSATE DRAIN SUPPORT
M200 N.T.S.



5 CONDENSATE DRAIN DETAIL
M200 N.T.S.

Order Plans



JOB NO. LI905

NORWOOD ARCHITECTS
807 Forester Hill, NW
Atlanta, Georgia 30318
ph. 678-921-0302 fax. 678-921-0301
www.norwoodarchitects.com

HUDDLE HOUSE
EVO 2000 RESTAURANT
40 US HWY 84 CAIRO, GA
GRADY CO. 39828

NO.	ISSUE DATE
	PERMIT SET 04/15/2019

DRAWING NUMBER

M200