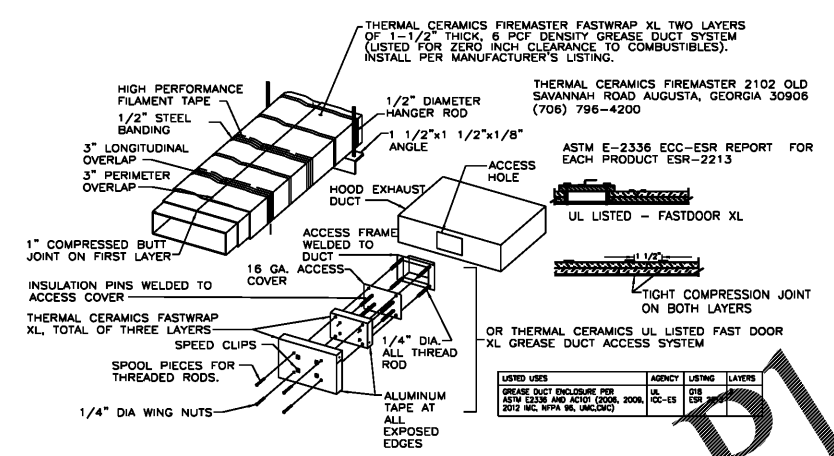
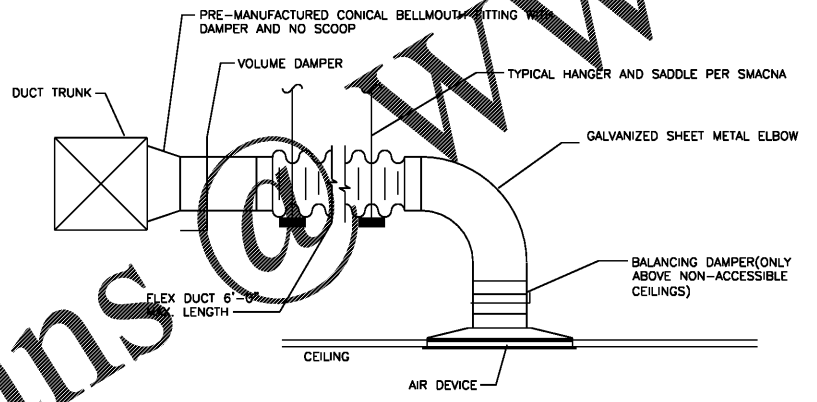


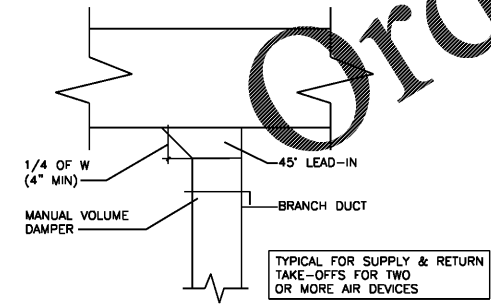
1 FLOOR PLAN - HVAC
M100 SCALE: 1/4" = 1'-0"



1 HOOD EXHAUST DUCT WRAP DETAIL
M100 N.T.S.



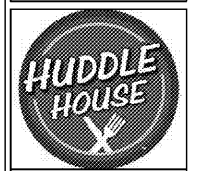
2 TYPICAL FLEXIBLE DUCT CONNECTION
M100 N.T.S.



3 BRANCH TAKE-OFF
M100 N.T.S.

MECHANICAL NOTES:

1. DUCTWORK LOCATED ABOVE CEILING BETWEEN TRUSSES AND THROUGH JOIST WEBBING. COORDINATE WITH STRUCTURE.
2. GREASE EXHAUST DUCT ABOVE HOOD (CONCEALED BY SS PANELS) WITH FIRE RATED ZERO CLEARANCE DUCT WRAP. SLOPE BACK TO HOOD AT 1/4" PER FT. MIN.
3. REMOTE TEMPERATURE & HUMIDITY SENSORS TO BE COMPATIBLE WITH THERMOSTATS. MOUNT ON WALL OR IN RETURN GRILLE FOR UNIT DESIGNATED.
4. CEILING MOUNTED EXHAUST FAN. CONTROLLED WITH LIGHTS. CENTER OVER WATER CLOSET.
5. PROGRAMMABLE THERMOSTATS FOR ROOFTOP UNITS, GANGED ON WALL +/-48" A.F.F. PROVIDE LOCKABLE COVER.
6. 1" DOOR UNDERCUT (TYP.)
7. MANUAL VOLUME DAMPER (TYP.)
8. SUPPLY AIR DUCT DROP FROM UNIT ON ROOF. PROVIDE FULL SIZE DROP TO DUCT SIZE INDICATED.
9. RETURN AIR DUCT DROP FROM UNIT ON ROOF. PROVIDE FULL SIZE DROP TO DUCT SIZE INDICATED.
10. GREASE EXHAUST DUCT UP TO ROOF MOUNTED GREASE EXHAUST FAN. REFER TO HOOD DRAWINGS. SHEETS MH100 THROUGH MH103. DUCT SHALL BE 16 GA. EXTERNALLY LIQUID TIGHT BLACK IRON.
11. EXHAUST AIR DUCT UP TO ROOFCAP. PENETRATION SHALL MEET ALL LOCAL AND STATE CODES.
12. PROVIDE DUCT MOUNTED SMOKE DETECTOR IN RETURN MAIN DUCT. SMOKE DETECTOR SHALL SHUT OFF UNIT WHEN SMOKE IS DETECTED. PROVIDE VISUAL & AUDIBLE ALARM IN A CONSTANTLY OCCUPIED LOCATION.
13. AIR-TITE FITTING WITH VOLUME DAMPER (TYP.)
14. PLENUM RATED FLEXIBLE DUCTWORK ABOVE ACCESSIBLE CEILINGS ONLY. (TYP.)
15. TRANSITION HOOD EXHAUST DUCT TO EXHAUST COLLAR ON HOOD. WELD DUCT TO COLLAR. REFER TO HOOD DRAWINGS SHEETS MH100 THROUGH MH103.
16. OUTLINE OF ROOF MOUNTED EXHAUST FAN. REFER TO ROOF PLAN.
17. OUTLINE OF GAS FIRED ROOFTOP UNIT. REFER TO ROOF PLAN.
18. MANUFACTURER PROVIDED VENT PIPE FROM WATER HEATER (WH-1) TO CONCENTRIC VENT THROUGH ROOF. SIZE AND INSTALL PER MANUFACTURER'S RECOMMENDATIONS. MAINTAIN 10'-0" FROM ROOFTOP UNIT OUTSIDE AIR AND COMBUSTION AIR INTAKES.
19. MANUFACTURER PROVIDED COMBUSTION AIR INTAKE PIPE FROM WATER HEATER (WH-1) TO CONCENTRIC VENT THROUGH ROOF. SIZE AND INSTALL PER MANUFACTURER'S RECOMMENDATIONS.
20. PLENUM WITH 1" DUCT LINER TO 10'-0" FROM UNIT SHOWN (MINIMUM SIZE = DIMENSION OF UNIT OPENING FOR HEIGHT AND WIDTH).
21. WATER HEATER CONCENTRIC VENT THROUGH ROOF.
22. STAINLESS STEEL LIQUID TIGHT DISHWASHER HOOD EXHAUST DUCT. SLOPE DOWN TO HOOD AT 1/4" PER FOOT MIN.
23. COOLER COMPRESSOR.



JOB NO. L1905

NORWOOD ARCHITECTS
807 Forester Hill, N.W.
Atlanta, Georgia 30318
ph. 678-921-0302 fax. 678-921-0301
www.norwoodarchitects.com

HUDDLE HOUSE
EVO 2000 RESTAURANT
40 US HWY 84 CAIRO, GA
GRADY CO. 39828

NO.	ISSUE DATE
	PERMIT SET 04/15/2019

DRAWING NUMBER

M100