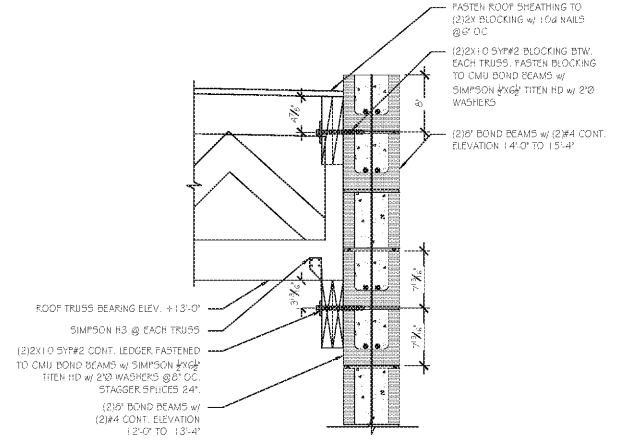
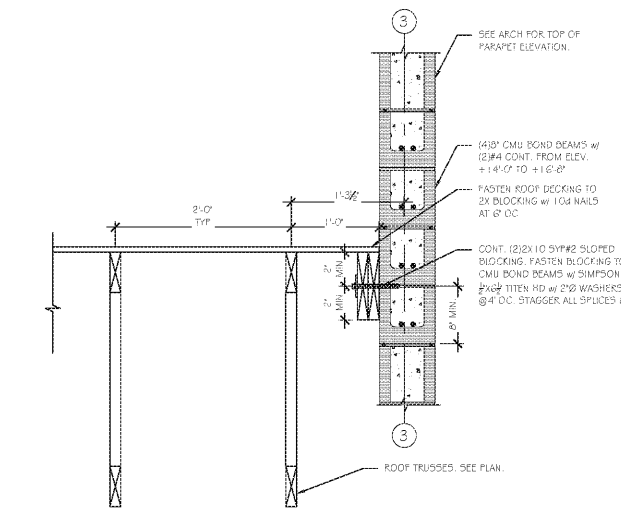


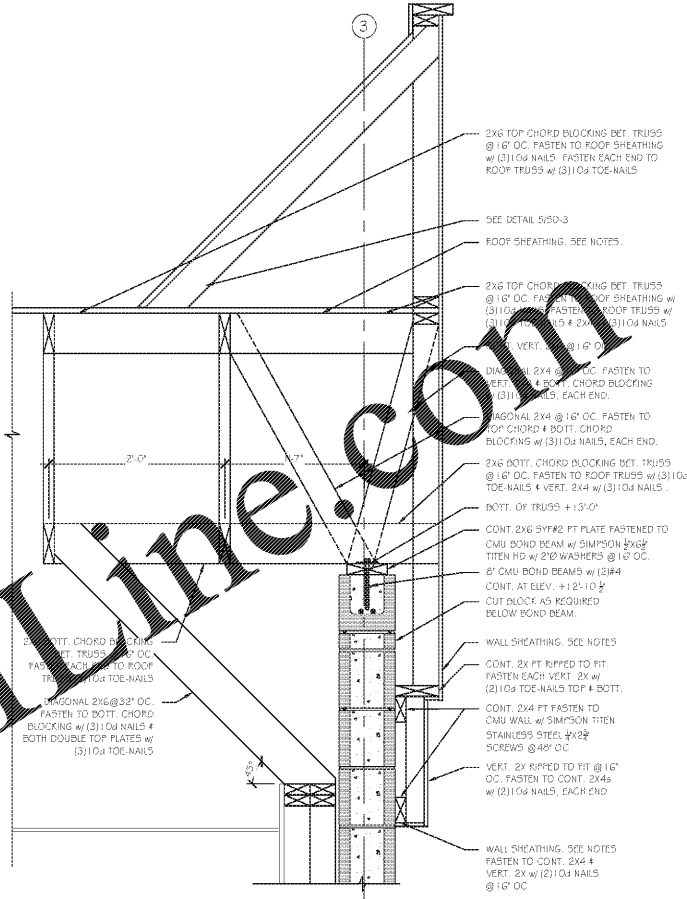
1 SECTION  
SD-5 SCALE: 1" = 1'-0"



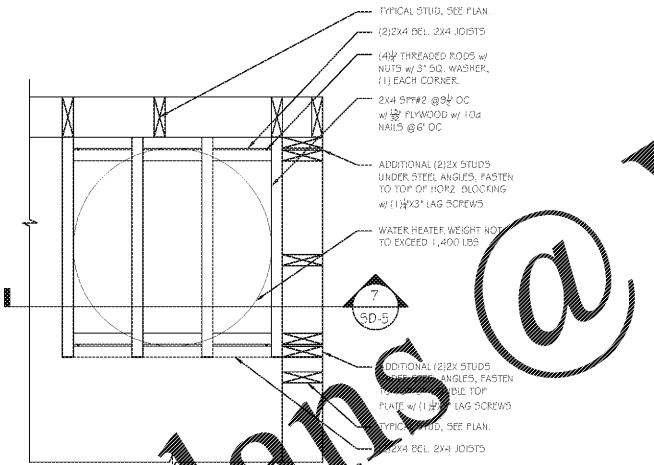
2 SECTION  
SD-5 SCALE: 1" = 1'-0"



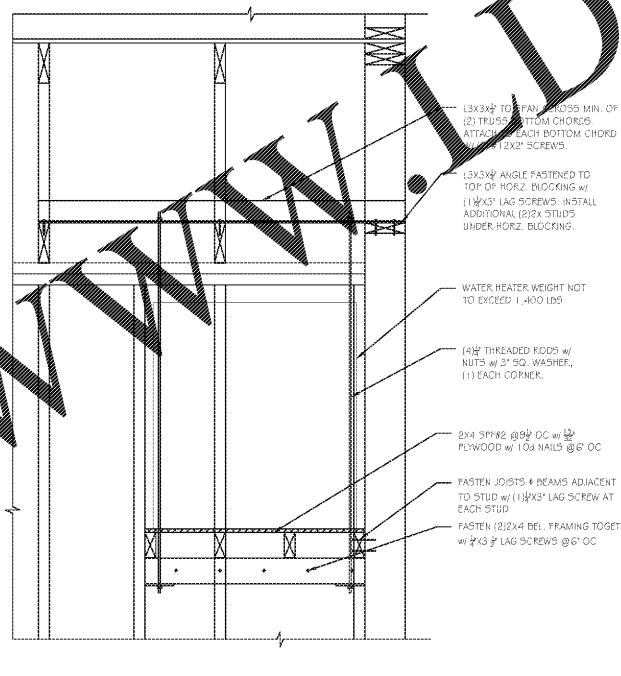
3 SECTION  
SD-5 SCALE: 1" = 1'-0"



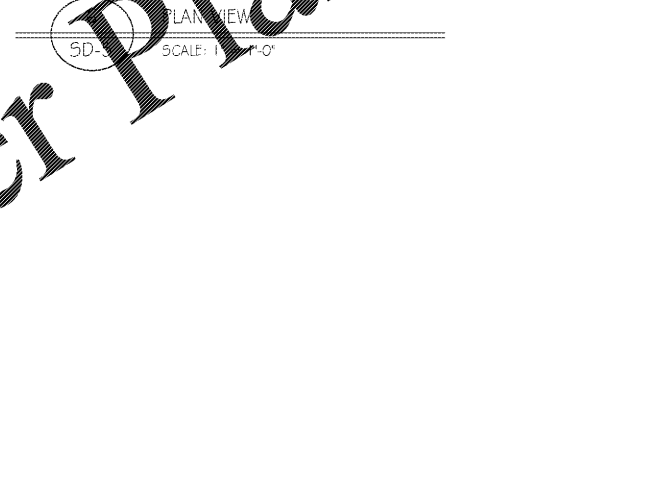
4 SECTION  
SD-5 SCALE: 1" = 1'-0"



5 PLAN VIEW  
SD-5 SCALE: 1" = 1'-0"

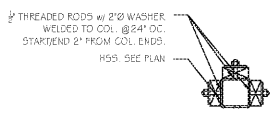


6 SECTION  
SD-5 SCALE: 1" = 1'-0"



7 SECTION  
SD-5 SCALE: 1" = 1'-0"

NOTE: DO NOT INSTALL BOLTS AT BEAM CONNECTIONS. SEE PLAN FOR BEAM ELEVATIONS.



5 PLAN VIEW  
SD-5 SCALE: 1" = 1'-0"

Order Plans @ [www.dline.com](http://www.dline.com)

**KOBLASZ & KENNISON**  
ENGINEERING, P.C.  
232 CREEKSTONE RIDGE WOODSTOCK, GA 30188  
404 | 860 | 2600

THESE DRAWINGS, DESIGNS, AND SPECIFICATIONS REPRESENTED ARE THE PROPERTY OF THE STRUCTURAL ENGINEER OF RECORD, AND MAY NOT BE REPRODUCED OR USED FOR CONSTRUCTION PURPOSES WITHOUT WRITTEN CONSENT. COPYRIGHT AS PER DRAWING DATE. BUILDER SHALL BE SOLELY RESPONSIBLE FOR ENSURING THAT THESE PLANS ARE ACCURATE AND THAT THE STRUCTURE IS CONSTRUCTED IN ACCORDANCE WITH ALL APPLICABLE BUILDING CODES. DIMENSIONS SHOULD BE READ OR CALCULATED AND NEVER SCALED. CONTRACTOR SHALL VERIFY ALL CONDITIONS AND DIMENSIONS AT THE SITE BEFORE BEGINNING CONSTRUCTION.

**HUDDLE HOUSE**  
EVO 2000 RESTAURANT  
40 US HWY 84 CAIRO, GA  
GRADY CO. 39828

SUBMITTALS:	
DATE	DESCRIPTION
04-18-2019	STRUCTURAL DESIGN 1502D

SHEET TITLE:  
**STRUCTURAL DETAILS**

JOB NUMBER: 19102  
ENGINEER: LHK  
CHECKED BY: LHK



SHEET NUMBER:  
**SD-5**