



JOB NO. L1905

NORWOOD ARCHITECTS  
807 Forest St. N.W.  
Atlanta, Georgia 30318  
ph: 678-921-0302 fax: 678-921-0301 www.norwoodarchitect.com

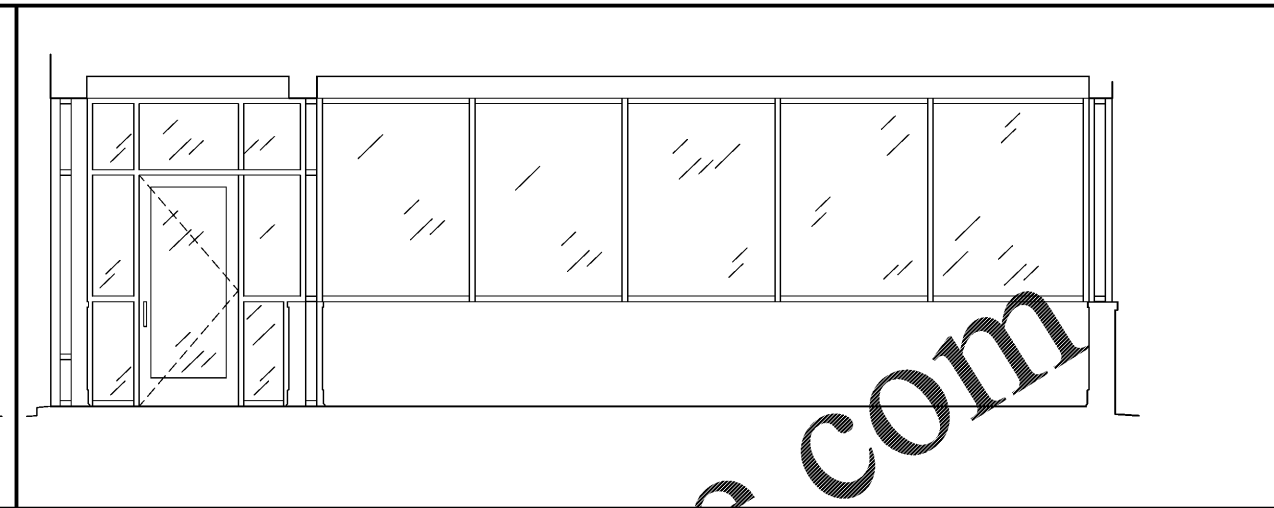
HUDDLE HOUSE  
EVO 2000 RESTAURANT  
40 US HWY 84 CAIRO, GA  
GRADY CO. 39828

NO.	ISSUE DATE
	PERMIT SET 04/15/2019

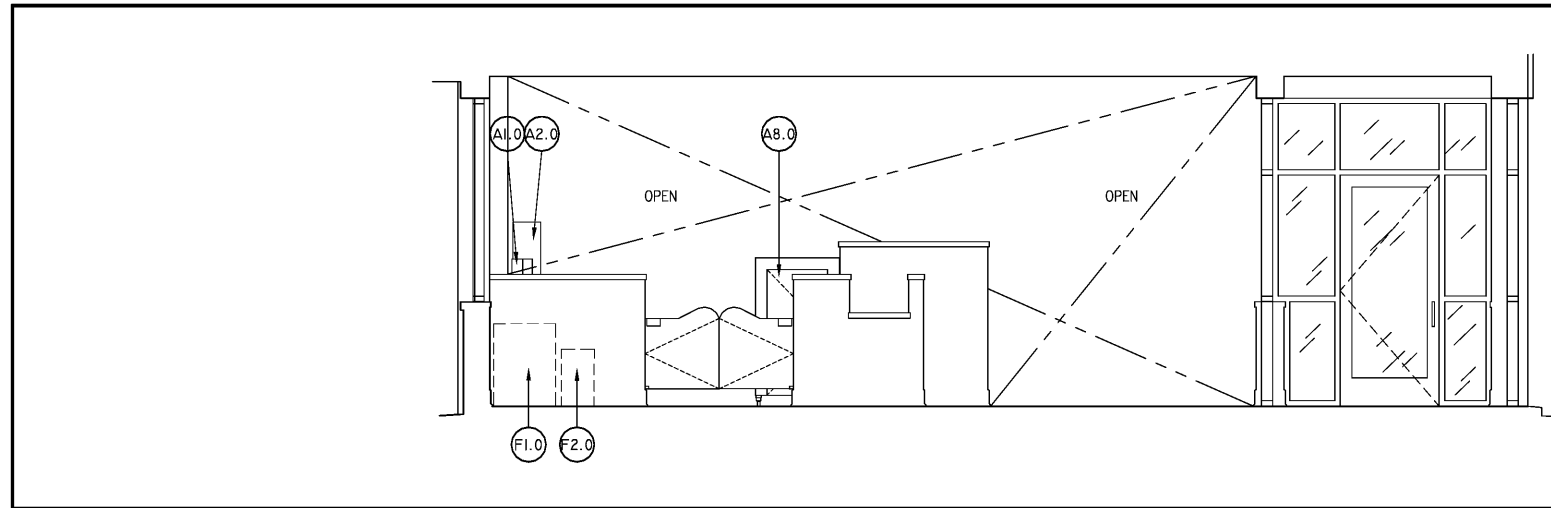
DRAWING NUMBER  
FOOD SERVICE EQUIP.  
ELEVATIONS

A703

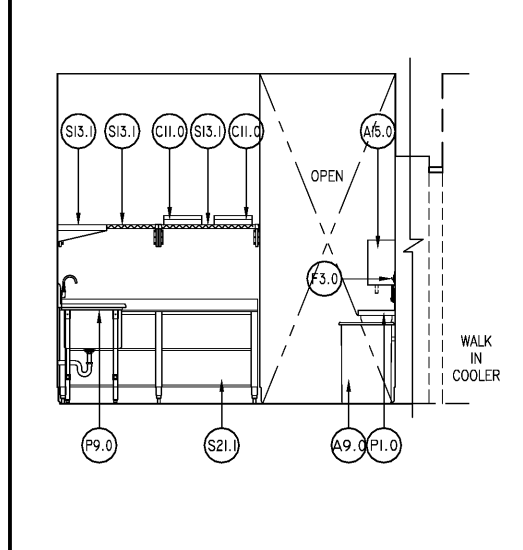
ISSUED FOR CONSTRUCTION



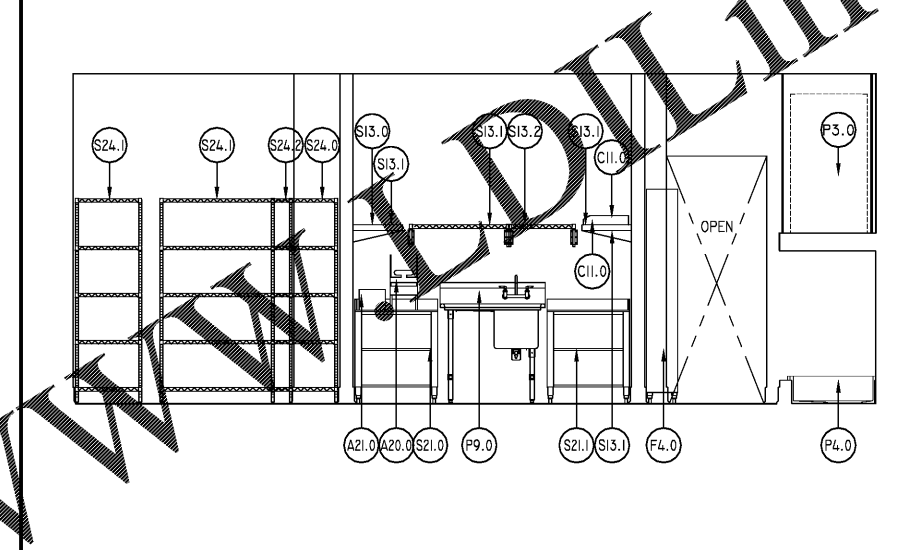
1 ENTRY / DINING VIEW WALL  
SCALE: 3/8"=1'-0"  
SEE 1/401 FOR INTERIOR FINISH ELEVATION



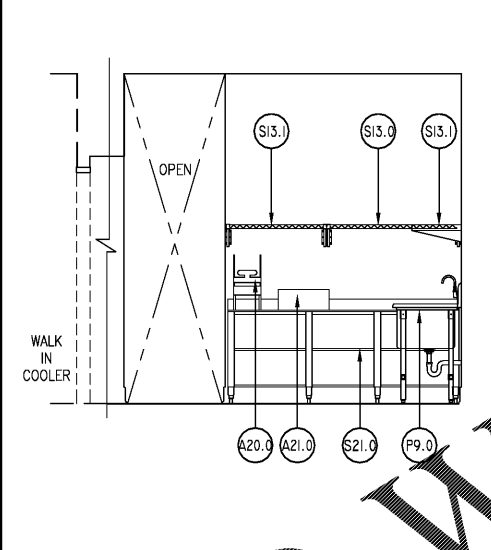
2 ENTRY / DINING CHECK OUT  
SCALE: 3/8"=1'-0"  
SEE 2/401 FOR INTERIOR FINISH ELEVATION



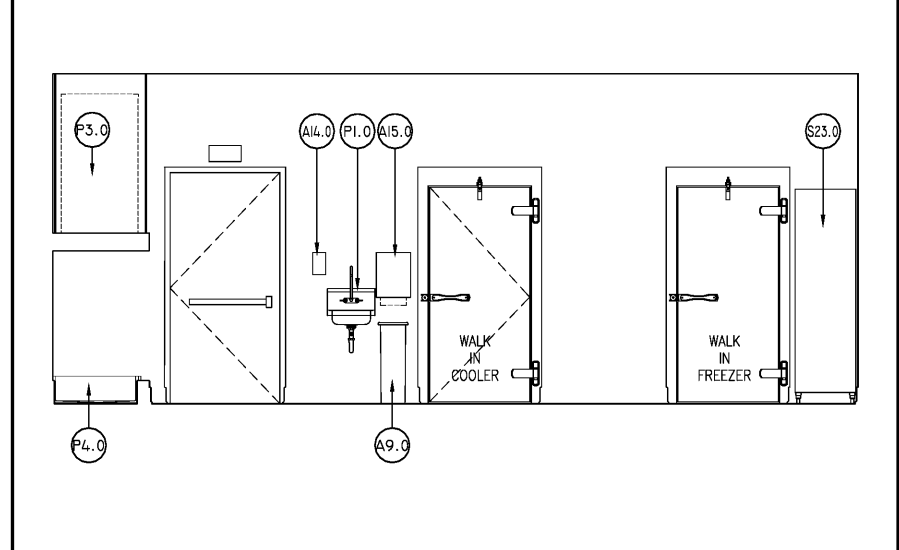
3 PREP WALL  
SCALE: 3/8"=1'-0"  
SEE 3/401 FOR INTERIOR FINISH ELEVATION



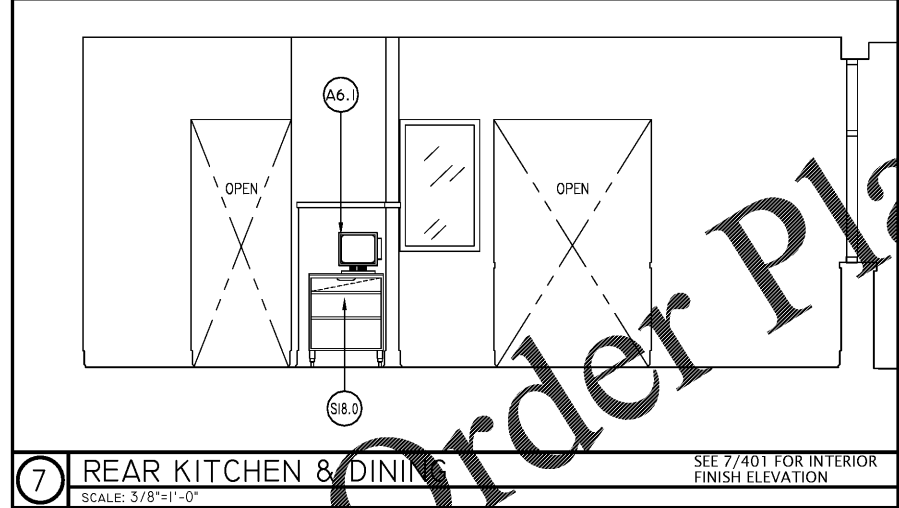
4 PREP TOWARD KITCHEN  
SCALE: 3/8"=1'-0"  
SEE 4/401 FOR INTERIOR FINISH ELEVATION



5 PREP WALL  
SCALE: 3/8"=1'-0"  
SEE 5/401 FOR INTERIOR FINISH ELEVATION



6 PREP TOWARD WALK INS  
SCALE: 3/8"=1'-0"  
SEE 6/401 FOR INTERIOR FINISH ELEVATION



7 REAR KITCHEN & DINING  
SCALE: 3/8"=1'-0"  
SEE 7/401 FOR INTERIOR FINISH ELEVATION

Order Plans @ WWW.WDOLINE.COM