



JOB NO. L1905

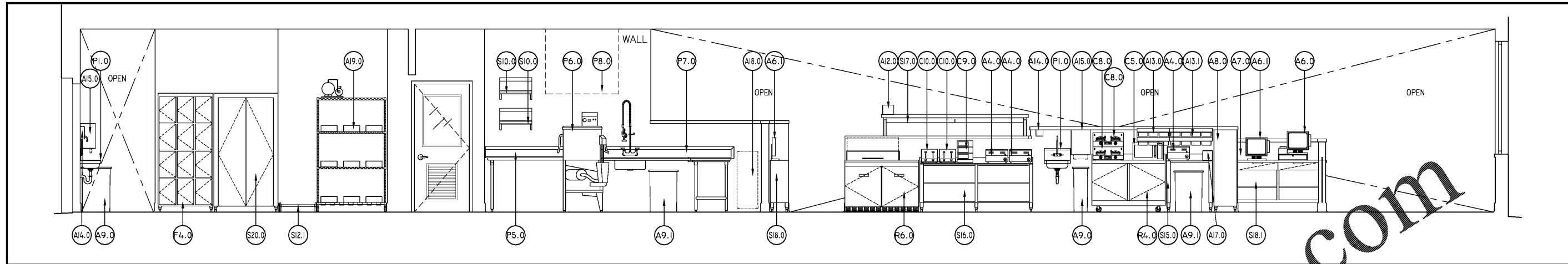
NORWOOD ARCHITECTS  
 807 FOREST ST. N.W.  
 ATLANTA, GEORGIA 30318  
 PH. 678-921-0302 FAX. 678-921-0301 WWW.NORWOODARCHITECTS.COM

HUDDLE HOUSE  
 EVO 2000 RESTAURANT  
 40 US HWY 84 CAIRO, GA  
 GRADY CO. 39828

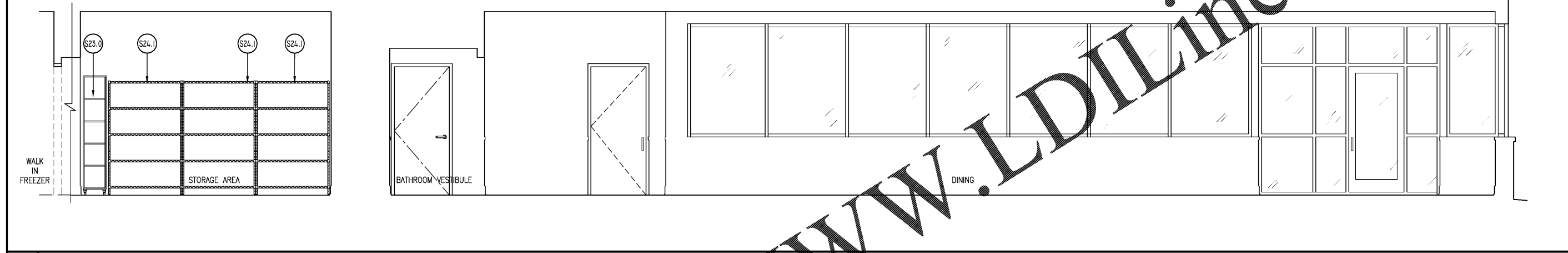
NO.	ISSUE DATE
1	PERMIT SET 04/15/2019

DRAWING NUMBER  
 FOOD SERVICE EQUIP. ELEVATIONS

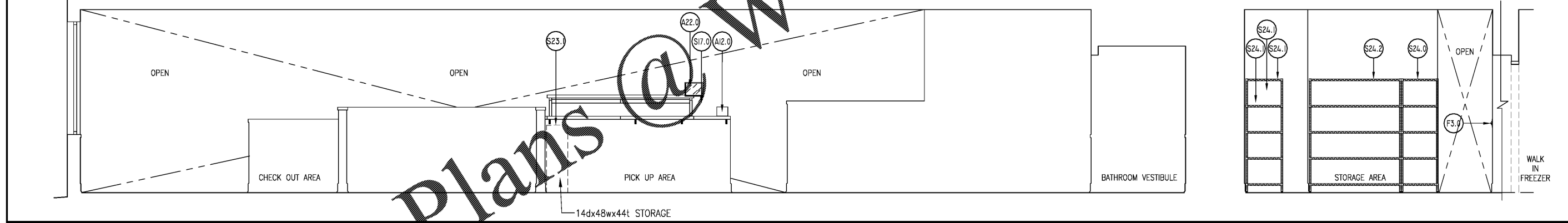
**A702**



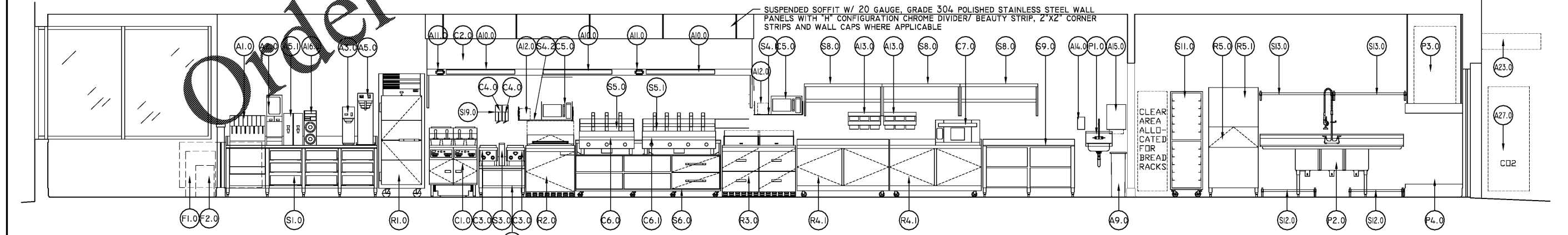
1 COOK LINE FRONT WALL  
 SCALE: 3/8"=1'-0"  
 SEE 1/400 FOR INTERIOR FINISH ELEVATION



2 DINING FRONT WALL  
 SCALE: 3/8"=1'-0"  
 SEE 2/400 FOR INTERIOR FINISH ELEVATION



3 DINING KITCHEN SIDE WALL  
 SCALE: 3/8"=1'-0"  
 SEE 3/400 FOR INTERIOR FINISH ELEVATION



4 COOK LINE REAR WALL  
 SCALE: 3/8"=1'-0"  
 SEE 4/400 FOR INTERIOR FINISH ELEVATION