



JOB NO. L1905

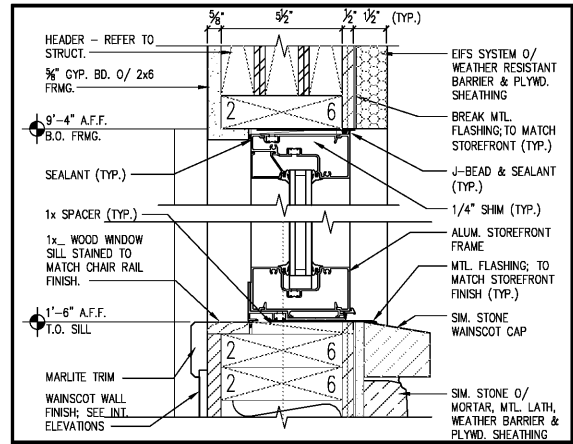
NORWOOD ARCHITECTS  
807 FORREST ST. N.W.  
ATLANTA, GEORGIA 30318  
PH: 478-921-0302 FAX: 478-921-0301 WWW.NORWOODARCHITECTS.COM

HUDDLE HOUSE  
EVO 2000 RESTAURANT  
40 US HWY 84 CAIRO, GA  
GRADY CO. 39828

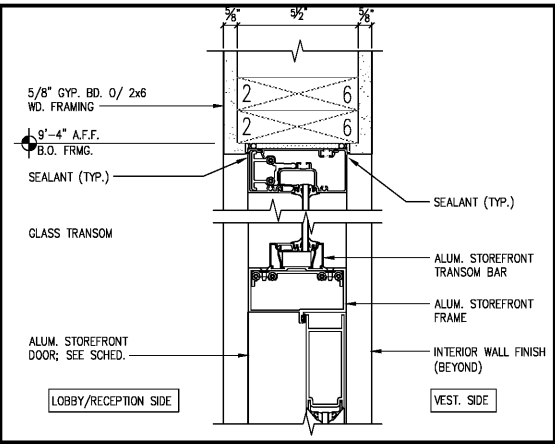
NO.	ISSUE DATE
	PERMIT SET 04/15/2019

DRAWING NUMBER  
**DOOR AND WINDOW DETAILS**

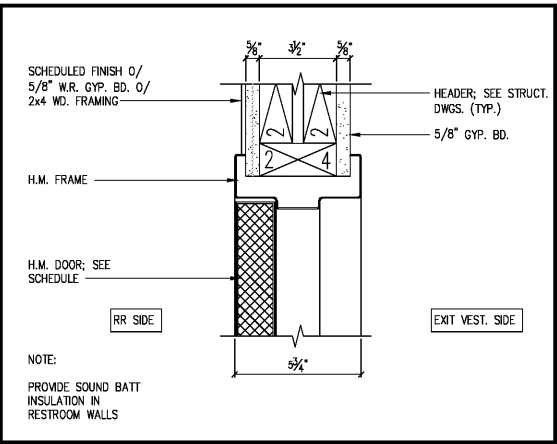
**A602**  
ISSUED FOR CONSTRUCTION



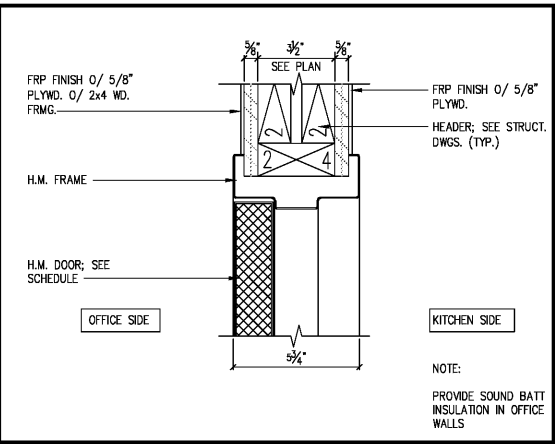
1 HEAD/SILL DETAIL WINDOW SCALE: 3"=1'-0"



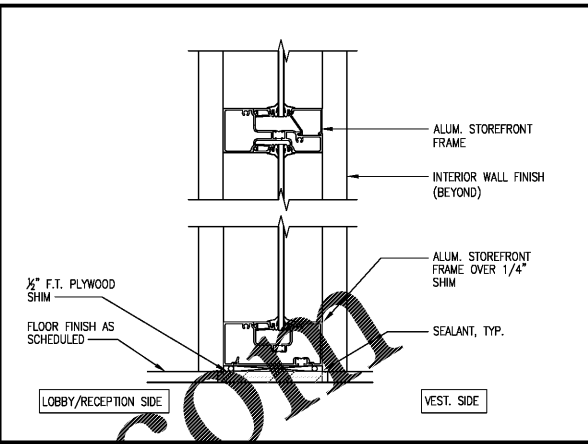
5 HEAD DETAIL DOOR TYPE "B" DOOR WINDOW SCALE: 3"=1'-0"



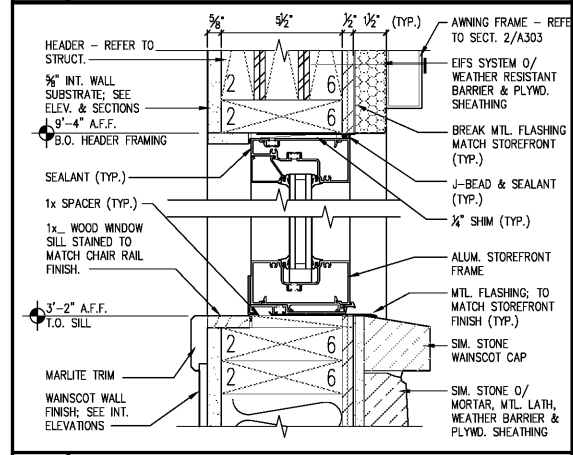
9 HEAD DETAIL DOOR TYPE "F" DOORS SCALE: 3"=1'-0"



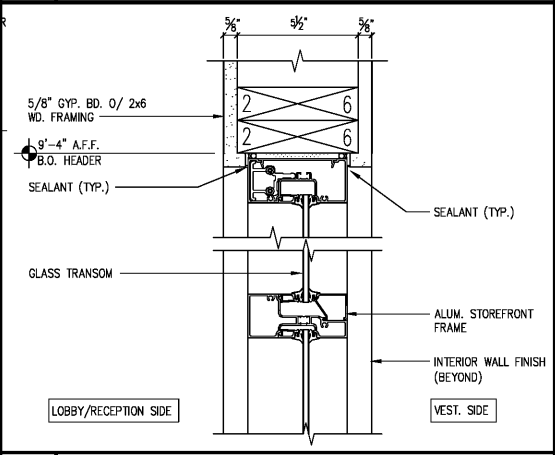
13 HEAD DETAIL DOOR TYPE "E" DOOR SCALE: 3"=1'-0"



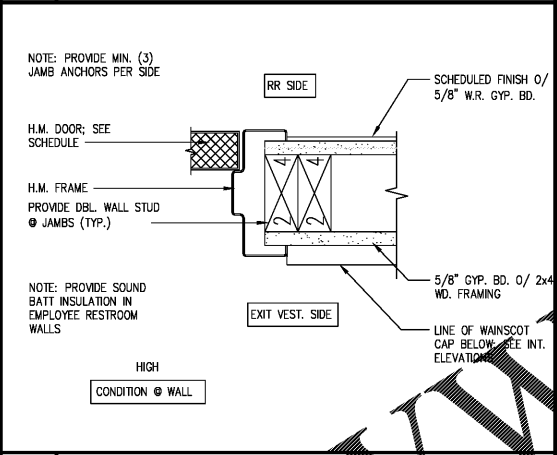
17 SILL DETAIL WINDOW SCALE: 3"=1'-0"



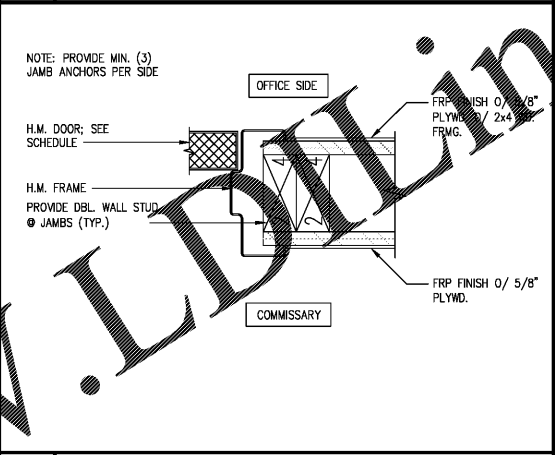
2 HEAD/SILL DETAIL WINDOWS SCALE: 3"=1'-0"



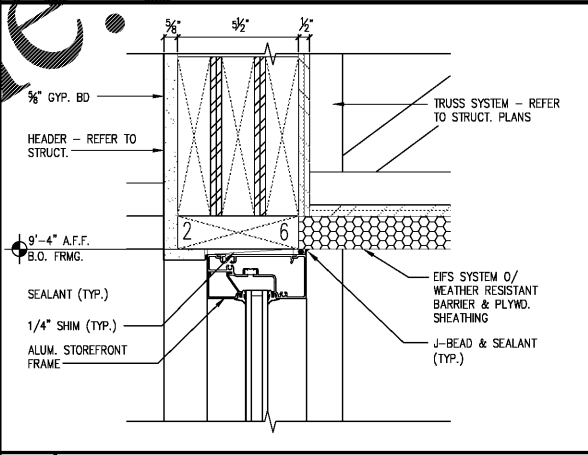
6 HEAD DETAIL WINDOW SCALE: 3"=1'-0"



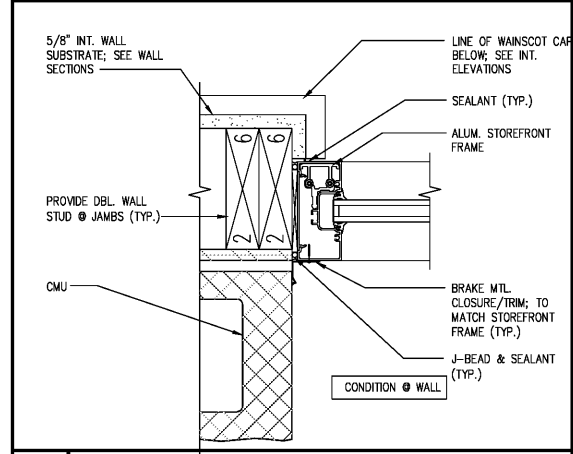
10 JAMB DETAIL DOOR TYPE "F" DOORS SCALE: 3"=1'-0"



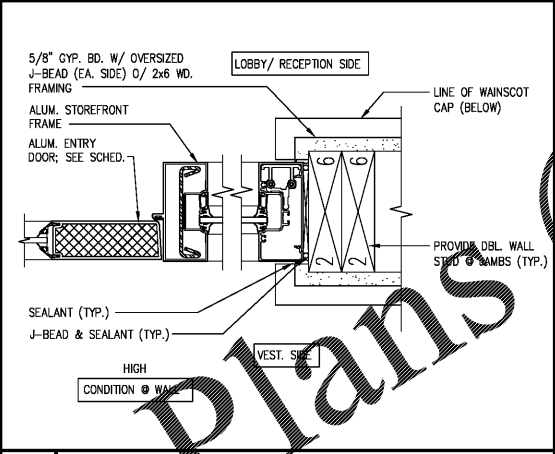
14 JAMB DETAIL DOOR TYPE "E" DOOR SCALE: 3"=1'-0"



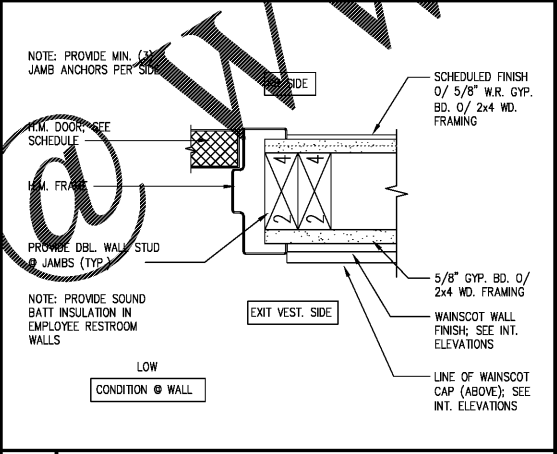
18 HEAD DETAIL WINDOW SCALE: 3"=1'-0"



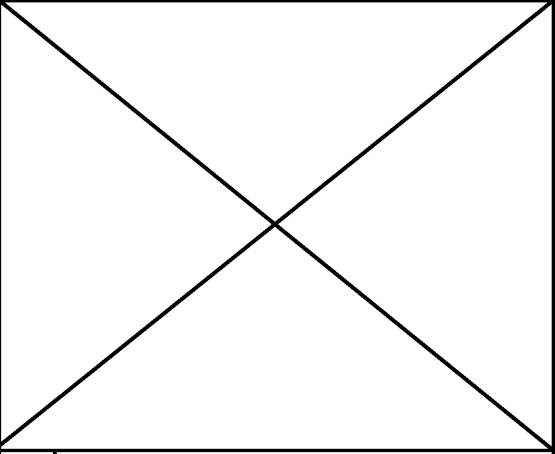
3 JAMB DETAIL WINDOWS SCALE: 3"=1'-0"



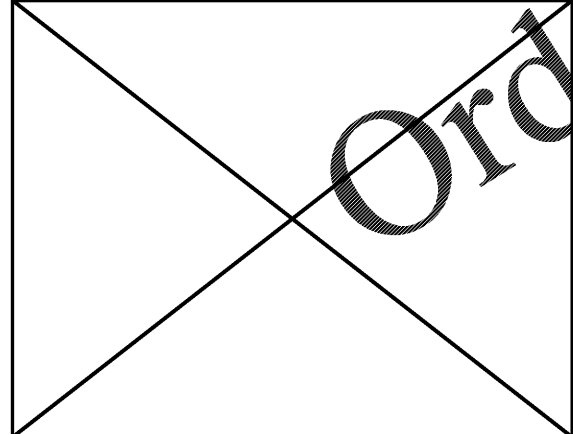
7 JAMB DETAIL DOOR TYPE "B" DOOR WINDOW SCALE: 3"=1'-0"



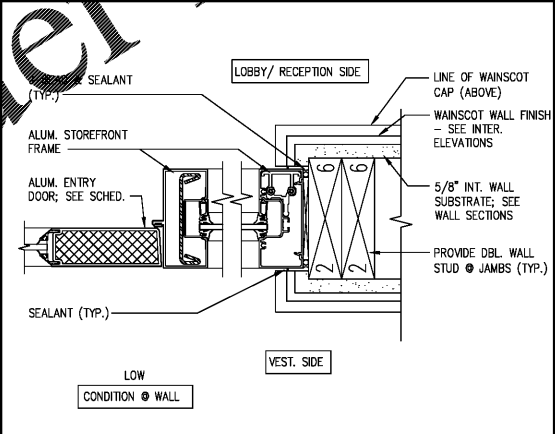
11 JAMB DETAIL DOOR TYPE "F" DOORS SCALE: 3"=1'-0"



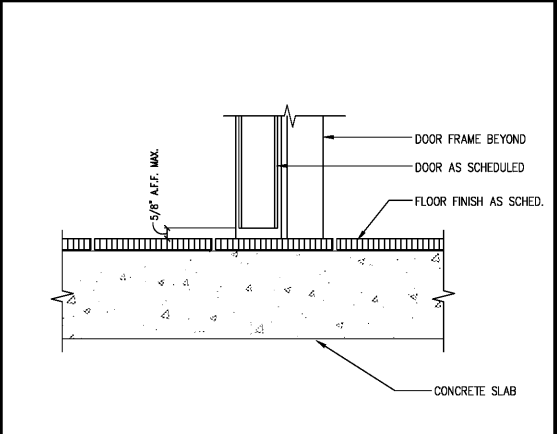
15 NOT USED SCALE: 3"=1'-0"



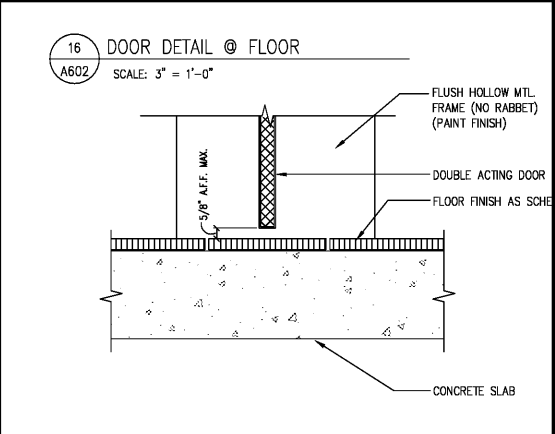
4 NOT USED SCALE: 3"=1'-0"



8 JAMB DETAIL DOOR TYPE "B" DOOR WINDOW SCALE: 3"=1'-0"



12 DOOR DETAIL @ FLOOR DOOR TYPES "B" & "F" DOORS SCALE: 3"=1'-0"



16 DOOR DETAIL @ FLOOR DOOR TYPE "G" DOOR SCALE: 3"=1'-0"

Order Plans

WWW.LDLINE.COM