



JOB NO. L1905

NORWOOD ARCHITECTS
807 Forsyth St. N.W.
Atlanta, Georgia 30318
ph: 678-921-0302 fax: 678-921-0301 www.norwoodarchitect.com

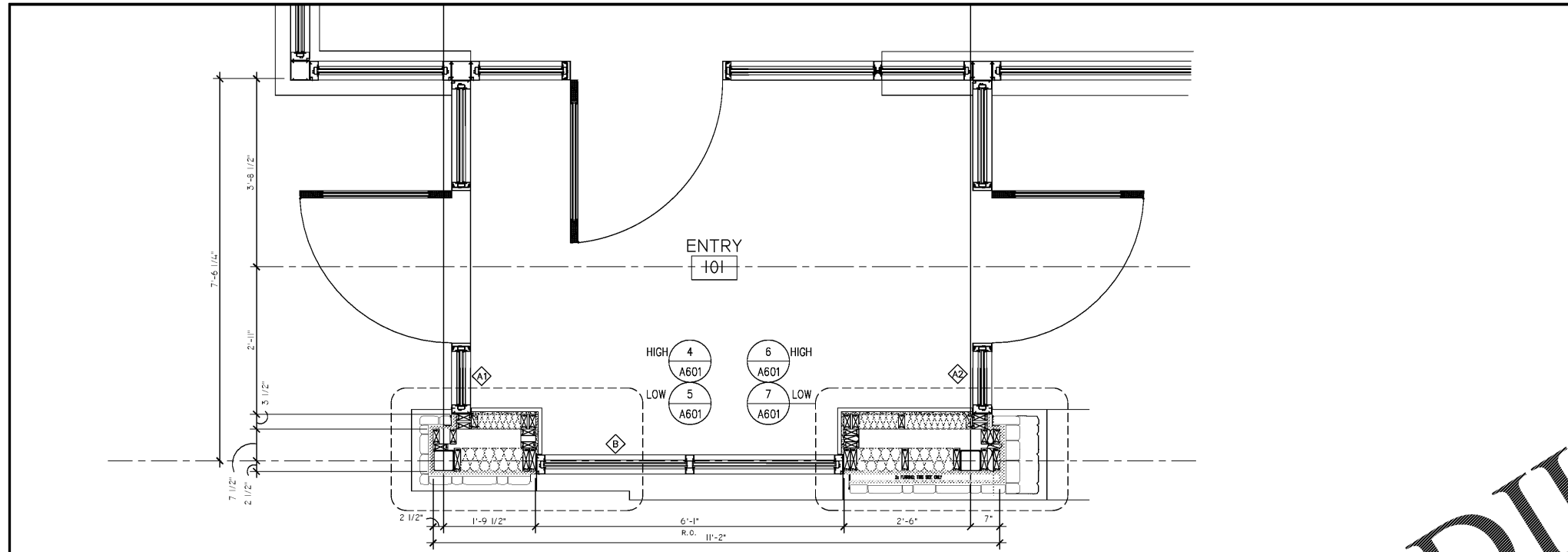
HUDDLE HOUSE
EVO 2000 RESTAURANT
40 US HWY 84 CAIRO, GA
GRADY CO. 39828

NO. ISSUE DATE

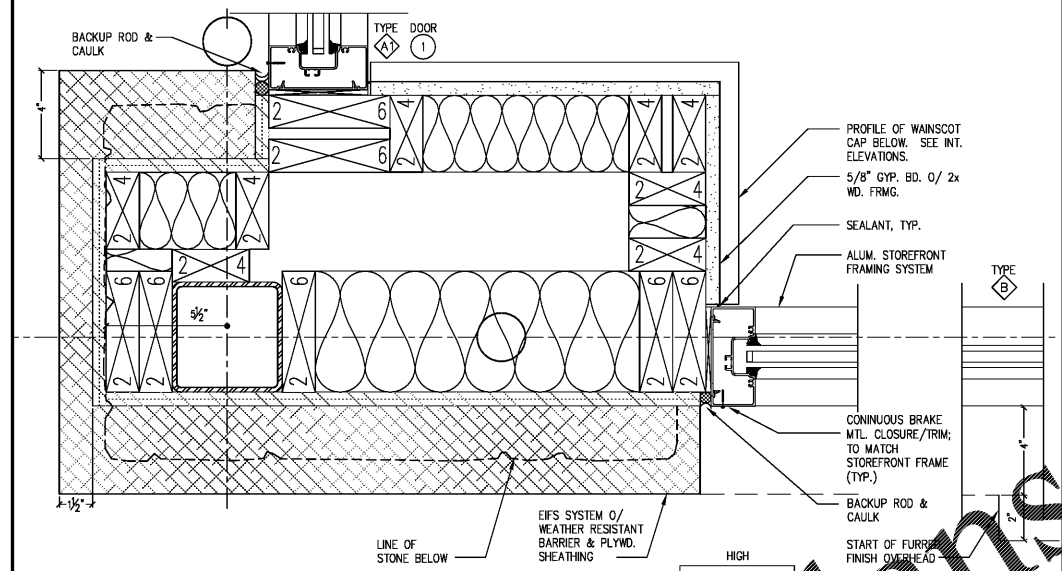
PERMIT SET
04/15/2019

DRAWING NUMBER
ENLRGD ENTRY
PLAN & EXTR.
DOOR DETLS.

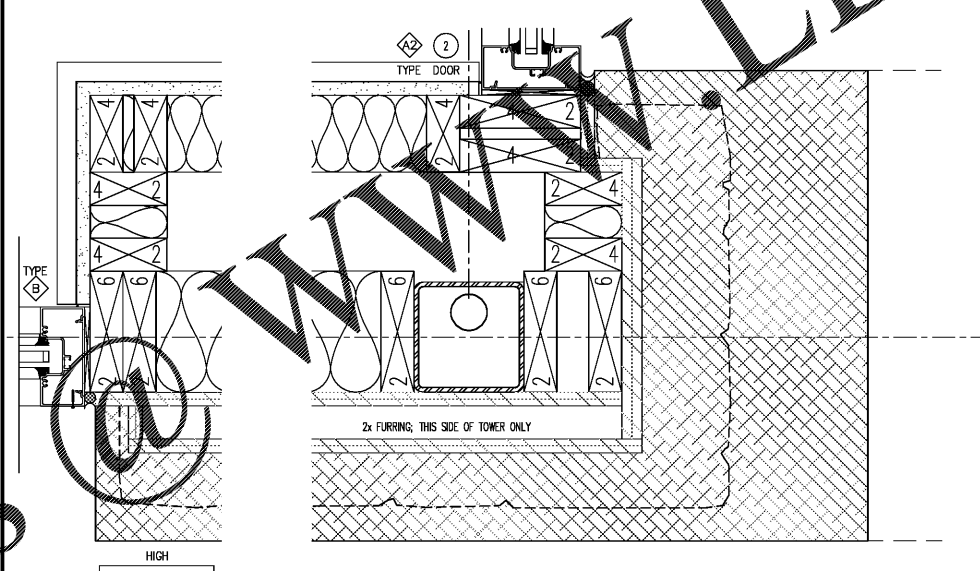
A601
ISSUED FOR CONSTRUCTION



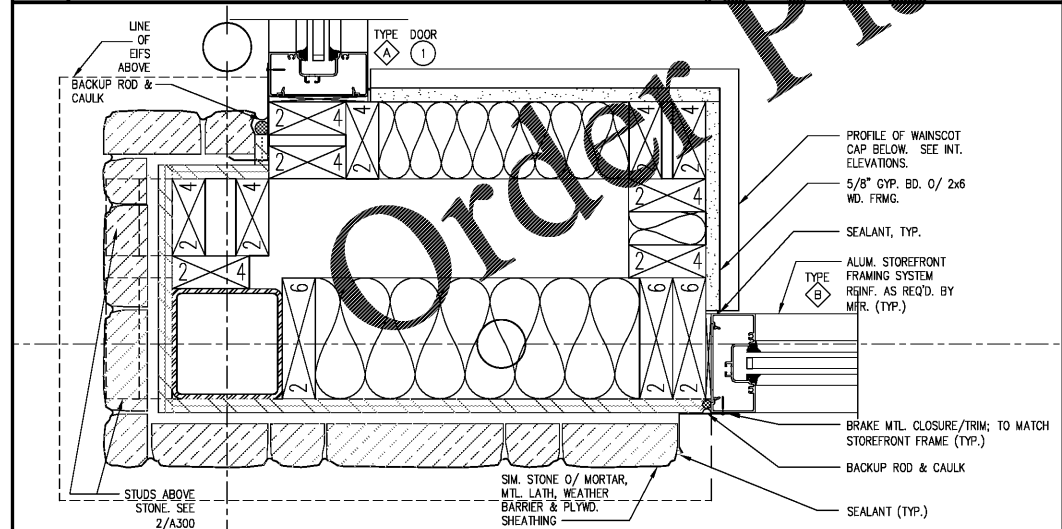
1 ENLARGED VESTIBULE PLAN
SCALE: 3/4"=1'-0"



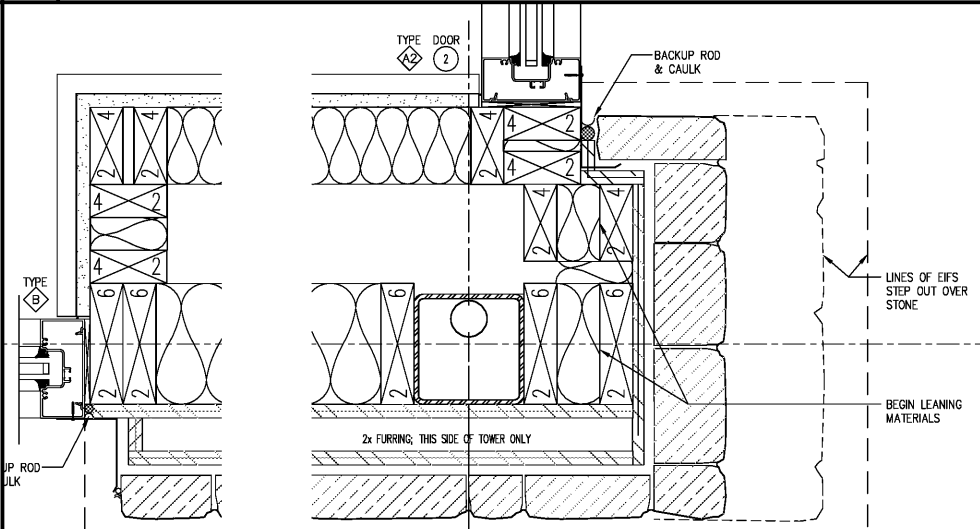
4 JAMB DETAIL
SCALE: 3/4"=1'-0"



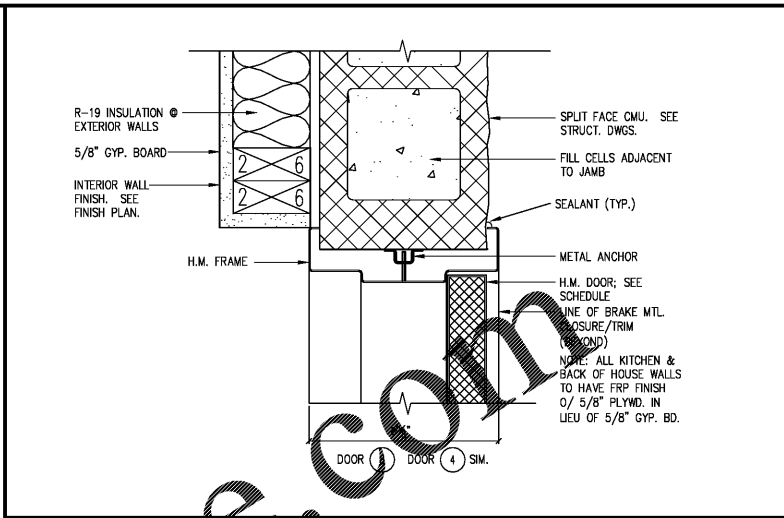
6 JAMB DETAIL
SCALE: 3/4"=1'-0"



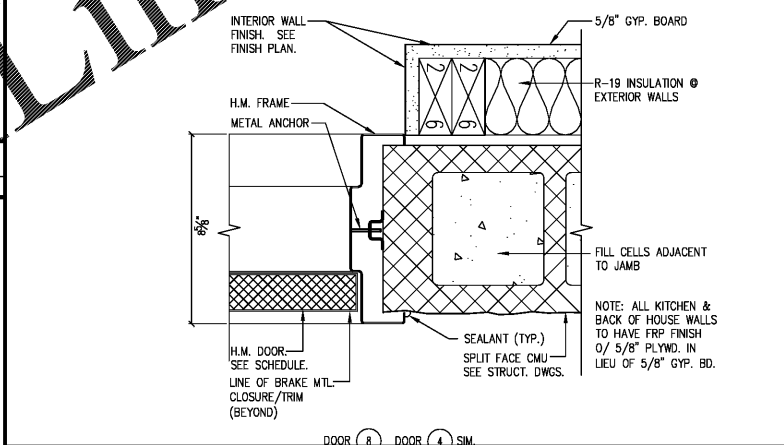
5 JAMB DETAIL
SCALE: 3/4"=1'-0"



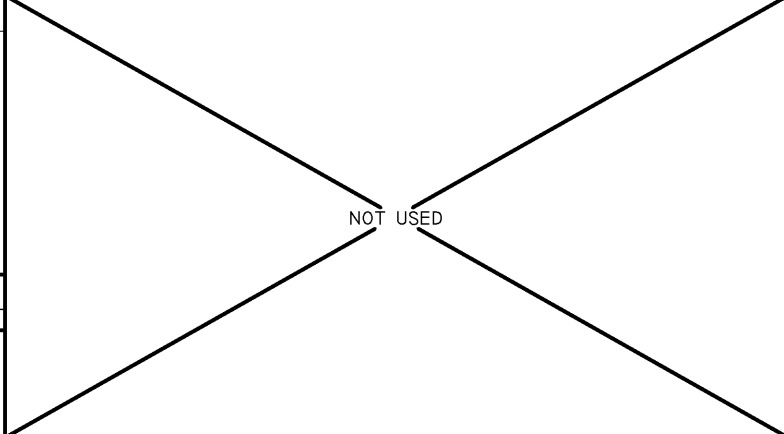
7 JAMB DETAIL
SCALE: 3/4"=1'-0"



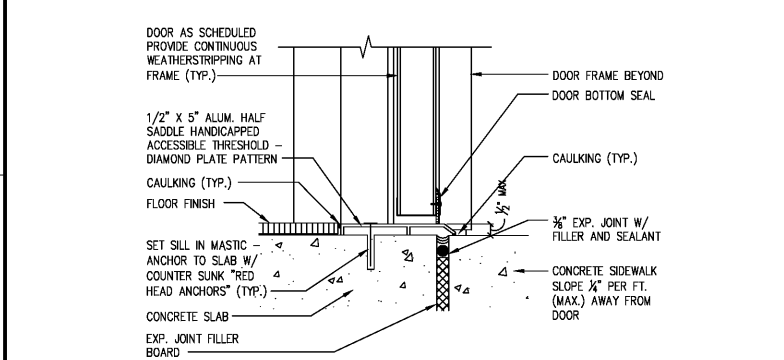
8 HEAD DETAIL
SCALE: 3/4"=1'-0"



9 JAMB DETAIL
SCALE: 3/4"=1'-0"



10 JAMB DETAIL
SCALE: 3/4"=1'-0"



11 TYP. THRESHOLD DETAIL
SCALE: 3/4"=1'-0"