

JOB NO. L1905

NORWOOD ARCHITECTS
807 IONESIA DRIVE, SUITE 100
DUBLIN, GEORGIA 30318
PH: 678-921-0302 FAX: 678-921-0301 WWW.NORWOODARCHITECTS.COM

HUDDLE HOUSE
EVO 2000 RESTAURANT
40 US HWY 84 CAIRO, GA
GRADY CO. 39828

NO. ISSUE DATE
PERMIT SET
04/15/2019

DRAWING NUMBER
ENLRGD RESTRM
PLAN, ELEV,
& MISC. DETAILS

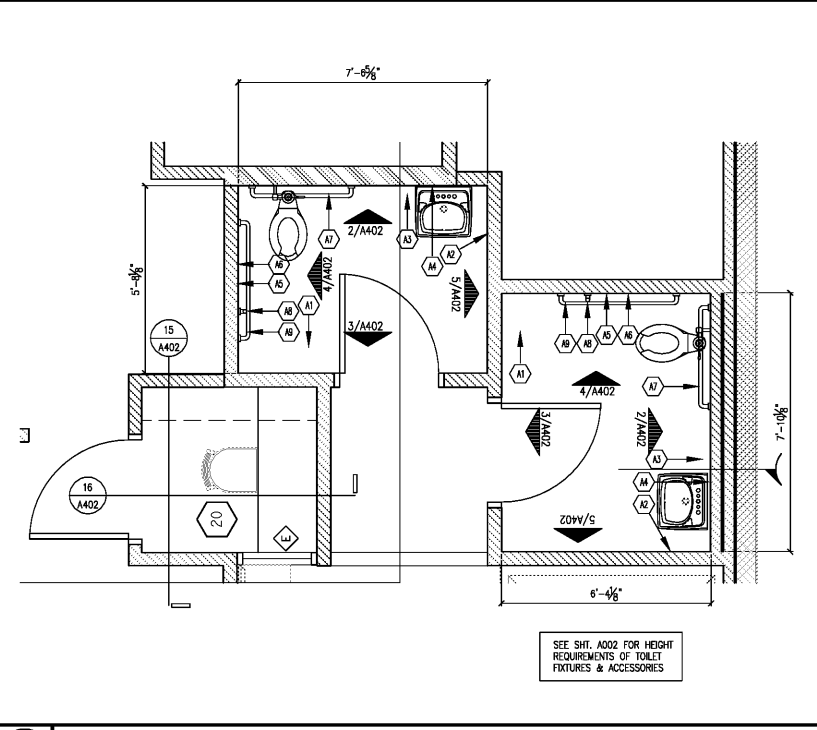
A402
ISSUED FOR CONSTRUCTION

GENERAL NOTES

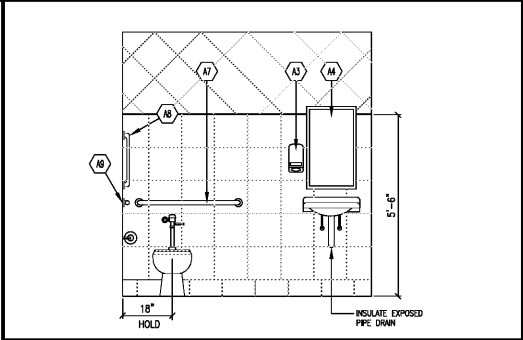
- ALL DIMENSIONS ARE FROM FINISH FACE TO FINISH FACE, U.N.O.
- SEE SHT. A100 FOR PARTITION TYPES
- SEE SHT. A402 FOR TOILET ROOM ACCESSORIES
- SEE SHT. A104 FOR LIGHT FIXTURE LOCATIONS; SEE ELECTRICAL FOR FIXTURE TYPE & REQUIREMENTS
- SEE SHT. A103 FOR DECOR PACKAGE & GRAPHIC WALL COVERING LOCATIONS
- SEE PLUMBING DRAWINGS FOR PLUMBING FIXTURE SPECIFICATIONS
- ALL PLUMBING FIXTURES ARE PROVIDED BY G.C. U.N.O.
- ALL PLUMBING FIXTURES, FAUCETS & ACCESSORIES TO BE ADA COMPLIANT
- ALL EXPOSED PIPING UNDER LAVATORIES TO BE INSULATED TO PROTECT CONTACT; THERE SHALL BE NO SHARP OR ABRASIVE SURFACES UNDER LAVATORIES
- G.C. TO PROVIDE PLYWOOD SHEET BLOCKING AT FULL HEIGHT PARTITIONS FOR ALL WALL MOUNTED EQUIPMENT & FIXTURES, DECOR & ACCESSORIES, U.N.O.; G.C. TO COORDINATE W/ VENDORS & SUPPLIERS, CUT SHEETS & INSTALLATION RECOMMENDATIONS PRIOR TO CONSTRUCTION OF WALL FINISH PLYWOOD TO EXTEND FROM 2'-0" A.F.F. TO 6" ABOVE CEILING

TOILET ACCESSORIES

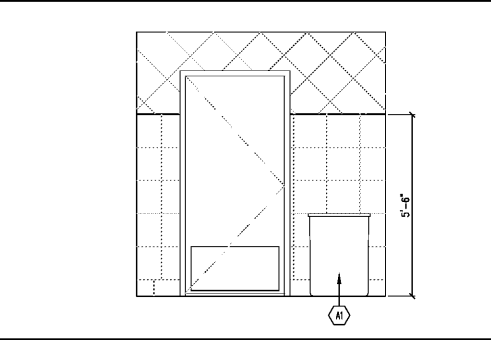
SYMBOL	DESCRIPTION
(AT)	TRASH CAN (NOT SHOWN ON PLAN FOR CLARITY); RUBBERMAD (DC), SLIM JIM GRAY, 12x30 W/ SWING TOP
(AD)	PAPER TOWEL DISPENSER
(AS)	WALL MOUNTED SOAP DISPENSER (36" MAXIMUM HEIGHT)
(AM)	MIRROR (BOTTOM OF REFLECTIVE SURFACE AT 40" MAXIMUM HEIGHT) STAINLESS STEEL CHANNEL FRAME MIRROR W/ THEFT RESISTANT SCREWS; BOBRICK, #8-16S-1830
(AP)	TOILET PAPER HOLDER
(AN)	SANITARY NAPKIN DISPOSAL
(AV)	36" x 1-1/4" x 1-1/2" STAINLESS STEEL GRAB BAR, #8-6006 (SURFACE MOUNTED); MOUNTED 1-1/2" FROM FINISHED WALL & 34-1/2" A.F.F. TO CENTERLINE; SEE INTERIOR ELEVATIONS
(AW)	4" DIA. x 1-1/2" STAINLESS STEEL GRAB BAR, #8-6006 (SURFACE MOUNTED); MOUNTED 1-1/2" FROM FINISHED WALL & 34-1/2" A.F.F. TO CENTERLINE; SEE INTERIOR ELEVATIONS
(AX)	KOALA VERTICAL STATION MODEL #K8101-00, SEE 15/A402 * SUPPLIED BY EQUIP. VENDOR, INSTALLED BY G.C.
(AY)	COAT HOOK, TO BE MOUNTED ON INSIDE OF EACH RESTROOM STALL DOOR @ 48" A.F.F. MAX.; BOBRICK #8-6717
(AZ)	SOLID PHENOLIC PARTITIONS ACCEPTABLE MANUFACTURERS AND MODELS: A. GENERAL PARTITIONS MANUFACTURING CORPORATION-SERIES 30 (FLOOR SUPPORTED) B. BOBRICK DURALINE SERIES-1081 (FLOOR SUPPORTED) C. MANUFACTURERS OF EQUIVALENT PRODUCTS SUBMITTED AND APPROVED BY OWNER COLOR: ALMOND



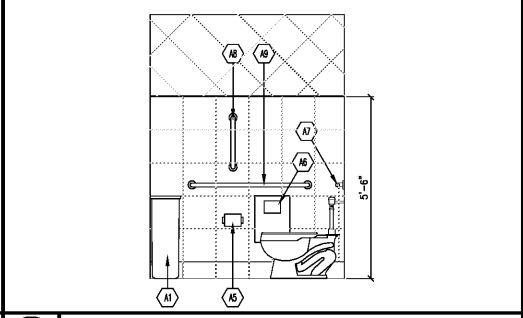
1 ENLARGED RESTROOM PLAN
SCALE: 3/8"=1'-0"



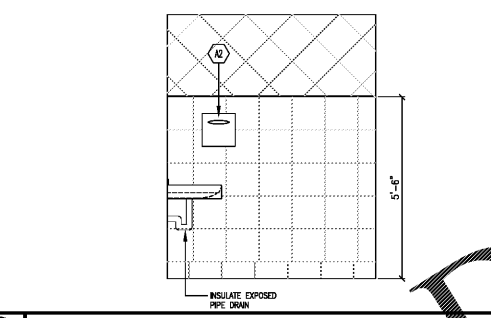
2 INTERIOR ELEVATION
SCALE: 3/8"=1'-0"



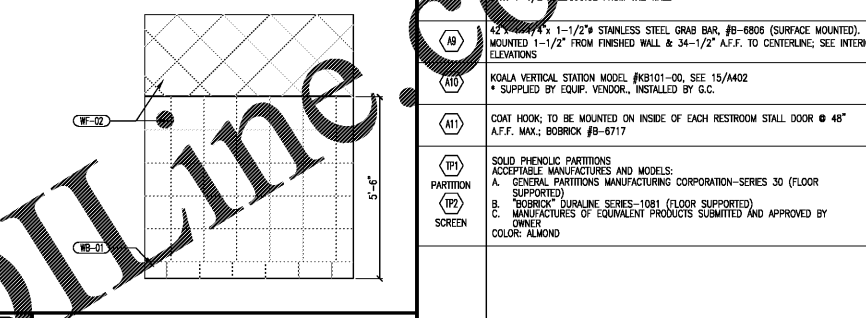
3 INTERIOR ELEVATION
SCALE: 3/8"=1'-0"



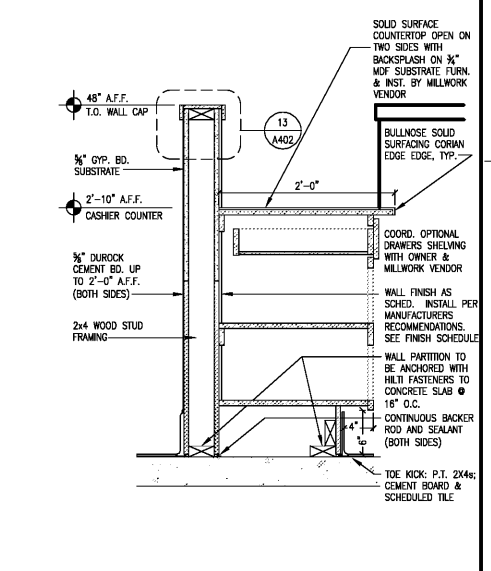
4 INTERIOR ELEVATION
SCALE: 3/8"=1'-0"



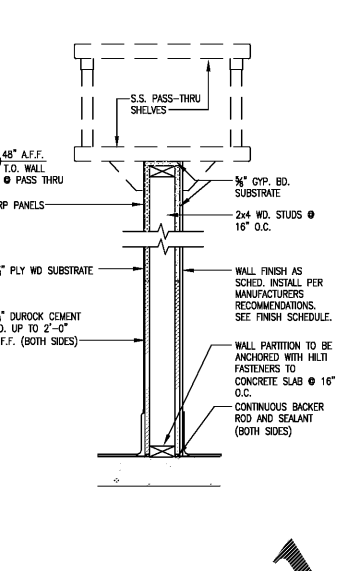
5 INTERIOR ELEVATION
SCALE: 3/8"=1'-0"



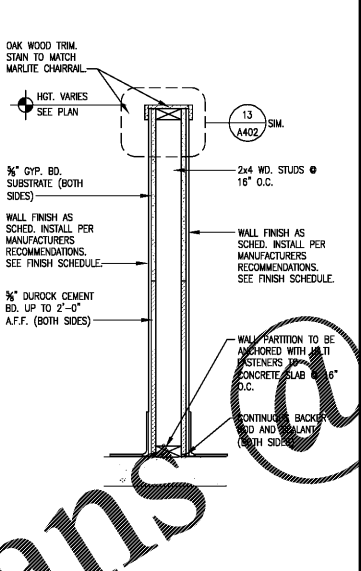
6 TYP. WALL TILE RESTROOM WALL
SCALE: 3/8"=1'-0"



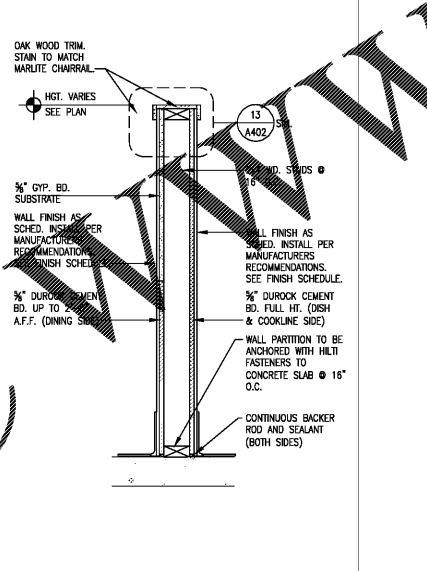
7 CASHIER COUNTER
SCALE:



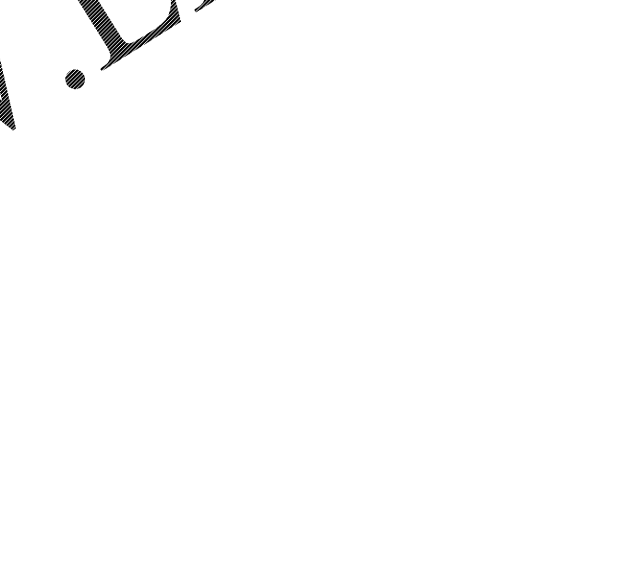
8 LOW WALL SECTION @ PASS-THRU
SCALE: 1"=1'-0"



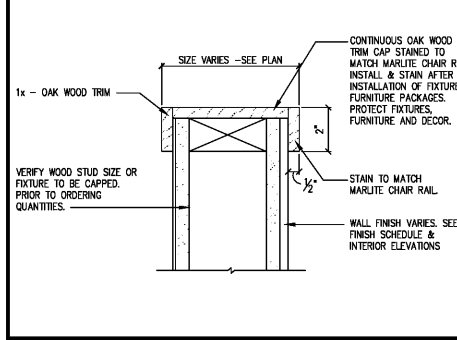
9 LOW WALL SECTION
SCALE: 1"=1'-0"



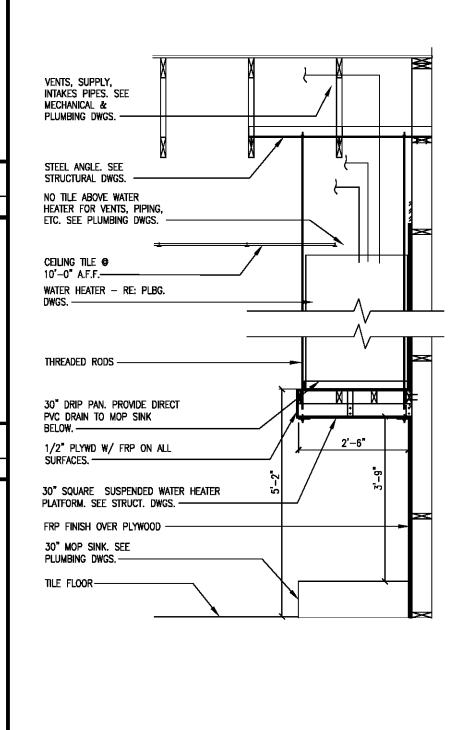
10 KITCH/DINING LOW WALL
SCALE: 1"=1'-0"



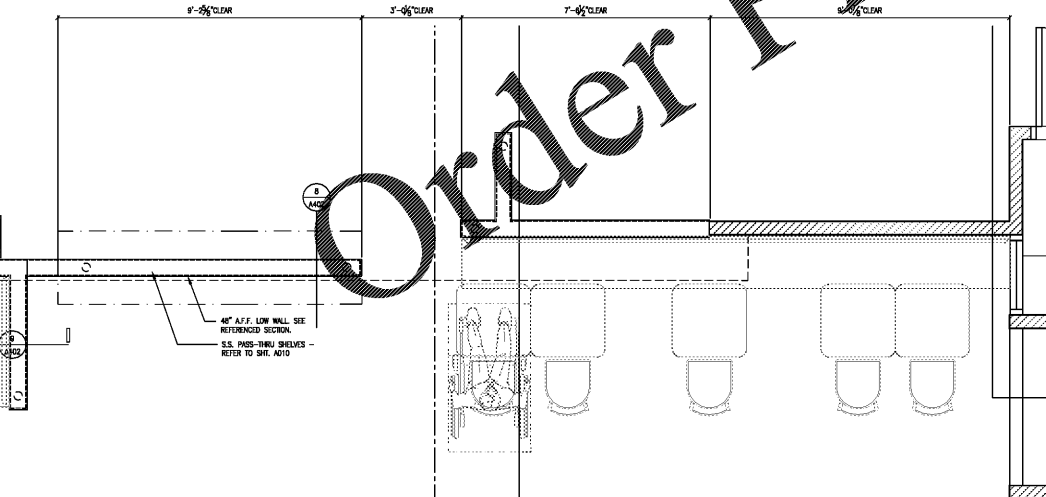
11 NOT USED
SCALE:



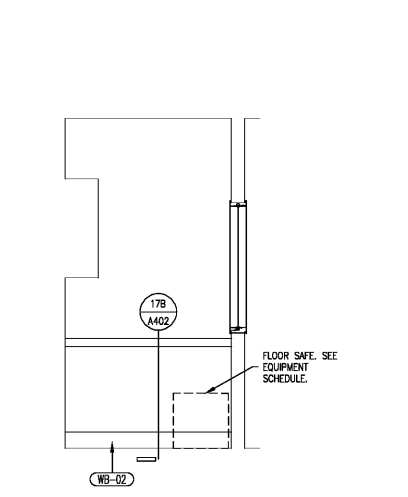
13 WALL TRIM CAP
SCALE: 3/4"=1'-0"



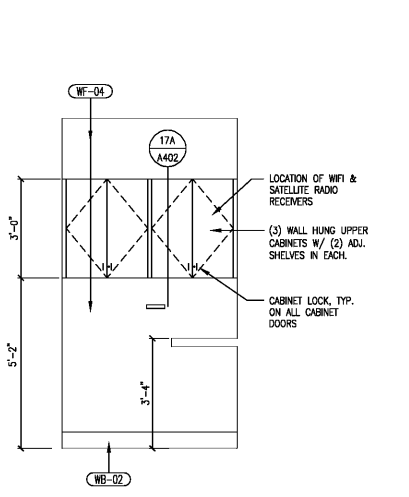
18 WATER HEATER DETAIL
SCALE: 1/2"=1'-0"



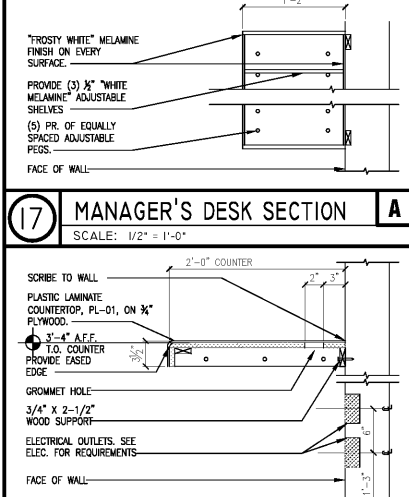
14 LOW WALL @ PASS-THRU DINING COUNTER
SCALE: 1/2"=1'-0"



15 MANAGER'S OFFICE SECTION
SCALE: 3/8"=1'-0"



16 MANAGER'S OFFICE SECTION
SCALE: 3/8"=1'-0"



17 MANAGER'S DESK SECTION
SCALE: 1/2"=1'-0"

Order Plans @ www.ljonline.com