



JOB NO. L1905

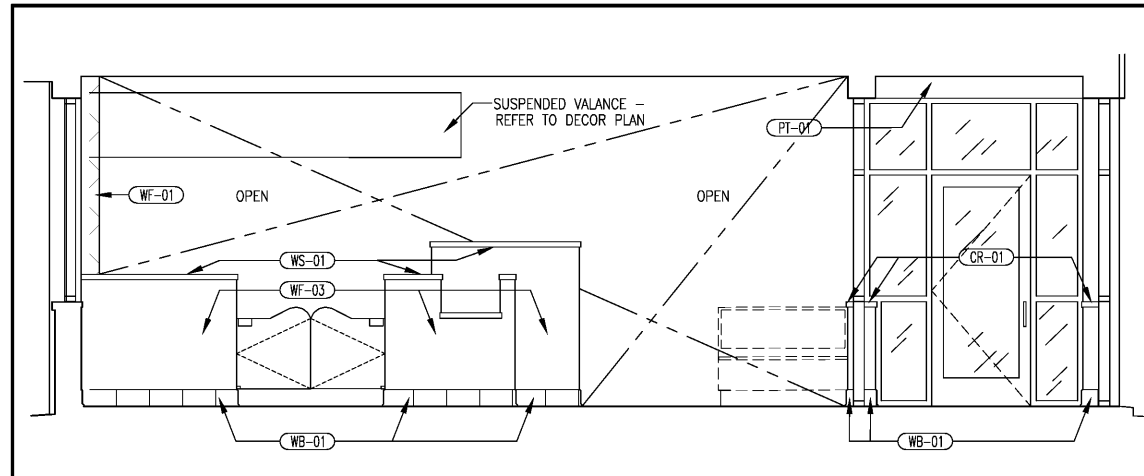
NORWOOD ARCHITECTS
807 FOREST ST. N.W.
ATLANTA, GEORGIA 30318
PH. 678-921-0302 FAX. 678-921-0301 WWW.NORWOODARCHITECTS.COM

HUDDLE HOUSE
EVO 2000 RESTAURANT
40 US HWY 84 CAIRO, GA
GRADY CO. 39828

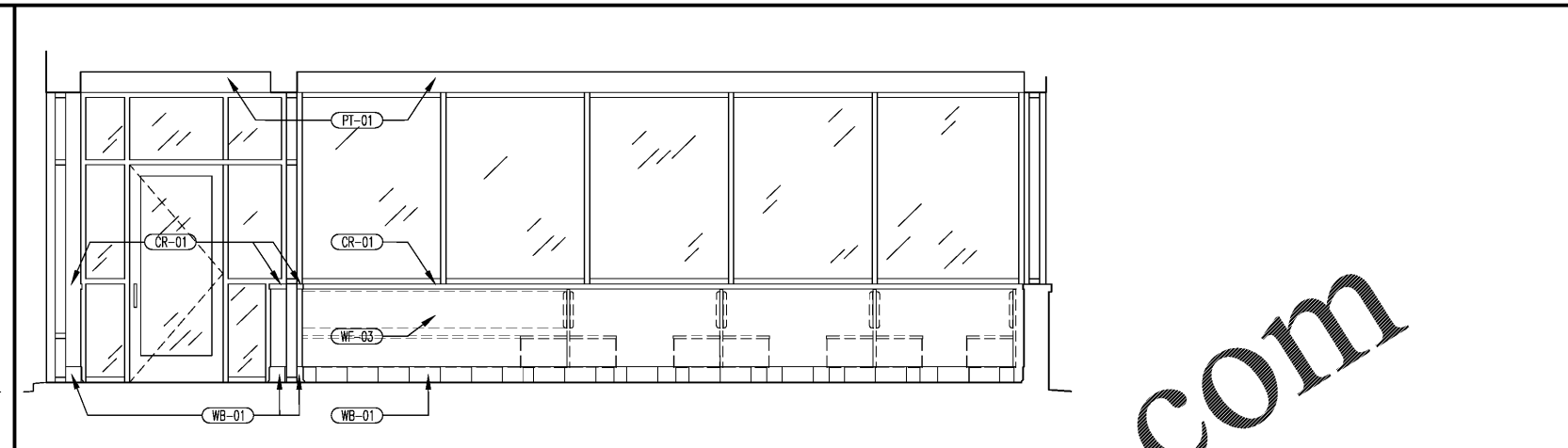
NO.	ISSUE DATE
	PERMIT SET 04/15/2019

DRAWING NUMBER
INT. FINISH
ELEVATIONS

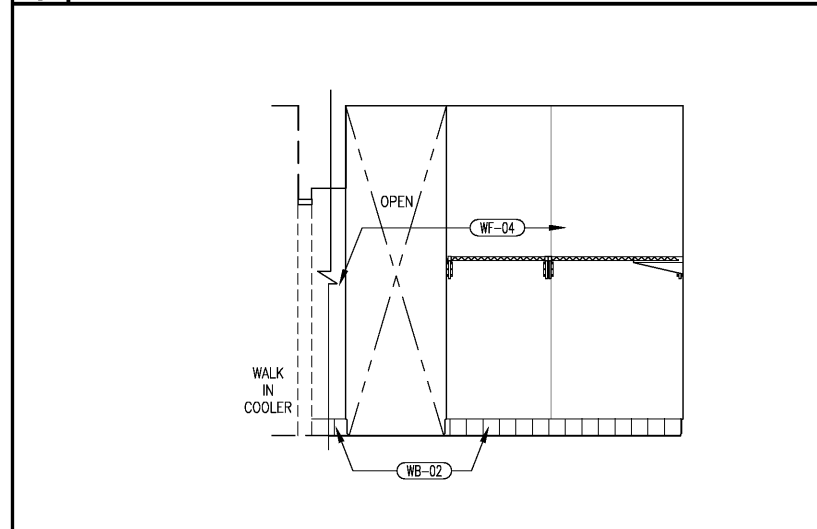
A401



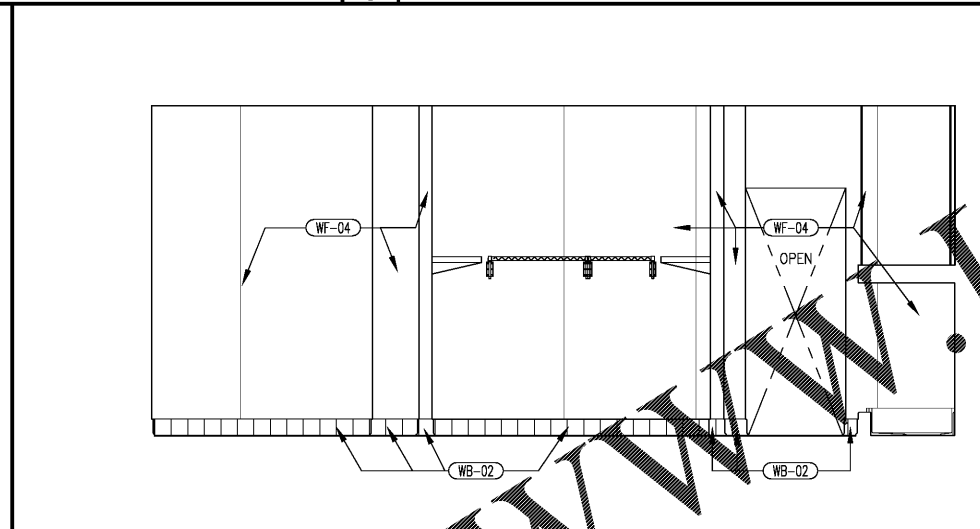
2 ENTRY / DINING CHECK OUT
SCALE: 3/8"=1'-0"
SEE 2/703 FOR FOOD SERVICE EQUIPMENT ELEVATION



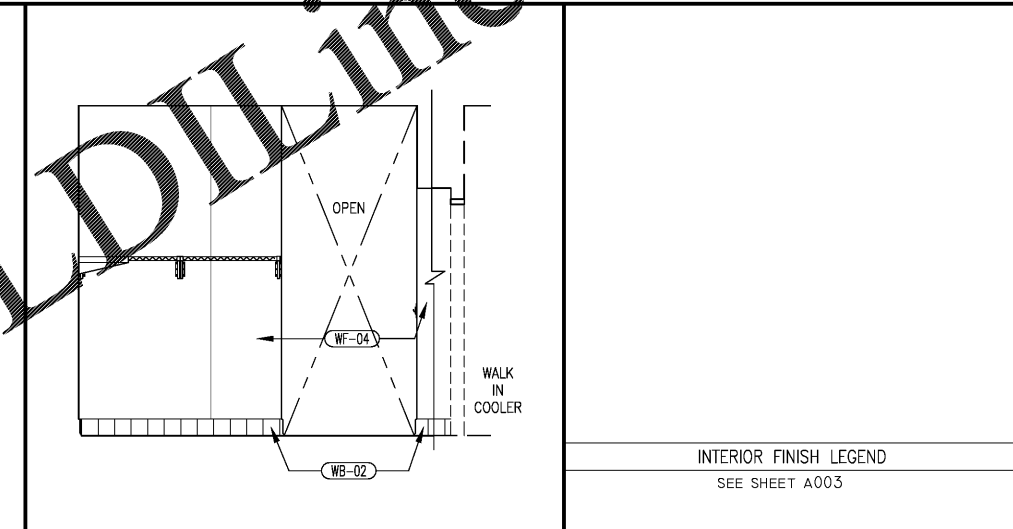
1 ENTRY / DINING VIEW WALL
SCALE: 3/8"=1'-0"
SEE 1/703 FOR FOOD SERVICE EQUIPMENT ELEVATION



5 PREP WALL
SCALE: 3/8"=1'-0"
SEE 5/703 FOR FOOD SERVICE EQUIPMENT ELEVATION

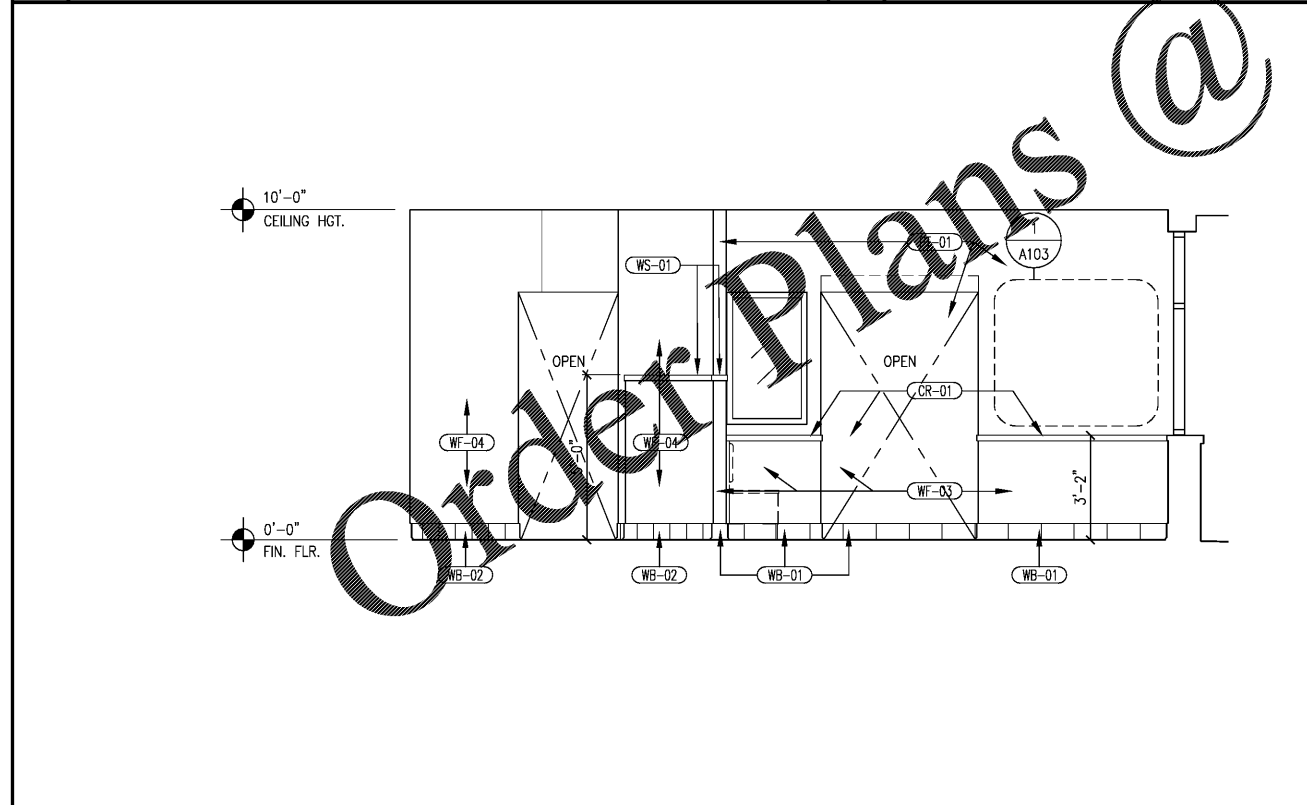


4 PREP TOWARD KITCHEN
SCALE: 3/8"=1'-0"
SEE 4/703 FOR FOOD SERVICE EQUIPMENT ELEVATION

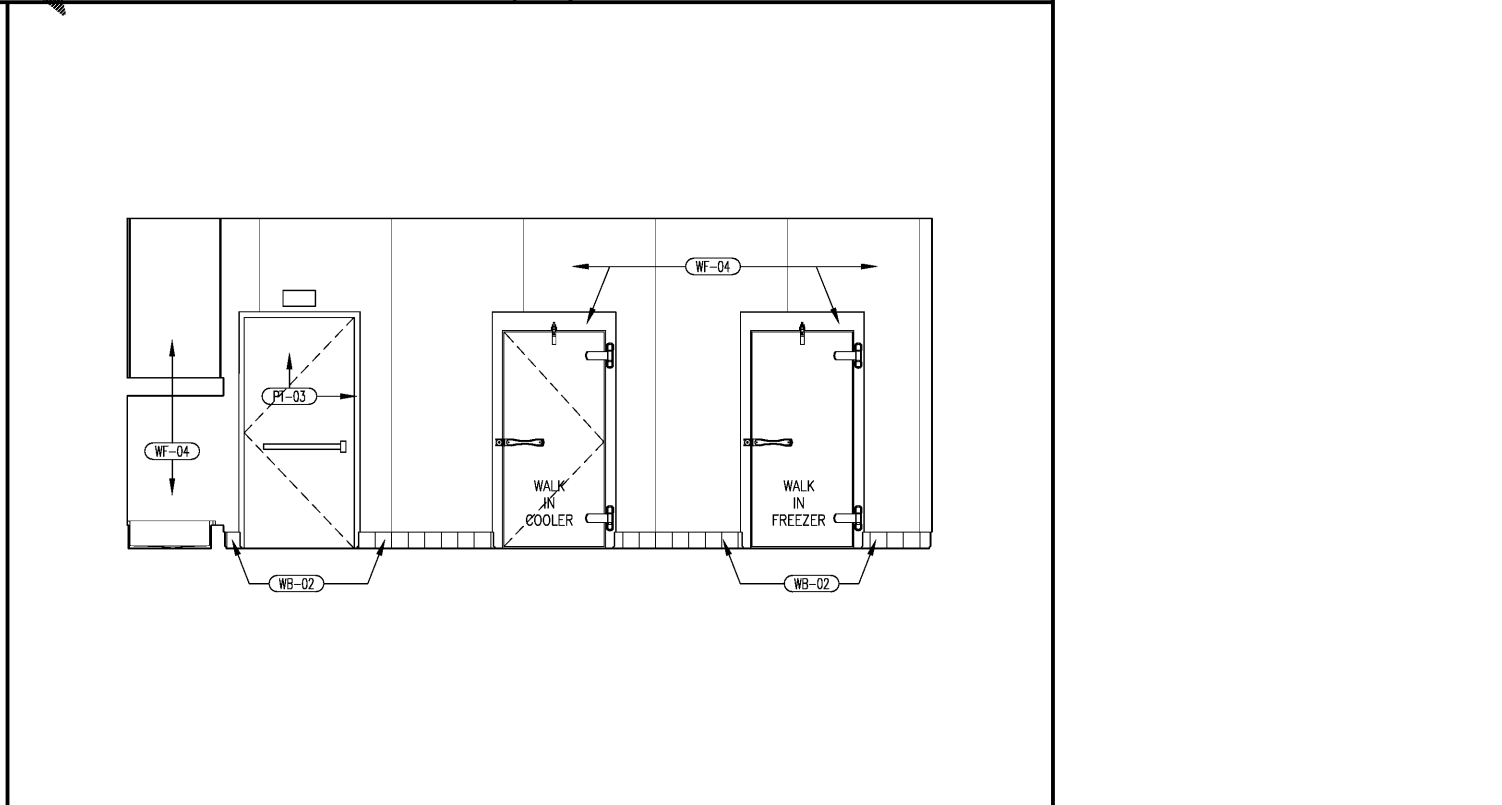


3 PREP WALL
SCALE: 3/8"=1'-0"
SEE 3/703 FOR FOOD SERVICE EQUIPMENT ELEVATION

INTERIOR FINISH LEGEND
SEE SHEET A003



7 REAR KITCHEN & DINING
SCALE: 3/8"=1'-0"
SEE 7/703 FOR FOOD SERVICE EQUIPMENT ELEVATION



6 PREP TOWARD WALK INS
SCALE: 3/8"=1'-0"
SEE 6/703 FOR FOOD SERVICE EQUIPMENT ELEVATION