

JOB NO. L1905

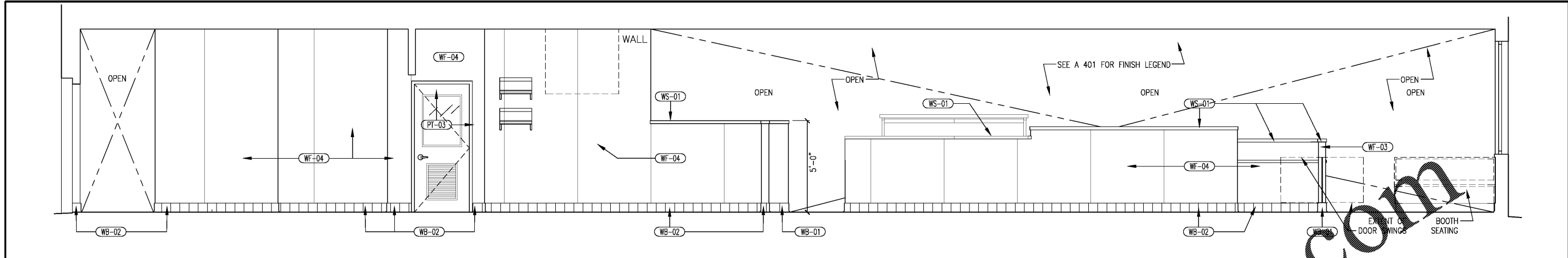
NORWOOD ARCHITECTS
807 FOREST ST. N.W.
ATLANTA, GEORGIA 30318
PH. 678-921-0802 FAX. 678-921-0301 WWW.NORWOODARCHITECTS.COM

HUDDLE HOUSE
EVO 2000 RESTAURANT
40 US HWY 84 CAIRO, GA
GRADY CO. 39828

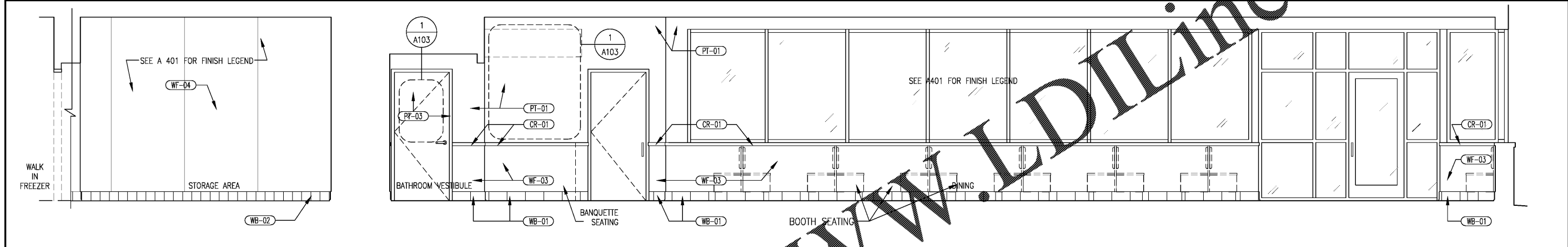
NO. ISSUE DATE
PERMIT SET
04/15/2019

DRAWING NUMBER
INT. FINISH
ELEVATIONS

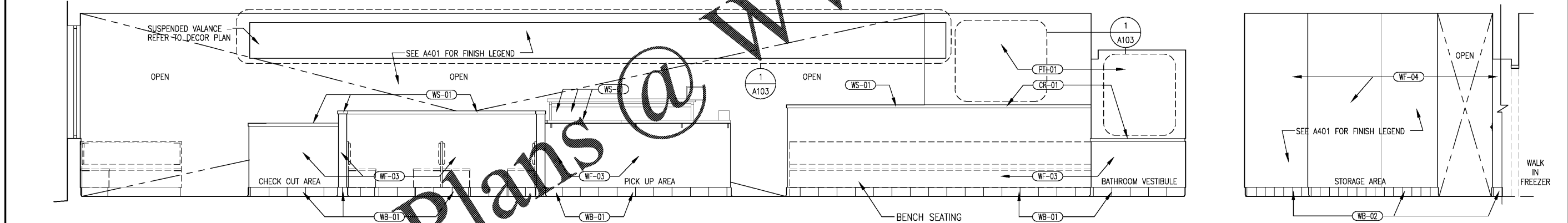
A400
ISSUED FOR CONSTRUCTION



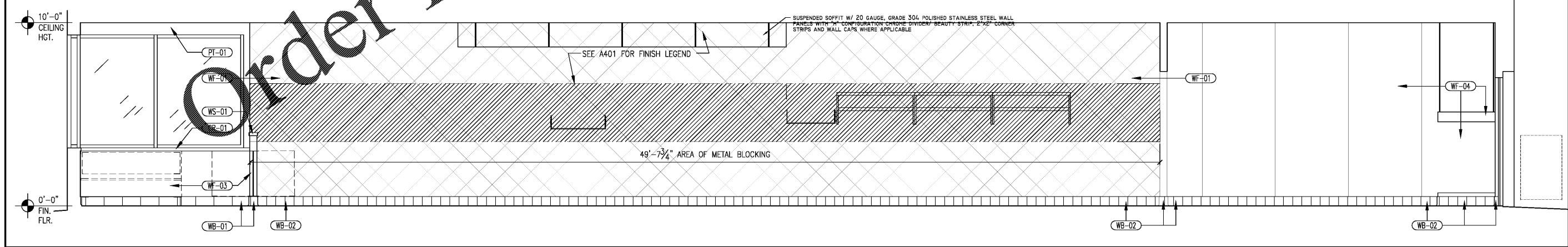
1 COOK LINE FRONT WALL
SCALE: 3/8"=1'-0"
SEE 1/702 FOR FOOD SERVICE EQUIPMENT ELEVATION



2 DINING FRONT WALL
SCALE: 3/8"=1'-0"
SEE 2/702 FOR FOOD SERVICE EQUIPMENT ELEVATION



3 DINING KITCHEN SIDE WALL
SCALE: 3/8"=1'-0"
SEE 3/702 FOR FOOD SERVICE EQUIPMENT ELEVATION



4 COOK LINE REAR WALL
SCALE: 3/8"=1'-0"
SEE 4/702 FOR FOOD SERVICE EQUIPMENT ELEVATION