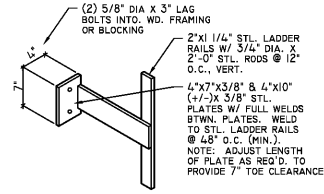
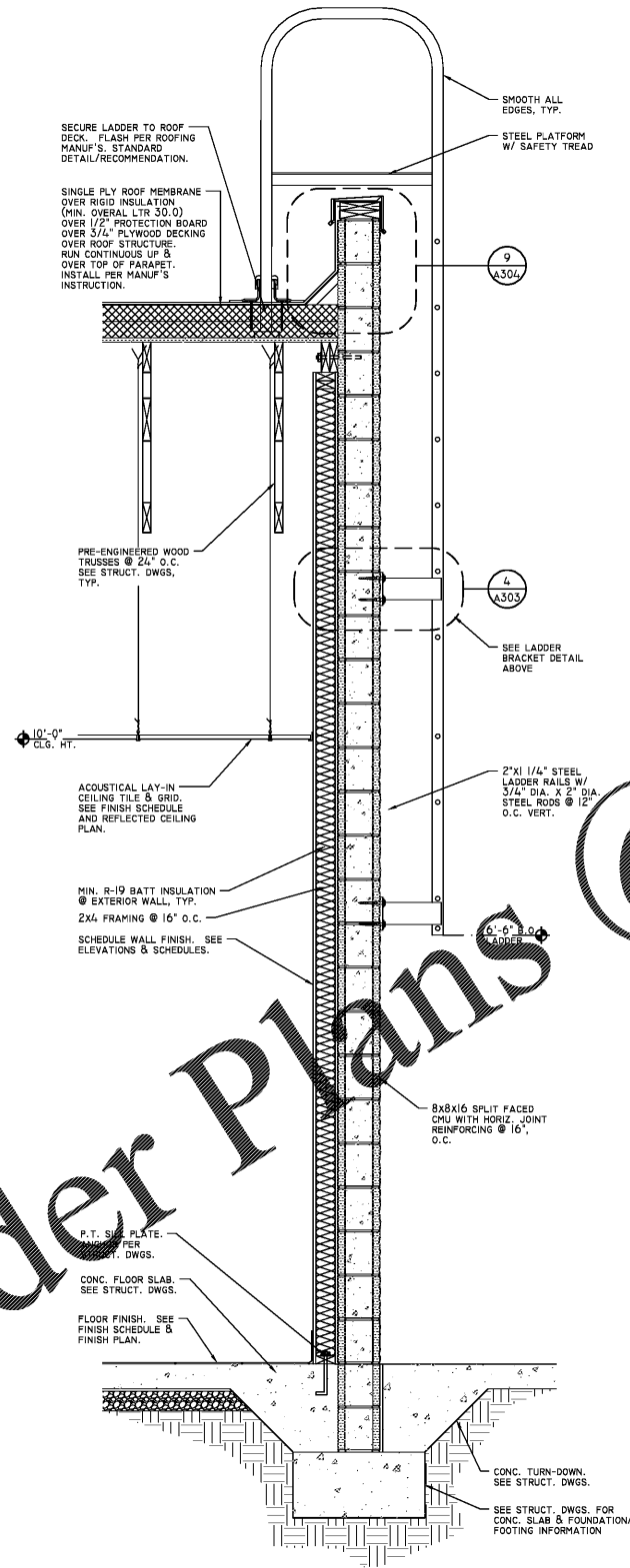


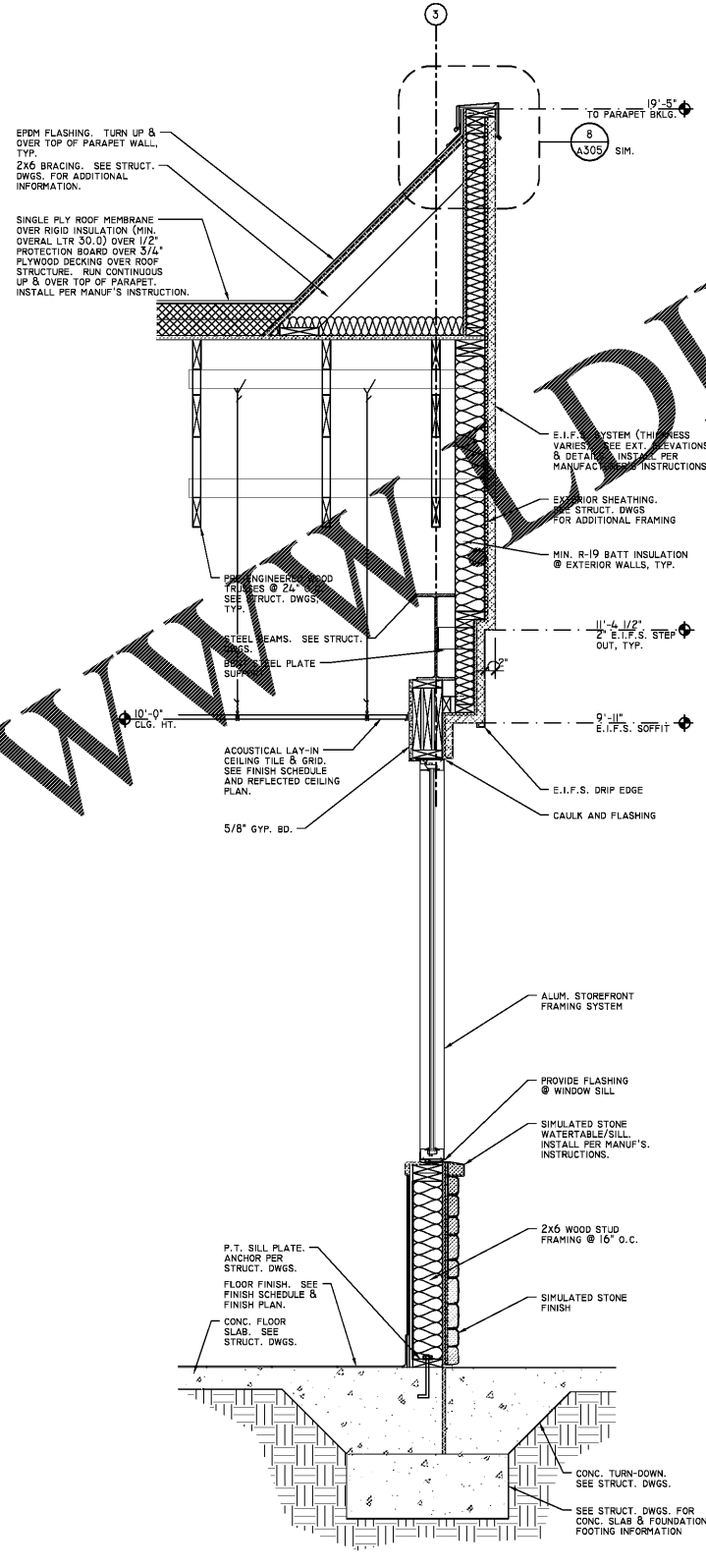
LADDER NOTES:
 LADDER TO BE DESIGNED BY LADDER SUPPLIER & COMPLY TO OSHA & ALL OTHER APPLICABLE CODES.
 LADDER TO BE FULLY WELDED.
 INSTALL LADDER PRIOR TO WALL FINISHES.
 ALL STEEL TO BE HOT-DIPPED GALVANIZED.
 MAINTAIN 7" MIN. TOE CLEARANCE BETWEEN LADDER RUNG & WALL.
 PAINT TO MATCH ADJACENT WALL COLOR.



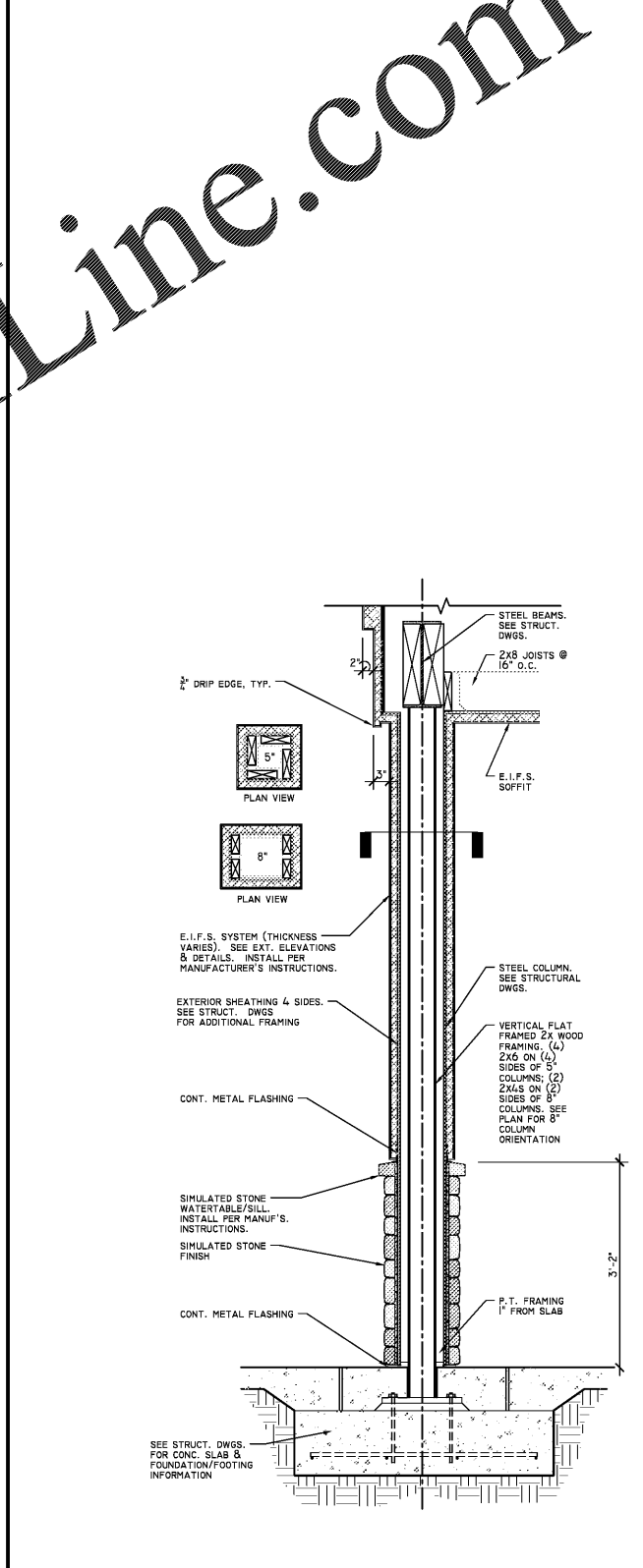
4 LADDER BRACKET DETAIL
 SCALE: N.T.S.



1 WALL SECTION
 SCALE: 3/4"-1'-0"



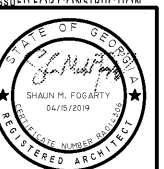
2 WALL SECTION
 SCALE: 3/4"-1'-0"



3 CLAD COLUMN SECTION
 SCALE: 3/4"-1'-0"

Order Plans @

WWW.DIline.com



JOB NO. L1905

NORWOOD ARCHITECTS
 807 FORREST ST. N.W.
 ATLANTA, GEORGIA 30318
 PH: 478-921-0302 FAX: 478-921-0301 WWW.NORWOODARCHITECTS.COM

HUDDLE HOUSE
 EVO 2000 RESTAURANT
 40 US HWY 84 CAIRO, GA
 GRADY CO. 39828

NO.	ISSUE DATE
	PERMIT SET 04/15/2019

DRAWING NUMBER
 WALL SECTIONS

A303