



JOB NO. L1905

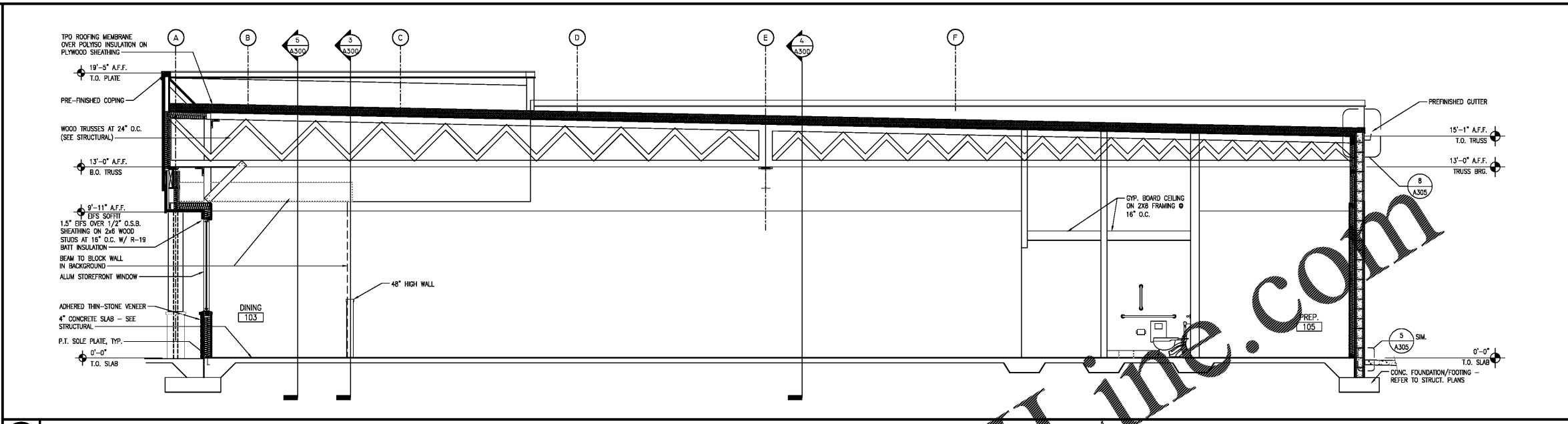
NORWOOD ARCHITECTS  
807 FOREST ST. N.W.  
ATLANTA, GEORGIA 30318  
PH: 478-921-0302 FAX: 478-921-0301 WWW.NORWOODARCHITECTS.COM

**HUDDLE HOUSE**  
EVO 2000 RESTAURANT  
40 US HWY 84 CAIRO, GA  
GRADY CO. 39828

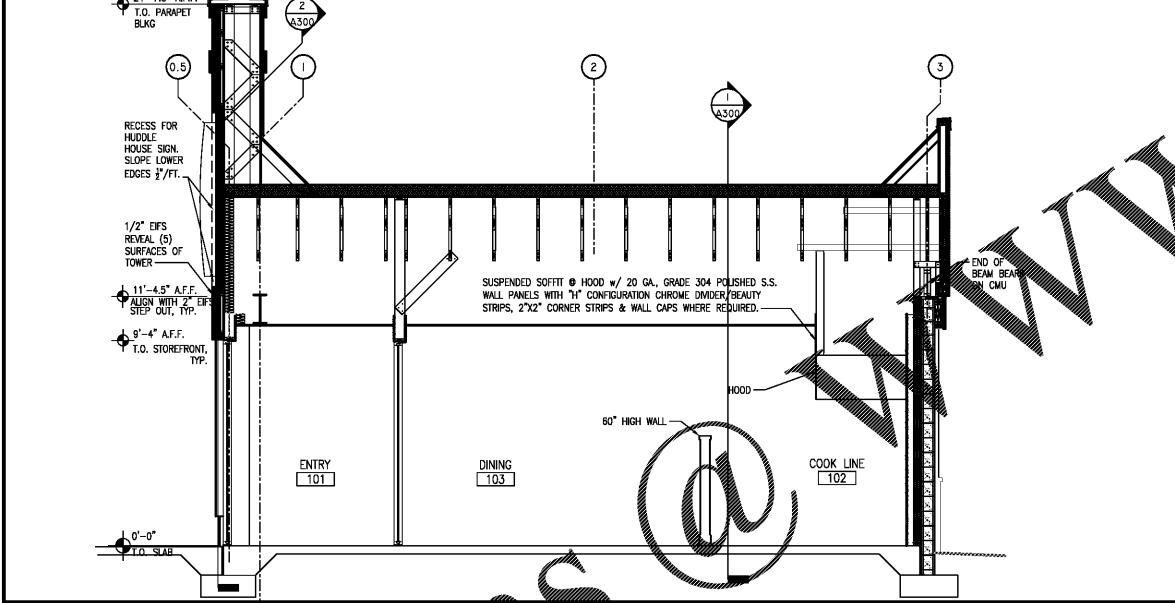
NO.	ISSUE DATE
PERMIT SET	04/15/2019

DRAWING NUMBER  
**BUILDING SECTIONS**

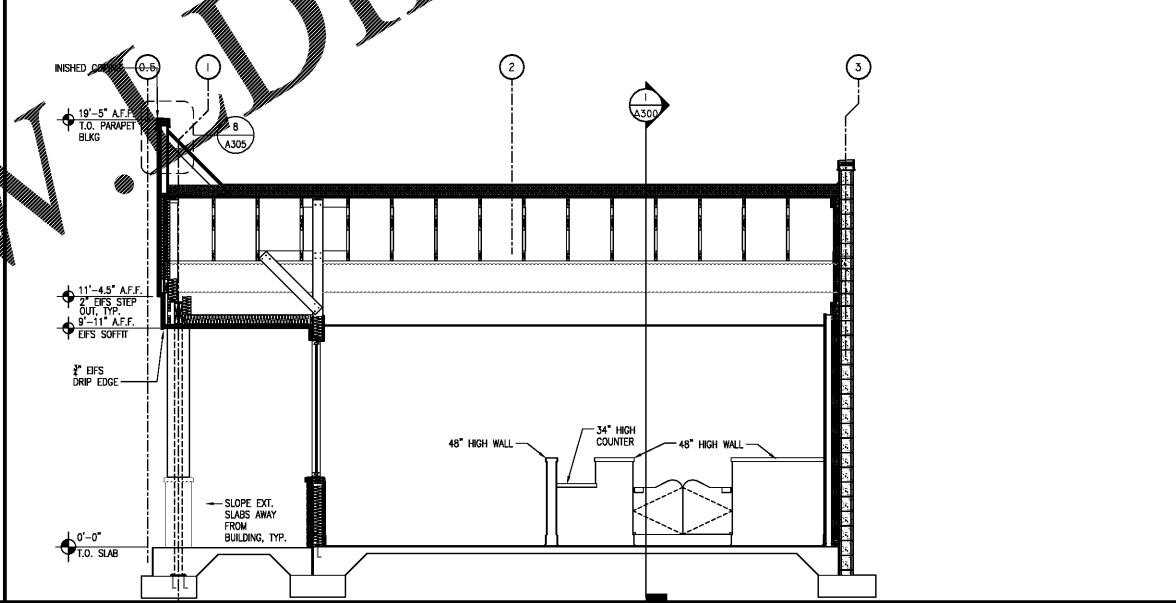
**A300**  
ISSUED FOR CONSTRUCTION



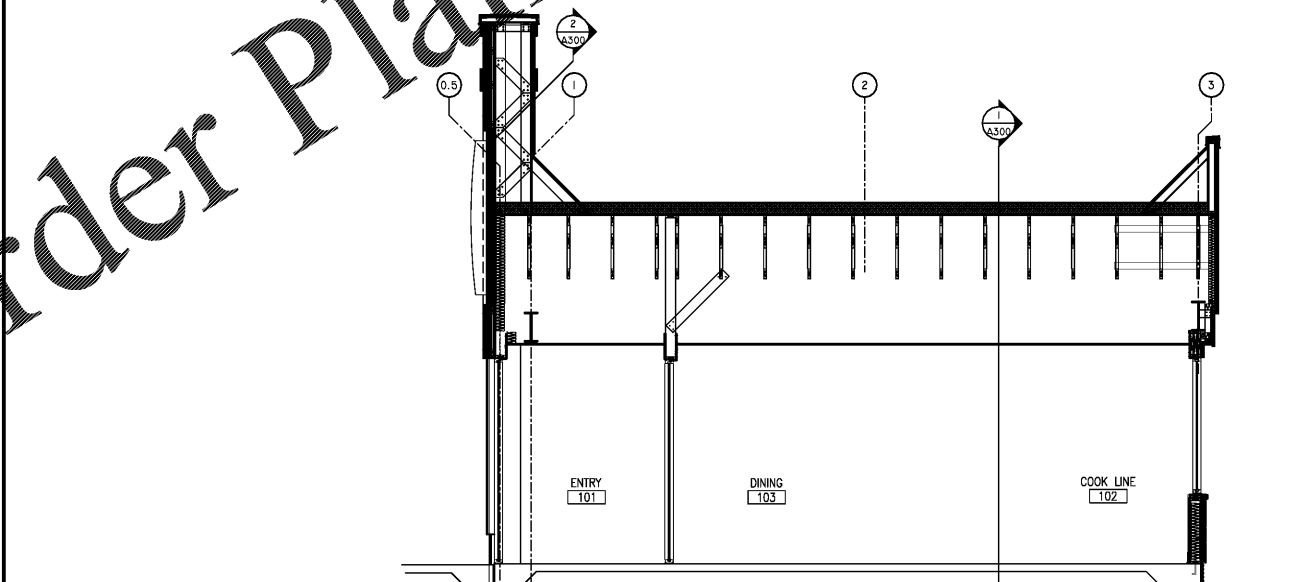
**1 BUILDING SECTION**  
SCALE: 1/4"=1'-0"



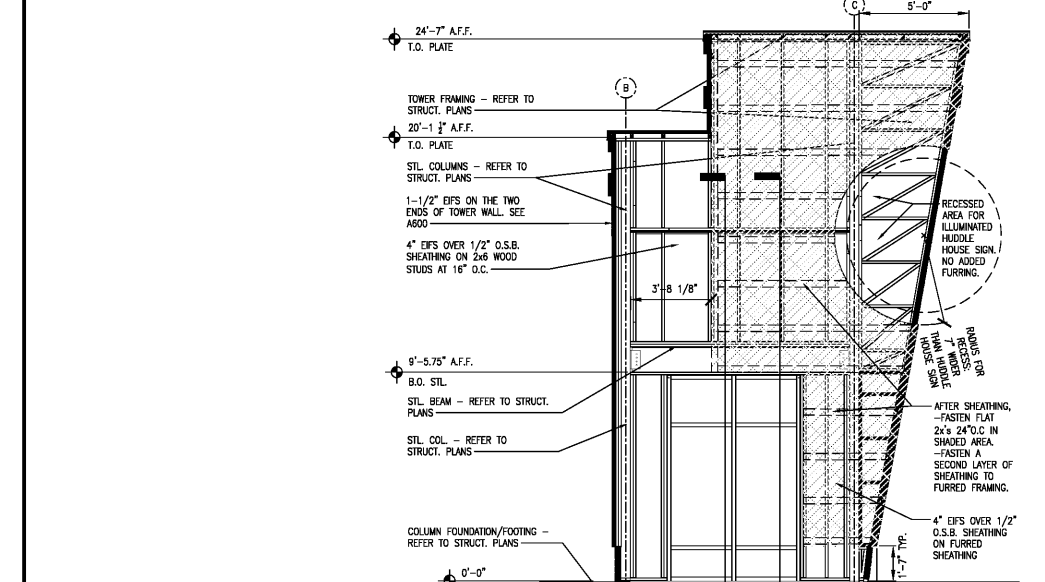
**3 BUILDING SECTION**  
SCALE: 1/4"=1'-0"



**4 BUILDING SECTION**  
SCALE: 1/4"=1'-0"



**5 BUILDING SECTION**  
SCALE: 1/4"=1'-0"



**2 PARTIAL BLDG. SECT.**  
SCALE: 1/4"=1'-0"

Order Plans @ www.dliline.com