

JOB NO. L1905

NORWOOD ARCHITECTS
807 FORREST ST. N.W.
ATLANTA, GEORGIA 30318
PH: 478-921-0302 FAX: 478-921-0301 www.norwoodarchitect.com

HUDDLE HOUSE
EVO 2000 RESTAURANT
40 US HWY 84 CAIRO, GA
GRADY CO. 39828

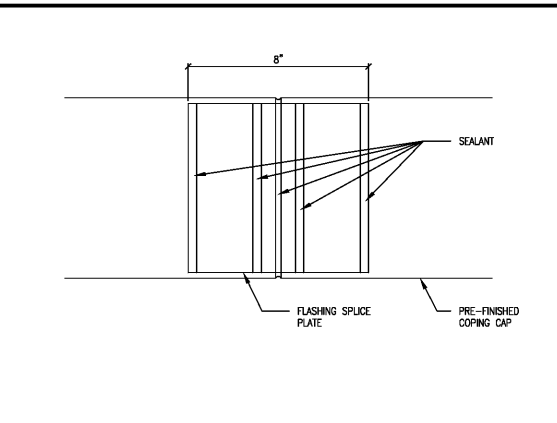
NO. ISSUE DATE
PERMIT SET
04/15/2019

DRAWING NUMBER
ROOF PLAN & DETAILS

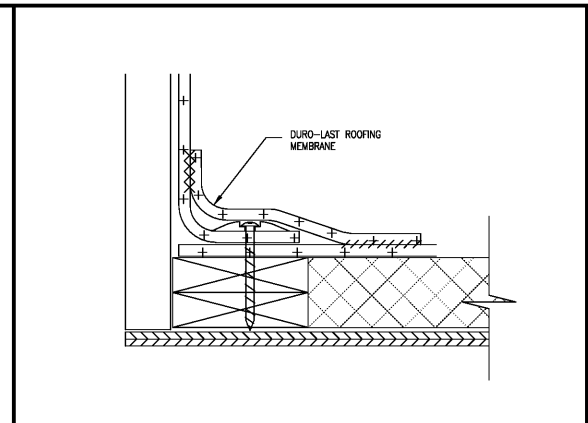
A105
ISSUED FOR CONSTRUCTION

- GENERAL NOTES**
1. ROOFING SUBCONTRACTOR TO COORDINATE LOCATION OF H.V.A.C. UNITS & ROOF TOP ACCESSORIES W/ STRUCTURAL, MECHANICAL & ELECTRICAL DWGS. FOR LAY-OUT/PLACEMENT OF ROOF BOARD INSULATION & SUBSEQUENT INSTALLATION IN ORDER TO AVOID PONDING WATER CONDITIONS ATTRIBUTABLE TO BOARD LAY-OUT ISSUES
 2. ROOF SYSTEMS SPECIFIED SHALL BE APPLIED ONLY BY MFR. APPROVED APPLICATOR IN ORDER TO MEET WARRANTY REQUIREMENTS
 3. HVAC CONDENSATE LINES TO TERMINATE INTO GUTTER. COORD. W/ LOCAL AHJ TO DETERMINE IF CONDENSATE LINES ARE REQUIRED TO THE INTO SANITARY
 4. ALL CURBS FOR ROOF TOP EQUIPMENT TO BE FLASHED USING PRE-FABRICATED CUSTOM CURB FLASHING BY THE ROOFING MFR.
 5. ALL FLASHING CEMENTS, PRODUCTS & ACCESSORIES SHALL BE SUPPLIED & APPROVED BY ROOFING MFR.
 6. RIDIC INSULATION TO BE MECHANICALLY FASTENED PER FACTORY MUTUAL-28
 7. THE ROOF STRUCTURE SHALL NOT BE USED FOR STOCKING OF EQUIPMENT OR MATERIALS UNLESS APPROVED BY THE ARCHITECT, STRUCTURAL ENGINEER & THE JOIST MFR.
 8. COORDINATE ROOF ELEVATIONS W/ STRUCTURAL DWGS.
 9. ALL ROOFING DETAILS TO BE VERIFIED & COORDINATED W/ MFR'S. RECOMMENDED INSTALLATION PROCEDURES, SPECIFICATIONS & WARRANTIES

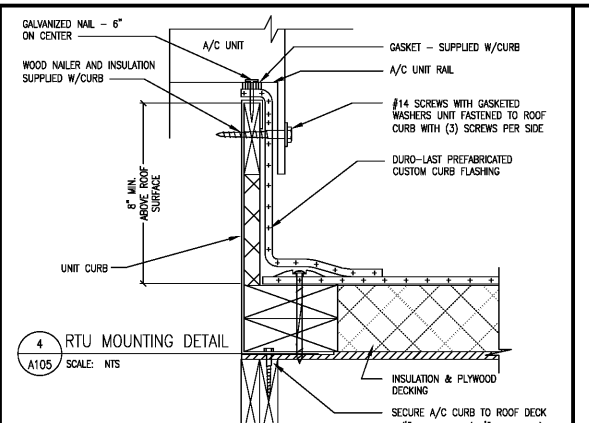
- KEY NOTES**
1. DURO-LAST SINGLE PLY WHITE 45 MIL POLYURETHANE ROOFING SYSTEM INSTALLED OVER 1/2" POLYISOCYANURATE INSULATION (MIN. OVERALL LTR. 30.0)
 2. ROOF ACCESS LADDER
 3. PRE-FIN. MTL. RAINING/CANOPY BY VENDOR, SIGNAGE MANUFACTURER
 4. PARAPET BRACING; SEE STRUCT. DWGS. FOR ADDITIONAL INFO.
 5. TYP. OF CRICKET, SLOPE EQUAL TO ROOF
 6. 6"x6" PRE-FABRICATED CONT. ALUMINUM GUTTER
 7. 4"x6" (MIN.) DOWNSPOUT BELOW (TYP. OF 2)
 8. ROOFTOP UNIT
 9. EXHAUST FAN
 10. PRE-FIN. MTL. PARAPET COPING/CAP
 11. VENT THRU ROOF (V.T.R.)
 12. HUDDLE HOUSE SIGN (BELOW)
 13. WALK-IN BOX (BELOW)
 14. FLASHING OVERLAP/JOINT LOCATION
 15. WALK-IN MECHANICAL EQUIPMENT
 16. RTU GAS SUPPLY PIPE PENETRATION
 17. EXTERIOR FLOOD LIGHT FIXTURE
 18. DISHWASHER HOOD EXHAUST OPTION
 19. TOWER FLOOD LIGHT



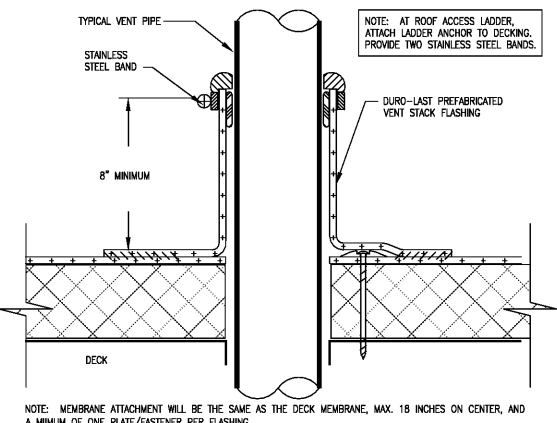
2 COPING SPlice PLATE DETAIL
SCALE: 1/4"=1'-0"



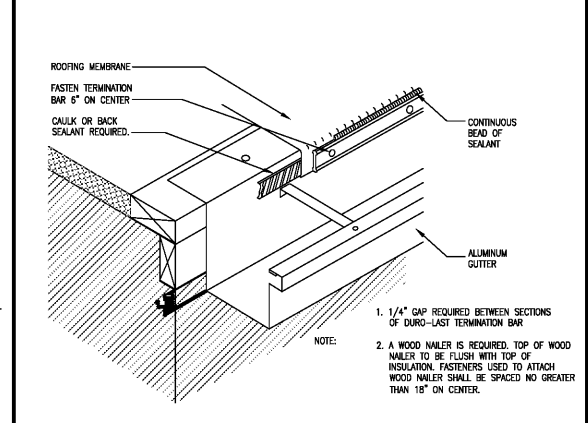
3 STANDARD BASE FLASHING DETAIL
SCALE: N.T.S.



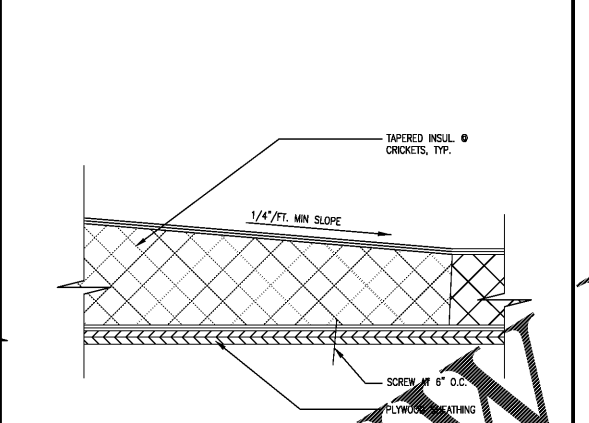
3 STANDARD BASE FLASHING DETAIL
SCALE: N.T.S.



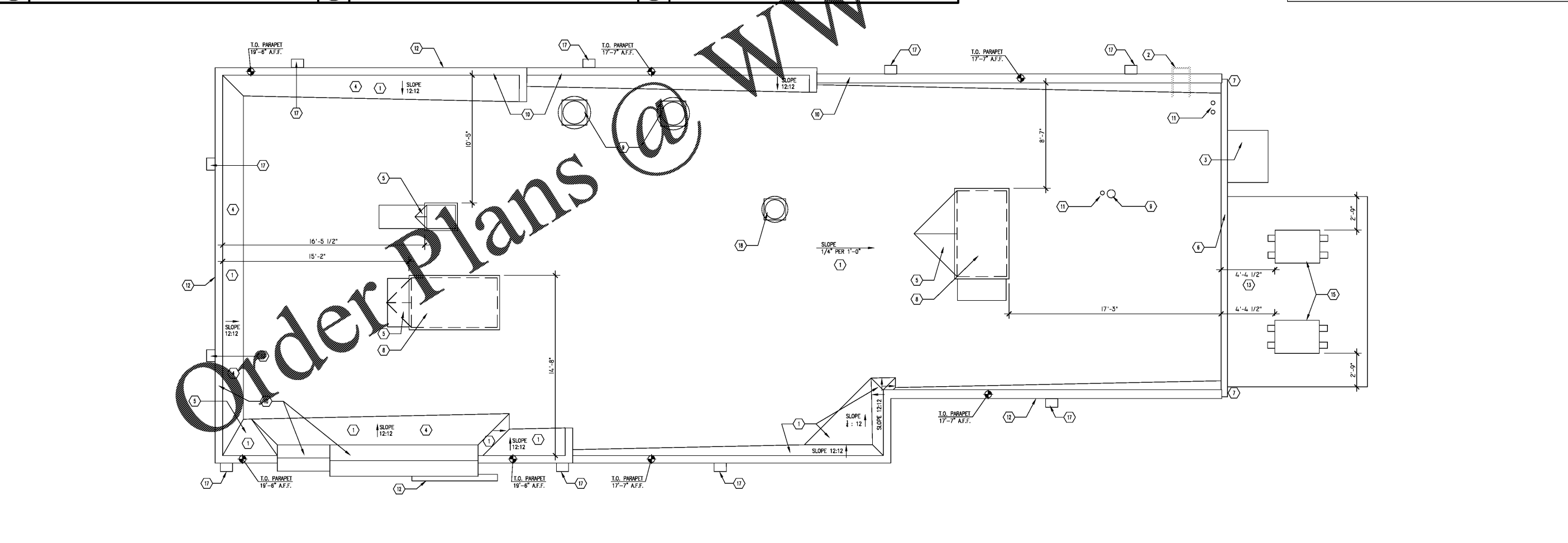
5 TYP. ROUND PENETRATION DETAIL
SCALE: 1/4"=1'-0"



6 STANDARD BASE FLASHING DETAIL
SCALE: N.T.S.



7 TYP. CRICKET DETAIL
SCALE: N.T.S.



1 ROOF PLAN
SCALE: 1/4"=1'-0"