

JOB NO. LI905

NORWOOD ARCHITECTS
 807 Forester St. N.W.
 Atlanta, Georgia 30318
 ph: 678-921-0302 fax: 678-921-0301 www.norwoodarchitect.com

HUDDLE HOUSE
 EVO 2000 RESTAURANT
 40 US HWY 84 CAIRO, GA
 GRADY CO. 39828

NO.	ISSUE DATE
	PERMIT SET 04/15/2019

DRAWING NUMBER

A103

GRAPHIC/DECOR LEGEND		
TAG	DESCRIPTION	QTY.
GX01	SEE DECOR PACKAGE FROM CORPORATE	
GX02	SEE DECOR PACKAGE FROM CORPORATE	
GX03	SEE DECOR PACKAGE FROM CORPORATE	
GX04	SEE DECOR PACKAGE FROM CORPORATE	
GX05	SEE DECOR PACKAGE FROM CORPORATE	
GX06	SEE DECOR PACKAGE FROM CORPORATE	
GX07	SEE DECOR PACKAGE FROM CORPORATE	
GX08	SEE DECOR PACKAGE FROM CORPORATE	
GX09	SEE DECOR PACKAGE FROM CORPORATE	
GX10	SEE DECOR PACKAGE FROM CORPORATE	
GX11	SEE DECOR PACKAGE FROM CORPORATE	
GX12	SEE DECOR PACKAGE FROM CORPORATE	
GX13	SEE DECOR PACKAGE FROM CORPORATE	
GX14	SEE DECOR PACKAGE FROM CORPORATE	

GENERAL NOTES

- LOCATION OF GRAPHICS & DECOR SHOWN ARE APPROXIMATE. SECURELY ANCHOR TO WALL FRAMING OR PROVIDE ADEQUATE BLOCKING IN WALL. CONFIRM BLOCKING REQUIREMENTS W/ VENDOR PRIOR TO INSTALLATION
- G.C. TO PROVIDE PLYWD. SHEET BLOCKING AT FULL HEIGHT PARTITIONS FOR ALL WALL MOUNTED EQUIPMENT & FIXTURES, DECOR & ACCESSORIES (U.N.O.); G.C. TO COORD. INSTALLATION REQUIREMENTS W/ VENDORS & SUPPLIERS PRIOR TO CONSTRUCTION OF WALL FINISH. PLYWD. TO EXTEND FROM 2'-0" A.F.F. TO 6" ABOVE CEILING
- WHERE GRAPHICS/WALLPAPER ARE INDICATED, PROVIDE A LEVEL 5 GYP. BD. FINISH ON WALLS ABOVE WAINSCOT PRIOR TO APPLYING WALL GRAPHIC

KEY NOTES

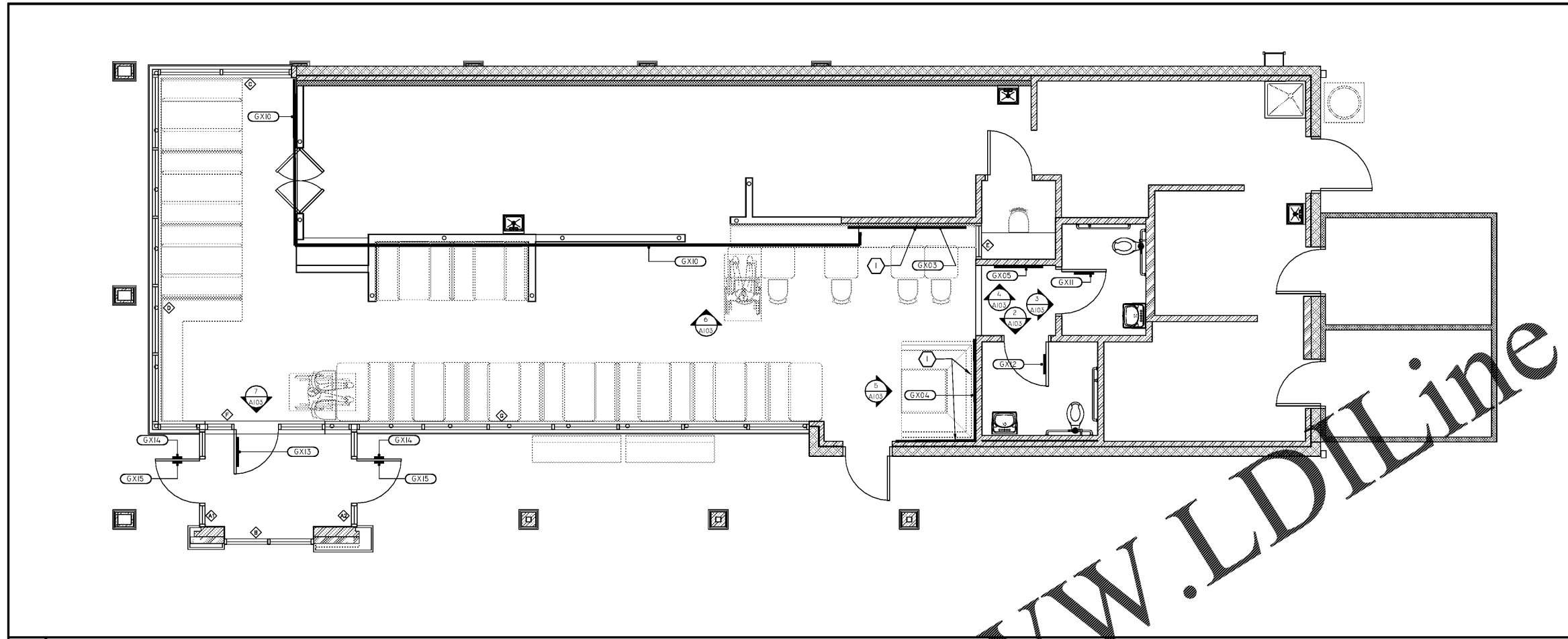
DESCRIPTION

① LEVEL 5 GYP. BD. FINISH ON WALLS ABOVE WAINSCOT PRIOR TO APPLYING WALL GRAPHIC

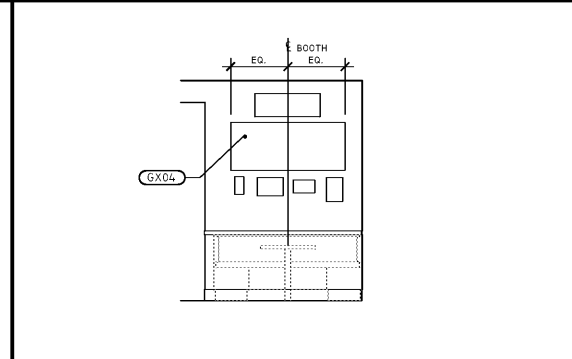
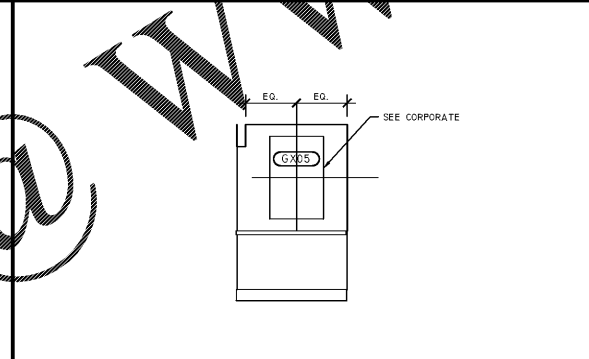
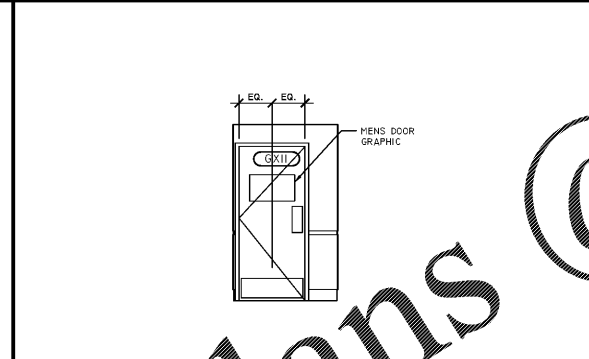
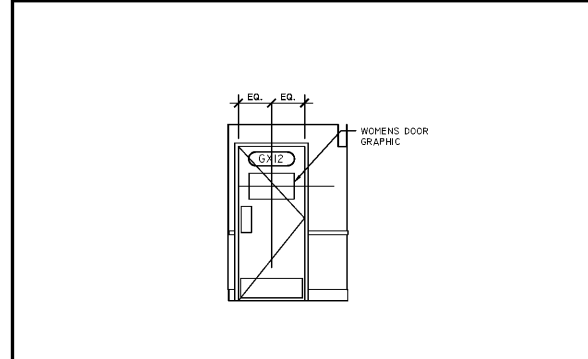
LEGEND

GX## GRAPHIC/DECOR

ⓧ KEY NOTES



1 GRAPHICS/DECOR PLAN
SCALE: 1/4"=1'-0"

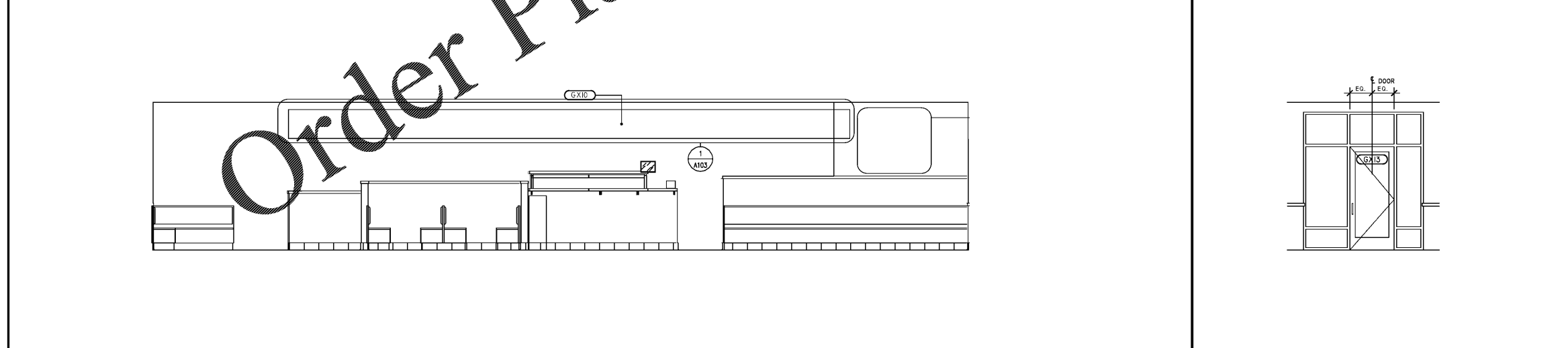


2 INTERIOR DECOR ELEVATION
SCALE: 1/4"=1'-0"

3 INTERIOR DECOR ELEVATION
SCALE: 1/4"=1'-0"

4 INTERIOR DECOR ELEVATION
SCALE: 1/4"=1'-0"

4 INTERIOR DECOR ELEVATION
SCALE: 1/4"=1'-0"



5 INTERIOR DECOR ELEVATION
SCALE: 1/4"=1'-0"

6 INTERIOR DECOR ELEVATION
SCALE: 1/4"=1'-0"

SHEET TITLE
GRAPHICS AND DECOR PLAN