



STEWART
101 N TRYON ST SUITE 1400 CHARLOTTE, NC 28202
704.334.7925 FIRM LICENSE #C-1051 538017



SCO #16-15889-02A
RICHMOND COMMUNITY COLLEGE

LEE BUILDING
STUDENT SERVICES & CAREER CENTER
VOL.2

BID DOCUMENTS

STEEL FRAMING DETAILS

DATE: 4-5-2019
PROJECT NO: 16063

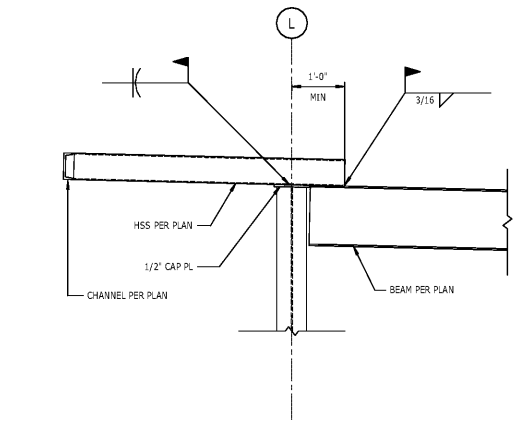
REVISIONS
NO. DATE DESCRIPTION:

THIS DRAWING IS THE PROPERTY OF ADW ARCHITECTS, P.A. AND SHALL NOT BE REPRODUCED OR COPIED IN WHOLE OR PART. IT SHALL NOT BE USED ON ANY OTHER PROJECT OR GIVEN TO ANY OTHER COMPANY OR AGENCY WITHOUT THE CONSENT OF ADW ARCHITECTS, P.A.

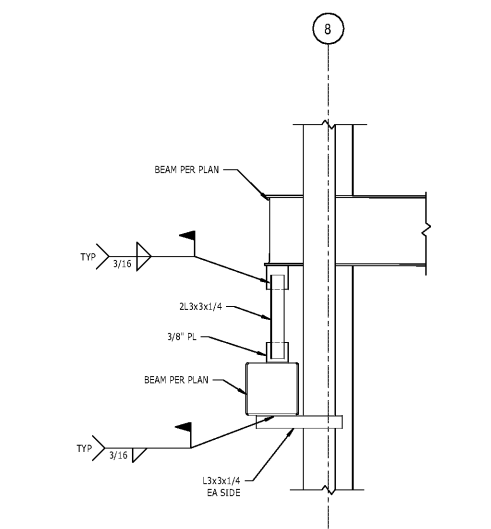


SHEET NUMBER

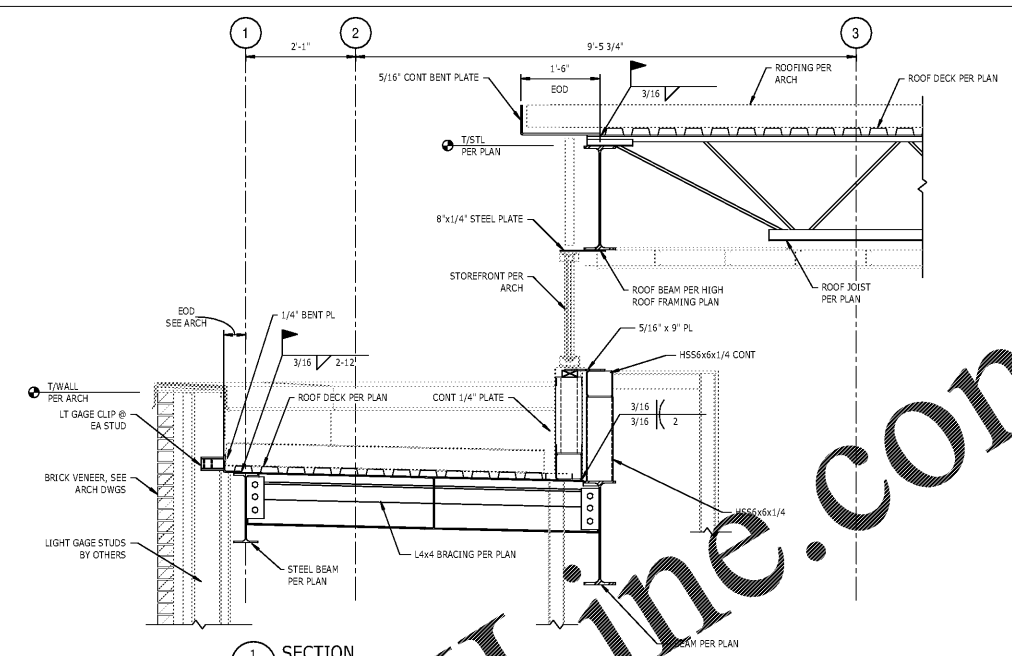
S-503



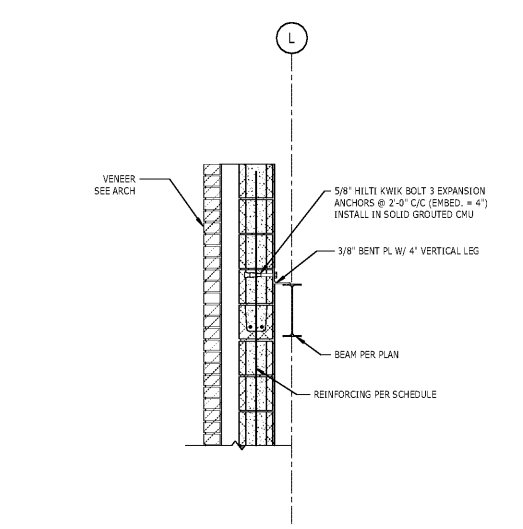
10 SECTION
S-503 3/4" = 1'-0"



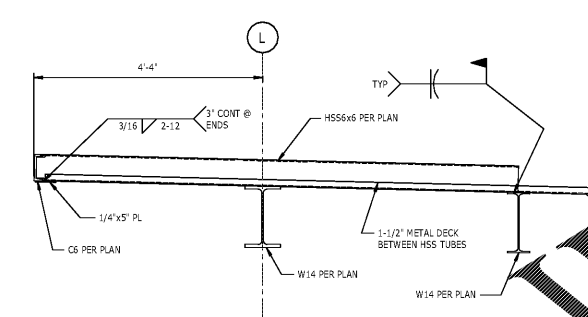
7 SECTION
S-503 3/4" = 1'-0"



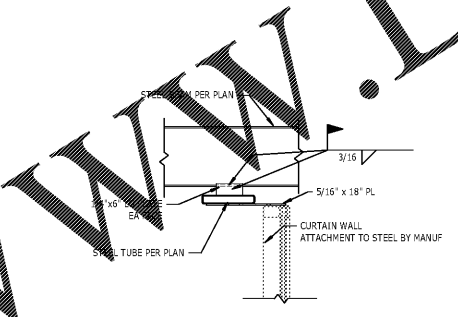
1 SECTION
S-503 3/4" = 1'-0"



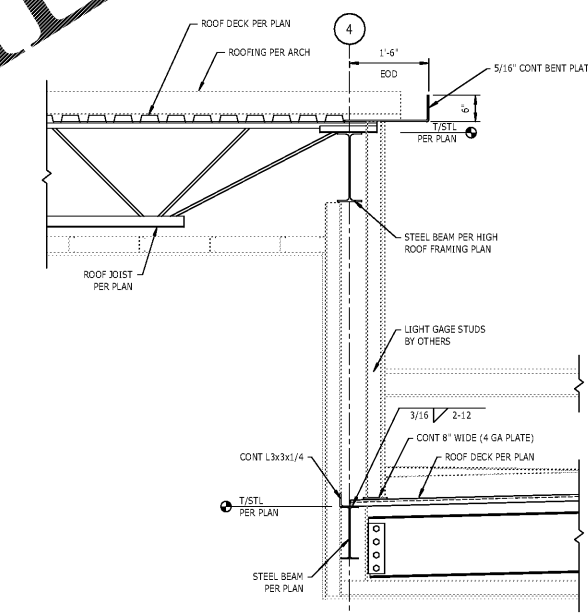
11 SECTION
S-503 3/4" = 1'-0"



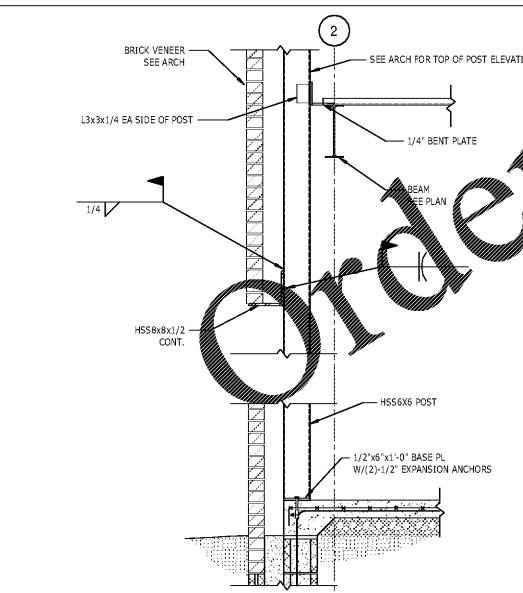
8 SECTION
S-503 3/4" = 1'-0"



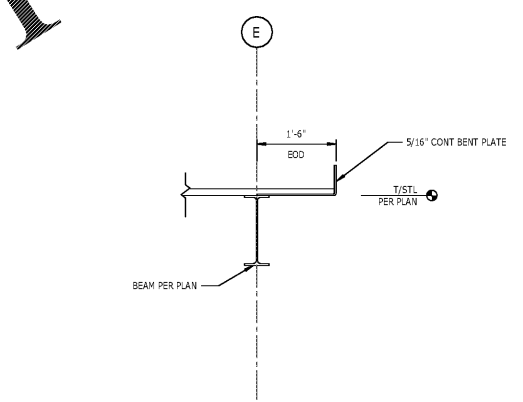
5 SECTION
S-503 3/4" = 1'-0"



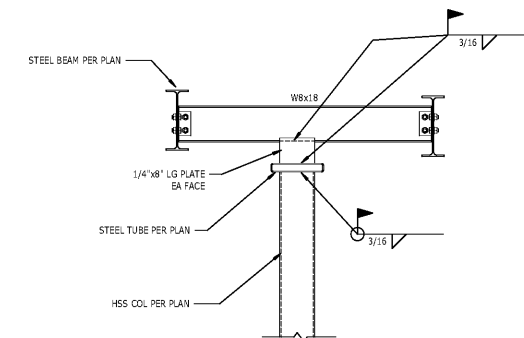
2 SECTION
S-503 3/4" = 1'-0"



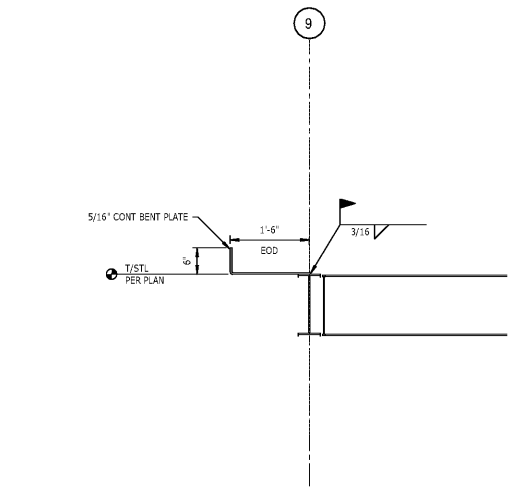
12 SECTION
S-503 3/4" = 1'-0"



9 SECTION
S-503 3/4" = 1'-0"



6 SECTION
S-503 3/4" = 1'-0"



3 SECTION
S-503 3/4" = 1'-0"

WWW.LDIDLINE.COM

Order Plans @