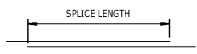


MAX HEIGHT "H"	DIMENSIONS						REINFORCEMENT					
	A	B	C	D	E	F	A	B	C	D	E	F
4'-0"	1'-0"	4'-0"	2'-0"	1'-8"	1'-0"	1'-0"	#4@18"OC	#4@18"OC	#4@12"OC	#4@12"OC	(5)#4	(2)#4
6'-0"	1'-0"	5'-0"	3'-0"	1'-8"	1'-0"	1'-0"	#4@12"OC	#4@12"OC	#4@12"OC	#4@12"OC	(6)#4	(2)#4
8'-0"	1'-3"	7'-0"	4'-0"	2'-0"	1'-4"	1'-0"	#5@12"OC	#5@12"OC	#5@12"OC	#5@12"OC	(8)#5	(3)#4
10'-0"	1'-6"	10'-0"	7'-6"	2'-0"	1'-6"	1'-0"	#5@9"OC	#5@9"OC	#5@12"OC	(11)#5	(3)#5	
12'-0"	2'-0"	13'-0"	10'-0"	3'-4"	1'-6"	1'-0"	#7@10"OC	#7@10"OC	#6@10"OC	#5@12"OC	(14)#5	(4)#5
14'-0"	2'-0"	15'-6"	12'-3"	6'-0"	1'-6"	1'-3"	#7@8"OC	#7@8"OC	#7@8"OC	#5@12"OC	(16)#5	(4)#5
16'-0"	2'-6"	18'-0"	14'-3"	6'-6"	1'-8"	1'-3"	#8@12"OC	#8@8"OC	#8@8"OC	#5@12"OC	(19)#5	(5)#5

NOTES:
 1. SEE DETAIL 9/5-302 FOR DETAIL OF CONCRETE WALL JOINTS.
 2. SEE ARCHITECTURAL WALL ELEVATIONS FOR PATTERNS IN CONCRETE SITE WALLS.

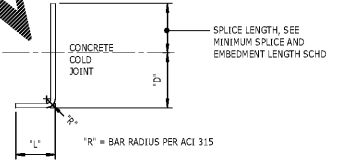
7 CONCRETE RETAINING WALL WITH MASONRY VENEER
 S-302 3/4" = 1'-0"

CONCRETE REINFORCING SPLICES			
BAR SIZE	f _c = 3,000 PSI	f _c = 4,000 PSI	f _c = 5,000 PSI
#3	1'-10"	1'-7"	1'-5"
#4	2'-4"	2'-1"	1'-10"
#5	3'-0"	2'-7"	2'-4"
#6	3'-7"	3'-1"	2'-9"
#7	5'-2"	4'-6"	4'-1"
#8	5'-11"	5'-2"	4'-8"
#9	6'-6"	5'-10"	5'-3"
#10	7'-6"	6'-6"	5'-10"
#11	8'-4"	7'-3"	6'-6"

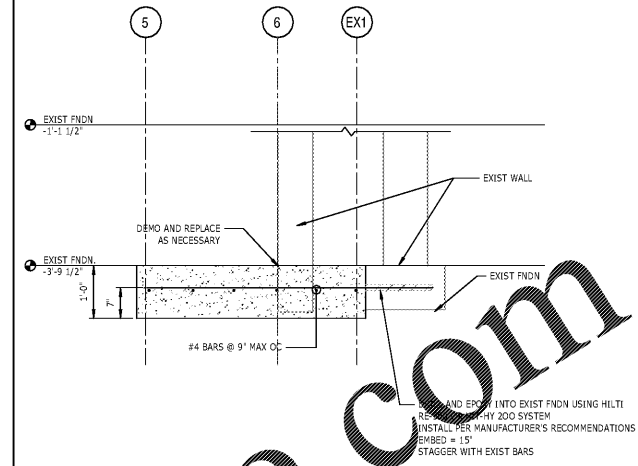


4 CONCRETE REINFORCING SPLICE SCHEDULE
 S-302 3/4" = 1'-0"

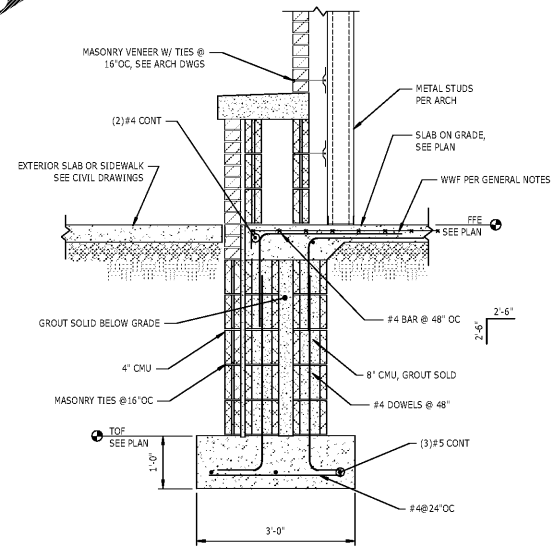
CONCRETE REINFORCING DOWEL EMBEDMENT			
BAR SIZE	LEG DIM, "L"	EMBEDMENT, "D"	
		f _c = 3,000 PSI	f _c = 5,000 PSI
#3	6"	6"	6"
#4	8"	8"	7"
#5	10"	10"	9"
#6	1'-0"	1'-0"	10"
#7	1'-2"	1'-2"	11"
#8	1'-4"	1'-2"	1'-0"
#9	1'-7"	1'-6"	1'-3"
#10	1'-10"	1'-8"	1'-5"
#11	2'-0"	1'-9"	1'-5"



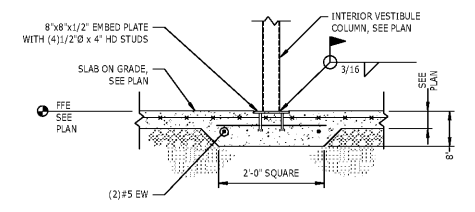
5 SCHEDULE
 S-302 3/4" = 1'-0"
 NOTES:
 1. SIDE COVER ON BARS MUST BE GREATER THAN 2 1/2". END COVER ON 90° HOOKED BARS MUST BE GREATER THAN 2".
 2. VALUES SHOWN ARE FOR NORMAL WEIGHT CONCRETE. FOR LIGHT WEIGHT CONCRETE, INCREASE THE "D" VALUES BY 30%.
 3. FOR EPOXY-COATED BARS, INCREASE THE "D" VALUES BY 20%.



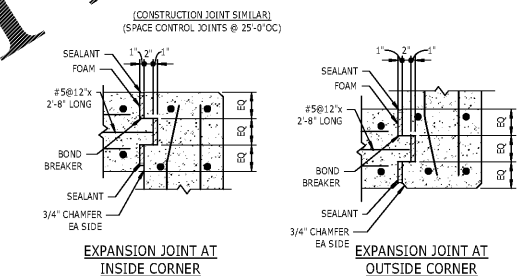
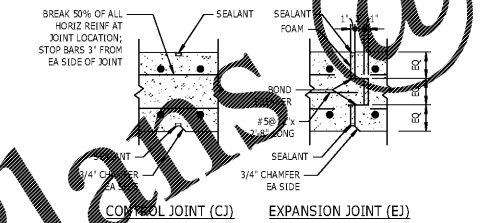
1 SECTION
 S-302 3/4" = 1'-0"



2 SECTION
 S-302 3/4" = 1'-0"

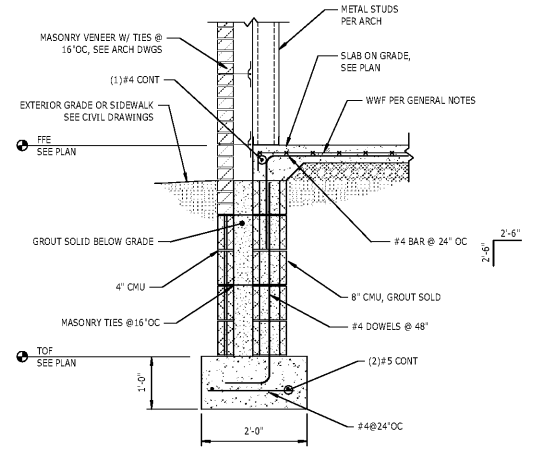


11 SECTION
 S-302 3/4" = 1'-0"

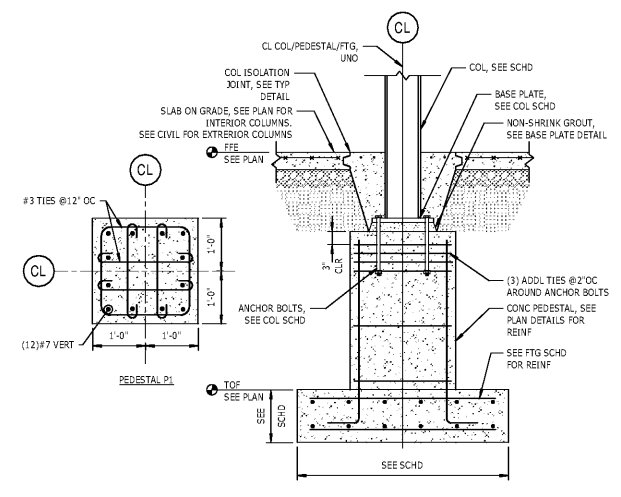


NOTES:
 1. FOAM JOINT FILLER TO BE CLOSED CELL NEOPRENE FOAM.
 2. SEALANT TO BE 'TRENCO DYNASRC' OR EQUAL.
 3. SUBMIT SAMPLES OF JOINT FILLER & SEALANT FOR APPROVAL.
 4. ALL CHAMFERS TO BE ON EXPOSED FACE OF WALL.

9 TYPICAL JOINTS IN CONCRETE WALLS
 S-302 3/4" = 1'-0"



6 SECTION
 S-302 3/4" = 1'-0"



3 TYPICAL SPREAD FOOTING AT STEEL COLUMN WITH PEDESTAL
 S-302 3/4" = 1'-0"
 NOTES:
 1. COAT BASE PLATE, ANCHOR BOLTS, AND COLUMN BELOW SLAB ON GRADE WITH AN APPROVED ASPHALT PAINT.
 2. PROVIDE STANDARD ACI 90° HOOK AT BOTTOM END OF ALL VERTICAL BARS IN PEDESTAL.