



STEWART
101 N TRYON ST SUITE 1400 CHARLOTTE, NC 28202
704.334.7925 FIRM LICENSE #C-1051 538017



SCO #16-15889-02A
RICHMOND COMMUNITY COLLEGE

LEE BUILDING
STUDENT SERVICES & CAREER CENTER
VOL.2

BID DOCUMENTS

VERTICAL FRAME ELEVATIONS

DATE: 4-5-2019
PROJECT NO: 16063

REVISIONS
NO. DATE DESCRIPTION:

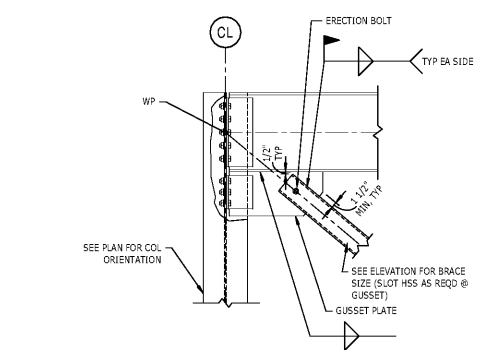
THIS DRAWING IS THE PROPERTY OF ADW ARCHITECTS, P.A. AND SHALL NOT BE REPRODUCED OR COPIED IN WHOLE OR PART. IT SHALL NOT BE USED ON ANY OTHER PROJECT OR GIVEN TO ANY OTHER COMPANY OR AGENCY WITHOUT THE CONSENT OF ADW ARCHITECTS, P.A.



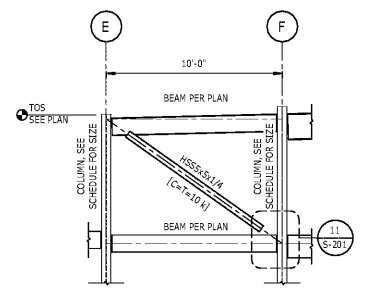
04/05/2019

SHEET NUMBER

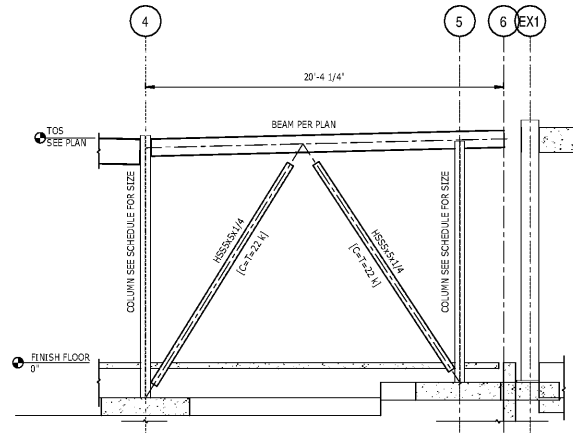
S-201



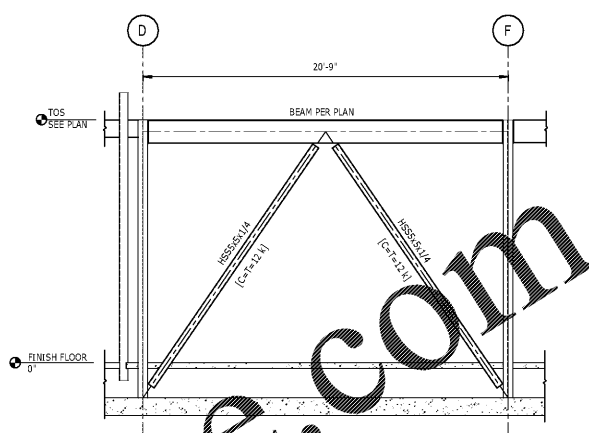
10 DETAIL
3/4" = 1'-0"
NOTES:
1. FABRICATOR SHALL DESIGN ALL BEAM TO COLUMN CONNECTIONS, GUSSET PLATES, AND WELDS WITHIN VERTICAL FRAME TO SUPPORT THE HORIZONTAL AND VERTICAL COMPONENTS OF THE BRACE FORCE PLUS THE BEAM REACTION SHOWN ON THE ELEVATION. ALLOWABLE STRESS INCREASES OR LOAD REDUCTIONS ARE NOT PERMITTED.



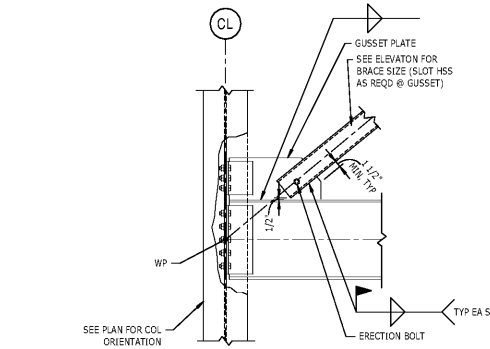
7 VF#6 - ALONG GRIDLINE 4 (HIGH ROOF)
1/4" = 1'-0"
NOTES:
1. SEE 1/5-201 FOR VERTICAL FRAME NOTES.



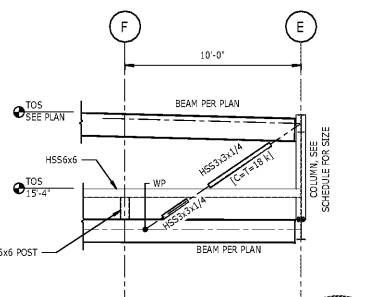
4 VF#4 - ALONG GRIDLINE A
1/4" = 1'-0"
NOTES:
1. SEE 1/5-201 FOR VERTICAL FRAME NOTES.



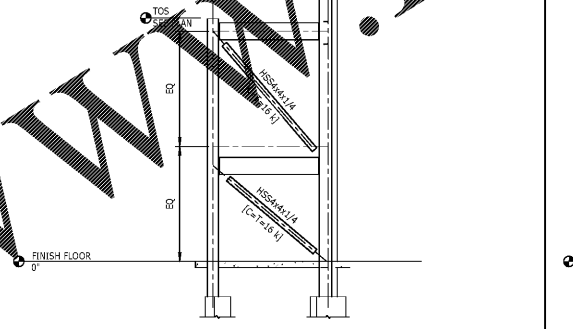
1 VF#1 - ALONG GRIDLINE 1
1/4" = 1'-0"
NOTES:
1. ALL MEMBERS SHALL COINCIDE, U.N.O.
2. INDICATED BRACE AXIAL FORCE (IN KIPS). FORCES ARE L/R/D.
3. FABRICATOR SHALL DESIGN ALL BEAM TO COLUMN CONNECTIONS WITHIN VERTICAL FRAME TO SUPPORT THE HORIZONTAL AND VERTICAL COMPONENTS OF THE BRACE. ALLOWABLE STRESS INCREASES OR LOAD REDUCTIONS ARE NOT PERMITTED.
4. DESIGN ALL CONNECTIONS TO MEET AISC 360-05 REQUIREMENTS.



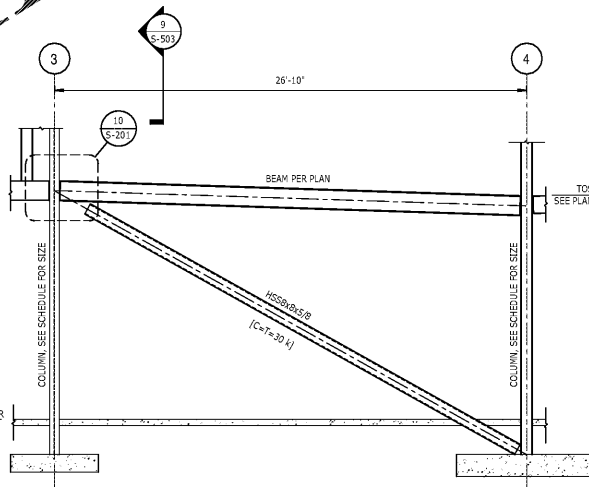
11 DETAIL
3/4" = 1'-0"
NOTES:
1. FABRICATOR SHALL DESIGN ALL BEAM TO COLUMN CONNECTIONS, GUSSET PLATES, AND WELDS WITHIN VERTICAL FRAME TO SUPPORT THE HORIZONTAL AND VERTICAL COMPONENTS OF THE BRACE FORCE PLUS THE BEAM REACTION SHOWN ON THE ELEVATION. ALLOWABLE STRESS INCREASES OR LOAD REDUCTIONS ARE NOT PERMITTED.



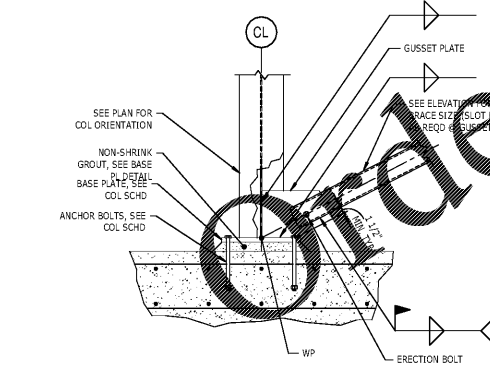
8 VF#7 - ALONG GRIDLINE 9
1/4" = 1'-0"
NOTES:
1. SEE 1/5-201 FOR VERTICAL FRAME NOTES.



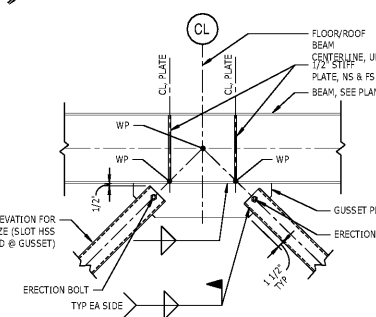
5 VF#5 - ALONG GRIDLINE 8
1/4" = 1'-0"



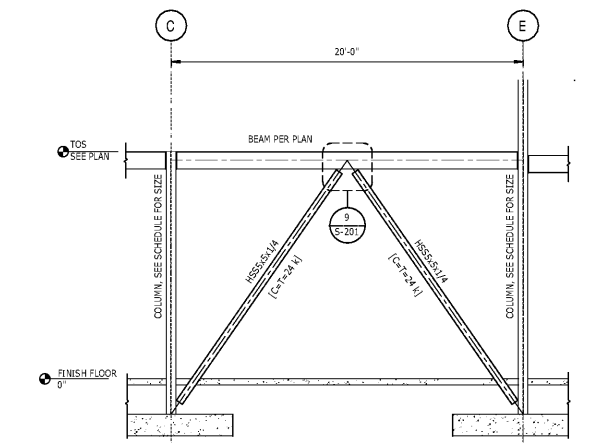
2 VF#2 - ALONG GRIDLINE E
1/4" = 1'-0"
NOTES:
1. SEE 1/5-201 FOR VERTICAL FRAME NOTES.



12 DETAIL
3/4" = 1'-0"
NOTES:
1. FABRICATOR SHALL DESIGN ALL BEAM TO COLUMN CONNECTIONS, GUSSET PLATES, AND WELDS WITHIN VERTICAL FRAME TO SUPPORT THE HORIZONTAL AND VERTICAL COMPONENTS OF THE BRACE FORCE PLUS THE BEAM REACTION SHOWN ON THE ELEVATION. ALLOWABLE STRESS INCREASES OR LOAD REDUCTIONS ARE NOT PERMITTED.



9 DETAIL
3/4" = 1'-0"
NOTES:
1. FABRICATOR SHALL DESIGN ALL BEAM TO COLUMN CONNECTIONS, GUSSET PLATES, AND WELDS WITHIN VERTICAL FRAME TO SUPPORT THE HORIZONTAL AND VERTICAL COMPONENTS OF THE BRACE FORCE PLUS THE BEAM REACTION SHOWN ON THE ELEVATION. ALLOWABLE STRESS INCREASES OR LOAD REDUCTIONS ARE NOT PERMITTED.
2. "WP" INDICATES WORK POINT FOR MEMBER CENTRIDS.



3 VF#3 - ALONG GRIDLINE 4
1/4" = 1'-0"
NOTES:
1. SEE 1/5-201 FOR VERTICAL FRAME NOTES.

Order Plans @

WWW.LDILLINE.COM