



SCO #16-15889-02A

**RICHMOND
COMMUNITY
COLLEGE**

**LEE BUILDING
STUDENT SERVICES &
CAREER CENTER
VOL.2**

BID DOCUMENTS

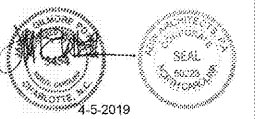
HEAD AND JAMB DETAILS

DATE 04.05.2019

PROJECT NO 16063

REVISIONS
NO DATE DESCRIPTION

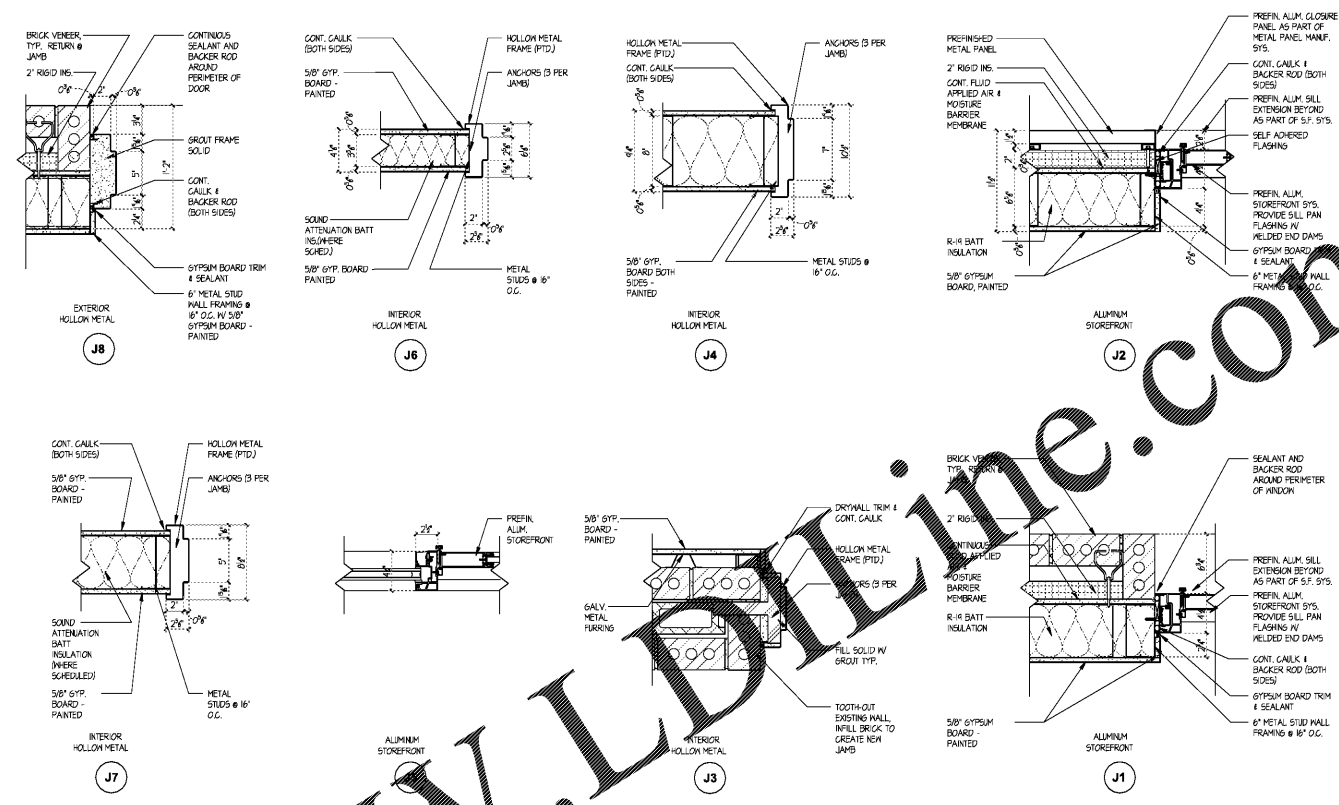
THIS DRAWING IS THE PROPERTY OF ADW ARCHITECTS, P.A. AND SHALL NOT BE REPRODUCED OR COPIED IN WHOLE OR IN PART. IT SHALL NOT BE USED ON ANY OTHER PROJECT OR GIVEN TO ANY OTHER COMPANY OR AGENCY WITHOUT THE CONSENT OF ADW ARCHITECTS, P.A.



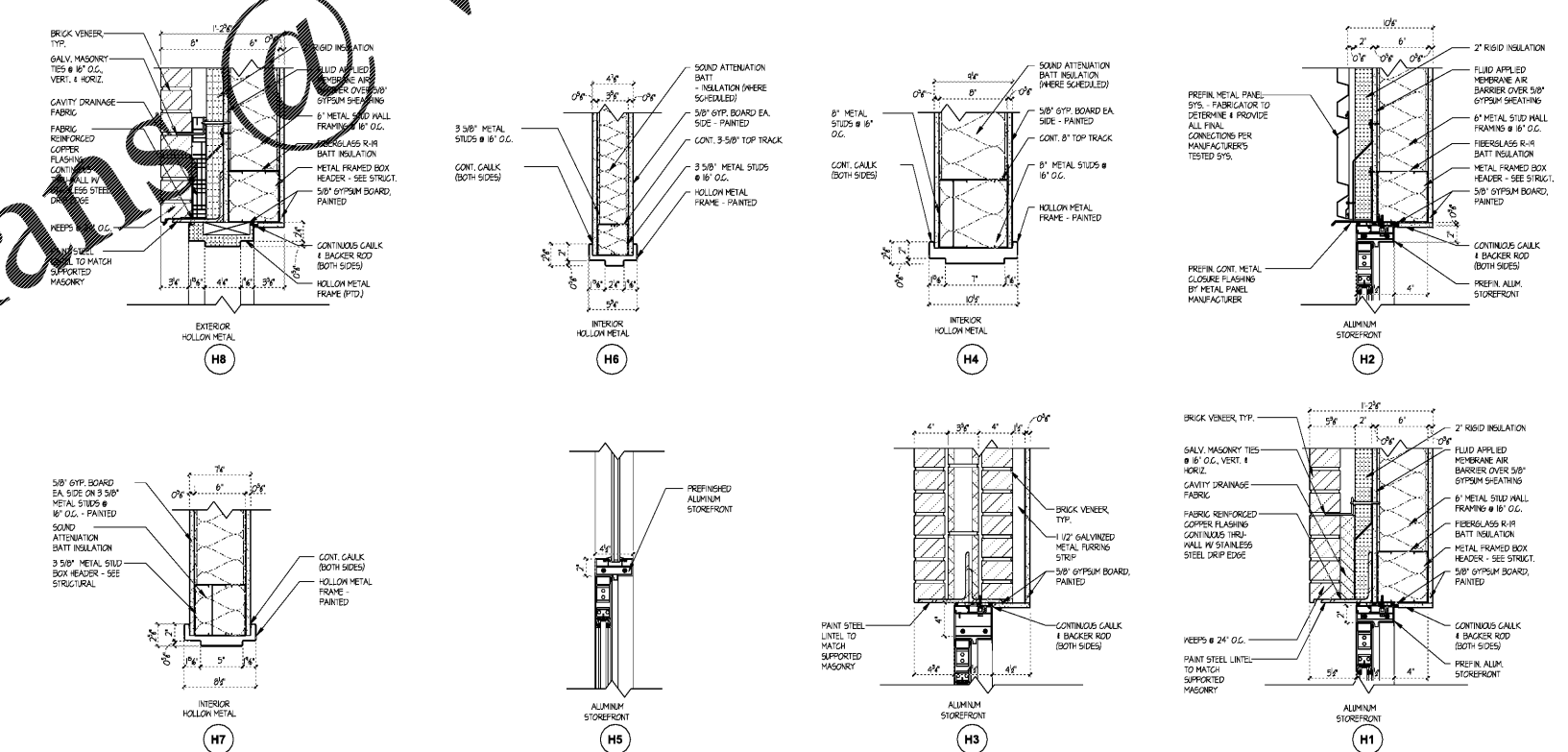
4-5-2019

SHEET NUMBER

A602



JAMB DETAILS SCALE: 1 1/2" = 1'-0" 1



HEAD DETAILS SCALE: 1 1/2" = 1'-0" 1

Order Plans @

WWW.LDLINE.COM