

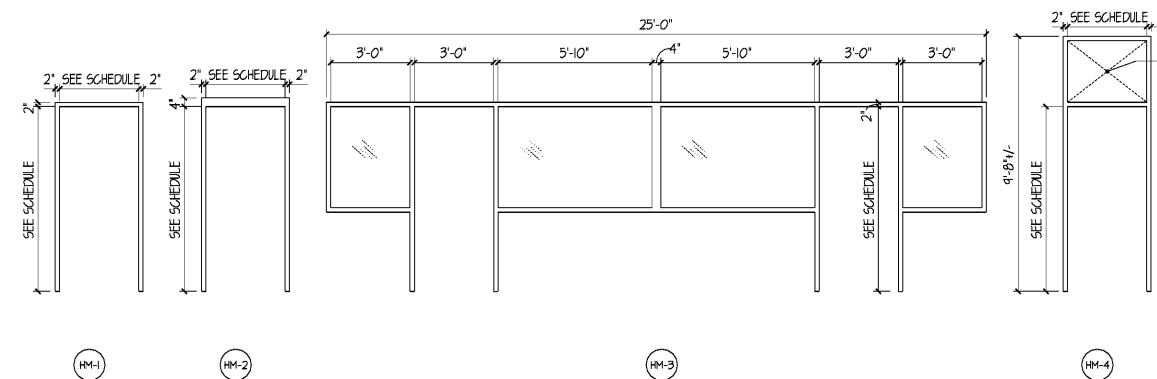
### DOOR, FRAME AND HARDWARE SCHEDULE

DOOR NUMBER	ROOM NAME	RATING	ELEVATION	DOOR			FRAME		HARDWARE				REMARKS	DOOR NUMBER			
				SIZE			TYPE	MATERIAL	SILL	CLOSER	PANIC	SMOKE SEAL			SET		
				WIDTH	HEIGHT	THICKNESS										FINISH	MATERIAL
101A	VESTIBULE	-	5	3'-0"	8'-0"	1 3/4"	CLEAR	ALUM	CW1	ALUM	H5sim	J5sim	•	•	•	S-01	101A
101B	VESTIBULE	-	5	3'-0"	8'-0"	1 3/4"	CLEAR	ALUM	CW1	ALUM	H5sim	J5sim	•	•	•	S-02	101B
102A	LOBBY	-	5	3'-0"	8'-0"	1 3/4"	CLEAR	ALUM	SF2	ALUM	H5	J5	•	•	•	S-03	102A
102B	LOBBY	-	5	3'-0"	8'-0"	1 3/4"	CLEAR	ALUM	SF2	ALUM	H5	J5	•	•	•	S-03	102B
105	RECEPTION	-	6	3'-0"	7'-0"	1 3/4"	STAIN	WOOD	HM-1	HM	H6	J6	•	•	•	S-04	105
106	SECURE	-	6	3'-0"	7'-0"	1 3/4"	STAIN	WOOD	HM-1	HM	H6	J6	•	•	•	S-05	106
107	COMPUTER LAB	-	6	3'-0"	7'-0"	1 3/4"	STAIN	WOOD	HM-1	HM	H6	J6	•	•	•	S-06	107
109	I.T.	-	3	3'-0"	7'-0"	1 3/4"	STAIN	WOOD	HM-1	HM	H6	J6	•	•	•	S-08	109
110	BREAK	-	6	3'-0"	7'-0"	1 3/4"	STAIN	WOOD	HM-1	HM	H6	J6	•	•	•	S-07	110
112	SECURITY	-	7	3'-0"	7'-0"	1 3/4"	CLEAR	ALUM	SF14	ALUM	H5	J5	•	•	•	S-09	112
113	OFFICE	-	6	3'-0"	7'-0"	1 3/4"	STAIN	WOOD	HM-1	HM	H6	J6	•	•	•	S-10	113
114	OFFICE	-	6	3'-0"	7'-0"	1 3/4"	STAIN	WOOD	HM-1	HM	H6	J6	•	•	•	S-10	114
115	OFFICE	-	6	3'-0"	7'-0"	1 3/4"	STAIN	WOOD	HM-1	HM	H6	J6	•	•	•	S-10	115
116	OFFICE	-	6	3'-0"	7'-0"	1 3/4"	STAIN	WOOD	HM-1	HM	H6	J6	•	•	•	S-10	116
117	OFFICE	-	6	3'-0"	7'-0"	1 3/4"	STAIN	WOOD	HM-1	HM	H6	J6	•	•	•	S-10	117
118	OFFICE	-	6	3'-0"	7'-0"	1 3/4"	STAIN	WOOD	HM-1	HM	H6	J6	•	•	•	S-10	118
119	OFFICE	-	6	3'-0"	7'-0"	1 3/4"	STAIN	WOOD	HM-1	HM	H6	J6	•	•	•	S-10	119
120	FILES	-	6	3'-0"	7'-0"	1 3/4"	STAIN	WOOD	HM-1	HM	H6	J6	•	•	•	S-11	120
121	OFFICE	-	6	3'-0"	7'-0"	1 3/4"	STAIN	WOOD	HM-1	HM	H6	J6	•	•	•	S-10	121
122	OFFICE	-	6	3'-0"	7'-0"	1 3/4"	STAIN	WOOD	HM-1	HM	H6	J6	•	•	•	S-10	122
123	ELECTRICAL	-	3	3'-0"	7'-0"	1 3/4"	STAIN	WOOD	HM-1	HM	H6	J6	•	•	•	S-12	123
124	CORRIDOR B	-	7	3'-0"	8'-0"	1 3/4"	STAIN	WOOD	HM-1	HM	H6	J6	•	•	•	S-13	124
125	OFFICE	-	6	3'-0"	7'-0"	1 3/4"	STAIN	WOOD	HM-1	HM	H6	J6	•	•	•	S-10	125
126	OFFICE	-	6	3'-0"	7'-0"	1 3/4"	STAIN	WOOD	HM-1	HM	H6	J6	•	•	•	S-10	126
127	CLOSET	-	3	3'-0"	7'-0"	1 3/4"	STAIN	WOOD	HM-1	HM	H6	J6	•	•	•	S-08	127
129	OFFICE	-	6	3'-0"	7'-0"	1 3/4"	STAIN	WOOD	HM-1	HM	H6	J6	•	•	•	S-10	129
130	OFFICE	-	6	3'-0"	7'-0"	1 3/4"	STAIN	WOOD	HM-1	HM	H6	J6	•	•	•	S-10	130
131	OFFICE	-	6	3'-0"	7'-0"	1 3/4"	STAIN	WOOD	HM-1	HM	H6	J6	•	•	•	S-10	131
132	OFFICE	-	6	3'-0"	7'-0"	1 3/4"	STAIN	WOOD	HM-1	HM	H6	J6	•	•	•	S-10	132
133	CLOSET	-	3	3'-0"	7'-0"	1 3/4"	STAIN	WOOD	HM-1	HM	H6	J6	•	•	•	S-08	133
135	OFFICE	-	6	3'-0"	7'-0"	1 3/4"	STAIN	WOOD	HM-1	HM	H6	J6	•	•	•	S-10	135
136	OFFICE	-	6	3'-0"	7'-0"	1 3/4"	STAIN	WOOD	HM-1	HM	H6	J6	•	•	•	S-10	136
137	RECEPTION OFFICE	-	6	3'-0"	7'-0"	1 3/4"	STAIN	WOOD	HM-1	HM	H6	J6	•	•	•	S-10	137
138	OFFICE	-	6	3'-0"	7'-0"	1 3/4"	STAIN	WOOD	HM-1	HM	H6	J6	•	•	•	S-10	138
140	SUPPLIES	-	3	3'-0"	7'-0"	1 3/4"	STAIN	WOOD	HM-1	HM	H6	J6	•	•	•	S-08	140
141	ADA TEST	-	6	3'-0"	7'-0"	1 3/4"	STAIN	WOOD	HM-1	HM	H6	J6	•	•	•	S-07	141
142	ADA TEST	-	6	3'-0"	7'-0"	1 3/4"	STAIN	WOOD	HM-1	HM	H6	J6	•	•	•	S-07	142
143	TEST VESTIBULE	-	7	3'-0"	7'-0"	1 3/4"	STAIN	WOOD	HM-1	HM	H6	J6	•	•	•	S-07	143
144	TESTING 1	-	7	3'-0"	7'-0"	1 3/4"	STAIN	WOOD	HM-3	HM	H6sim	J6sim	•	•	•	S-14	144
145	TESTING 2	-	7	3'-0"	7'-0"	1 3/4"	STAIN	WOOD	HM-3	HM	H6sim	J6sim	•	•	•	S-14	145
146	IDENTIFICATION	-	6	3'-0"	7'-0"	1 3/4"	STAIN	WOOD	HM-1	HM	H6	J6	•	•	•	S-07	146
148	MEN	-	3	3'-0"	7'-0"	1 3/4"	STAIN	WOOD	HM-1	HM	H6	J6	•	•	•	S-15	148
149	WOMEN	-	3	3'-0"	7'-0"	1 3/4"	STAIN	WOOD	HM-1	HM	H6	J6	•	•	•	S-15	149
152	OFFICE	-	7	3'-0"	7'-0"	1 3/4"	STAIN	WOOD	SF15	HM	H5	J5sim	•	•	•	S-16	152
153	OFFICE	-	6	3'-0"	7'-0"	1 3/4"	STAIN	WOOD	HM-1	HM	H6	J6	•	•	•	S-16	153
154	OFFICE	-	6	3'-0"	7'-0"	1 3/4"	STAIN	WOOD	HM-1	HM	H6	J6	•	•	•	S-10	154
155	OFFICE	-	6	3'-0"	7'-0"	1 3/4"	STAIN	WOOD	HM-1	HM	H6	J6	•	•	•	S-10	155
156	OFFICE	-	6	3'-0"	7'-0"	1 3/4"	STAIN	WOOD	HM-1	HM	H6	J6	•	•	•	S-10	156
157	OFFICE	-	6	3'-0"	7'-0"	1 3/4"	STAIN	WOOD	HM-1	HM	H6	J6	•	•	•	S-10	157
158	OFFICE	-	6	3'-0"	7'-0"	1 3/4"	STAIN	WOOD	HM-1	HM	H6	J6	•	•	•	S-10	158
159A	CORRIDOR E	-	7	3'-0"	8'-0"	1 3/4"	STAIN	WOOD	HM-1	HM	H6	J6	•	•	•	S-13	159A
159B	CORRIDOR E	-	7	3'-0"	8'-0"	1 3/4"	STAIN	WOOD	HM-1	HM	H6	J6	•	•	•	S-13	159B
160	FA COMPUTER LAB	-	6	3'-0"	7'-0"	1 3/4"	STAIN	WOOD	HM-1	HM	H6	J6	•	•	•	S-09	160
161	FILES	-	6	3'-0"	7'-0"	1 3/4"	STAIN	WOOD	HM-1	HM	H6	J6	•	•	•	S-17	161
163	CONFERENCE	-	7	3'-0"	7'-0"	1 3/4"	STAIN	WOOD	SF15	HM	H5sim	J5sim	•	•	•	S-09	163
165	STUDENT GOVT	-	6	3'-0"	7'-0"	1 3/4"	STAIN	WOOD	HM-1	HM	H6	J6	•	•	•	S-07	165
165A	SUPPLIES	-	3	3'-0"	7'-0"	1 3/4"	STAIN	WOOD	HM-1	HM	H6	J6	•	•	•	S-18	165A
166A	VESTIBULE	-	5	3'-0"	7'-0"	1 3/4"	CLEAR	ALUM	SF8	HM	H5	J5	•	•	•	S-19	166A
166B	VESTIBULE	-	5	3'-0"	7'-0"	1 3/4"	CLEAR	ALUM	SF8	HM	H5	J5	•	•	•	S-19	166B
166C	VESTIBULE	-	5	3'-0"	7'-0"	1 3/4"	CLEAR	ALUM	SF8	HM	H5	J5	•	•	•	S-20	166C
166D	VESTIBULE	-	5	3'-0"	7'-0"	1 3/4"	CLEAR	ALUM	SF8	HM	H5	J5	•	•	•	S-21	166D

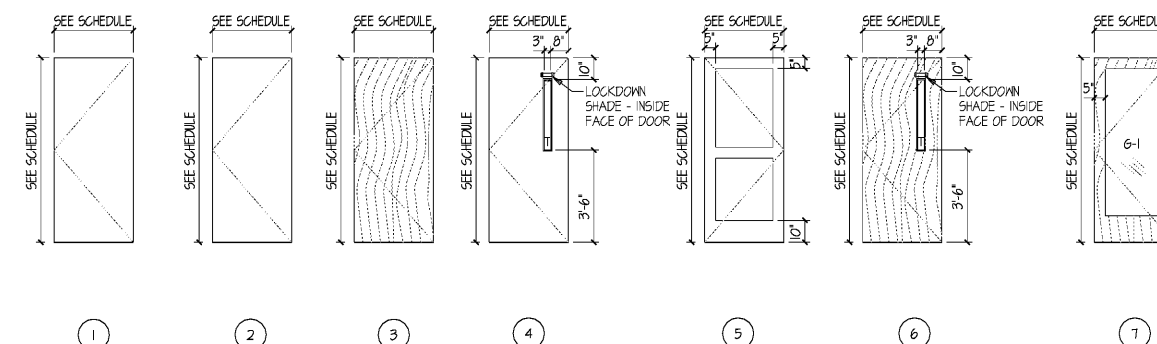
NOTES: 1. ALL DOOR HARDWARE SHALL COMPLY WITH ICC A117.1-2009 SECTION 404.2.6.  
 2. FIELD VERIFY ALL EXISTING OPENINGS PRIOR TO FABRICATION.  
 3. FOR STOREFRONT AND CURTAINWALL ELEVATIONS. SEE SHEET A603.

DOOR NUMBER	ROOM NAME	RATING	ELEVATION	DOOR			FRAME		HARDWARE				REMARKS	DOOR NUMBER			
				SIZE			TYPE	MATERIAL	SILL	CLOSER	PANIC	SMOKE SEAL			SET		
				WIDTH	HEIGHT	THICKNESS										FINISH	MATERIAL
168A	VESTIBULE	-	5	6'-0"	7'-0"	1 3/4"	CLEAR	ALUM	SF10	ALUM	H5	J5	•	•	•	S-22	168A
168B	VESTIBULE	-	5	6'-0"	7'-0"	1 3/4"	CLEAR	ALUM	SF10	ALUM	H5	J5	•	•	•	S-23	168B
170A	CONFERENCE	-	7	3'-0"	7'-0"	1 3/4"	STAIN	WOOD	HM-1	HM	H6	J6	•	•	•	S-14	170A
170B	CONFERENCE	-	7	3'-0"	7'-0"	1 3/4"	STAIN	WOOD	HM-1	HM	H6	J6	•	•	•	S-07	170B
171	OFFICE	-	6	3'-0"	7'-0"	1 3/4"	STAIN	WOOD	HM-1	HM	H6	J6	•	•	•	S-10	171
173	CORRIDOR G	-	7	3'-0"	8'-0"	1 3/4"	STAIN	ALUM	SF16	ALUM	H6	J6	•	•	•	S-13	173
174	OFFICE	-	6	3'-0"	7'-0"	1 3/4"	STAIN	WOOD	HM-1	HM	H6	J6	•	•	•	S-10	174
175	OFFICE	-	6	3'-0"	7'-0"	1 3/4"	STAIN	WOOD	HM-1	HM	H6	J6	•	•	•	S-10	175
176	OFFICE	-	6	3'-0"	7'-0"	1 3/4"	STAIN	WOOD	HM-1	HM	H6	J6	•	•	•	S-10	176
177	OFFICE	-	6	3'-0"	7'-0"	1 3/4"	STAIN	WOOD	HM-1	HM	H6	J6	•	•	•	S-10	177
178	OFFICE	-	6	3'-0"	7'-0"	1 3/4"	STAIN	WOOD	HM-1	HM	H6	J6	•	•	•	S-10	178
179	OFFICE	-	6	3'-0"	7'-0"	1 3/4"	STAIN	WOOD	HM-1	HM	H6	J6	•	•	•	S-10	179
181	OFFICE	-	6	3'-0"	7'-0"	1 3/4"	STAIN	WOOD	HM-1	HM	H6	J6	•	•	•	S-10	181
183	OFFICE	-	6	3'-0"	7'-0"	1 3/4"	STAIN	WOOD	HM-1	HM	H6	J6	•	•	•	S-10	183
184	OFFICE	-	6	3'-0"	7'-0"	1 3/4"	STAIN	WOOD	HM-1	HM	H6	J6	•	•	•	S-10	184
186	OFFICE	-	6	3'-0"	7'-0"	1 3/4"	STAIN	WOOD	HM-1	HM	H6	J6	•	•	•	S-10	186
187	OFFICE	-	6	3'-0"	7'-0"	1 3/4"	STAIN	WOOD	HM-1	HM	H6	J6	•	•	•	S-10	187
189	OFFICE	-	6	3'-0"	7'-0"	1 3/4"	STAIN	WOOD	HM-1	HM	H6	J6	•	•	•	S-10	189
191	HALL	-	7	3'-0"	8'-0"	1 3/4"	STAIN	ALUM	SF17	ALUM	H6	J6	•	•	•	S-13	191
192	OFFICE	-	6	3'-0"	7'-0"	1 3/4"	STAIN	WOOD	HM-1	HM	H6	J6	•	•	•	S-10	192
193	CONFERENCE	-	7	3'-0"	7'-0"	1 3/4"	STAIN	WOOD	HM-1	HM	H6	J6	•	•	•	S-07	193
194	MAIL/BREAK	-	6	3'-0"	7'-0"	1 3/4"	STAIN	WOOD	HM-4	HM	H6	J3sim	•	•	•	S-24	194

Door Schedule SCALE: NTS 3



Frame Elevations SCALE: 3/8"=1'-0" 2



Door Elevations SCALE: 3/8"=1'-0" 1



SCO #16-15889-02A

**RICHMOND  
 COMMUNITY  
 COL**