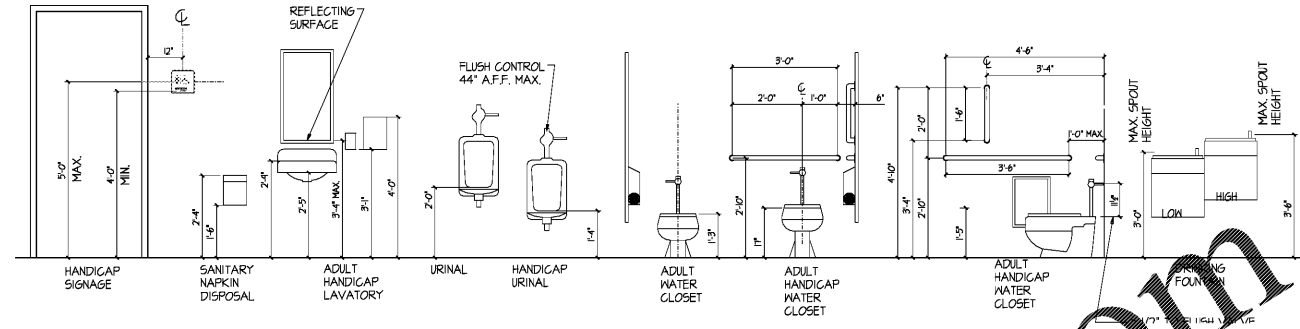


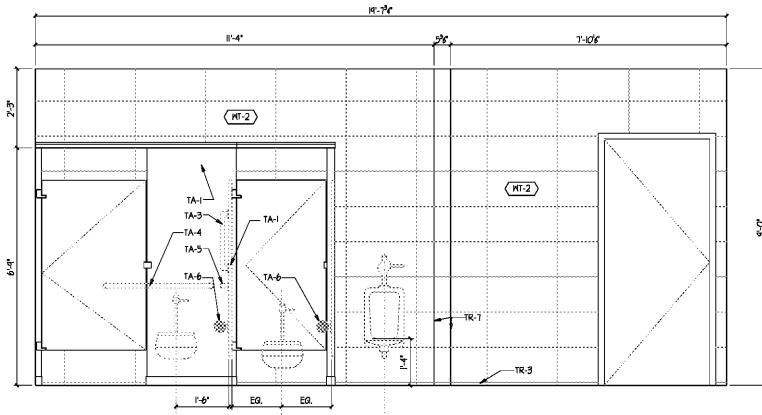
TOILET ACCESSORIES					
SYMBOL	PRODUCT	ADULT MOUNT	REMARKS	MANUFACTURER	MODEL NUMBER
TA-1	PARTITIONS	SEE SPECS	SEE A100	SEE A100	SEE A100
TA-2	COAT HOOK	48" AFF (T.O. Hook)		BOBRICK	B-612T
TA-3	GRAB BARS - 18"	48" AFF TO CL		BOBRICK	B-6806x18
TA-4	GRAB BARS - 36"	34" AFF TO CL		BOBRICK	B-6806x36
TA-5	GRAB BARS - 42"	34" AFF TO CL		BOBRICK	B-6806x42
TA-6	TOILET TISSUE DISPENSER	18" AFF	OWNER SUPPLIED/OWNER INSTALLED		
TA-7	SANITARY NAPKIN DISPOSAL	18" AFF		BOBRICK	B-210
TA-8	MIRROR	40" AFF (B.O. Mirror)		BOBRICK	B-165 Series
TA-4	PAPER TOWEL DISPENSER	40" AFF	OWNER SUPPLIED/OWNER INSTALLED		

GENERAL NOTES--TOILETS

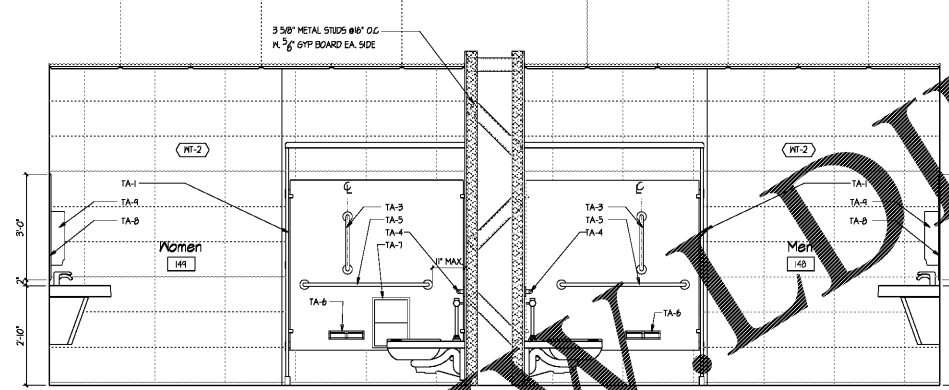
1. PROVIDE CONCEALED BLOCKING FOR ALL WALL MOUNTED ITEMS.
2. APPROVED ALTERNATE MANUFACTURERS FOR TOILET ACCESSORIES ARE BRADLEY AND AMERICAN STANDARD OR APPROVED EQUAL.
3. THE HEIGHT OF ALL ACCESSIBLE WATER CLOSETS SHALL BE 17" A.F.F. TO THE TOP OF THE TOILET SEAT.
4. THE HEIGHT OF ALL ACCESSIBLE URINALS SHALL BE 17" AFF TO THE RIM.
6. PROVIDE 48" WIDE x 8" HIGH SANITARY WALL FINISH ON BOTH SIDES OF MOP SINK. INSTALL PER MANIF.5 RECOMMENDATIONS.
7. TP - TRANSITION POINT BETWEEN FINISHES, OR CHANGES IN HEIGHTS.
8. G.C. TO COORDINATE INSTALLATION OF LIGHTS AND MIRRORS (TO BE CENTERED WITH SINKS).
9. DOOR PULLS ON BOTH SIDES.
10. HEAVY DUTY PRE-FINISHED SUPPORT BRACKET.



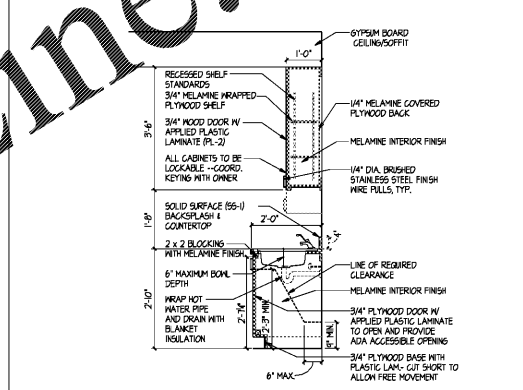
Toilet Accessory Schedule and Notes SCALE: 1/2"=1'-0" 4



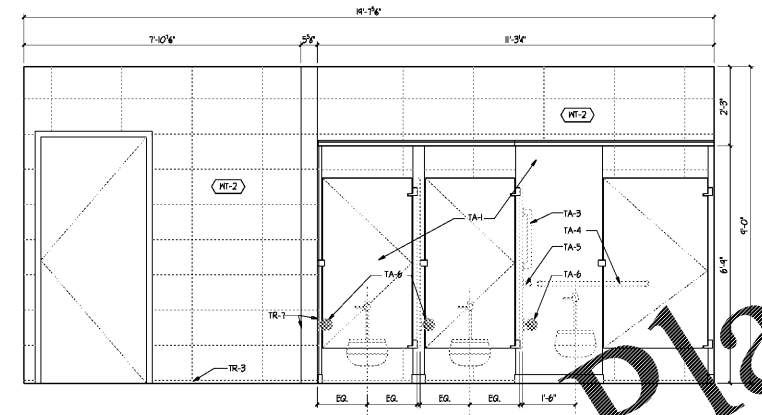
Men (148) East Elevation SCALE: 1/2"=1'-0" 19



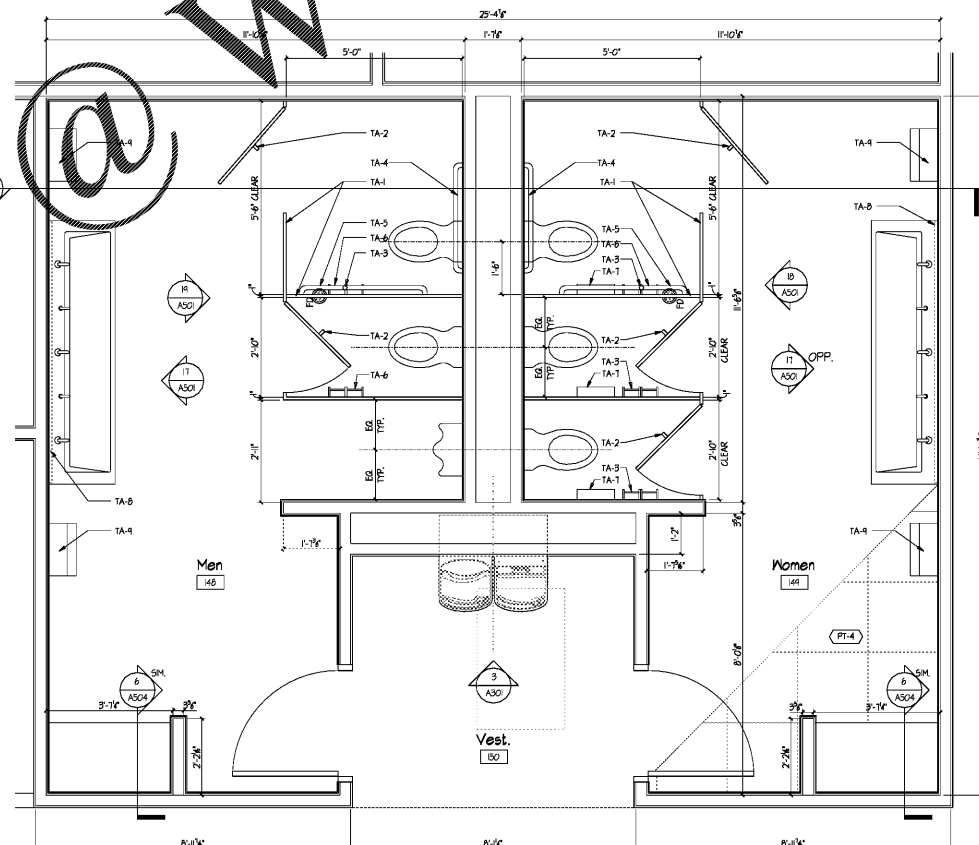
Toilet Room Section SCALE: 1/2"=1'-0" 7



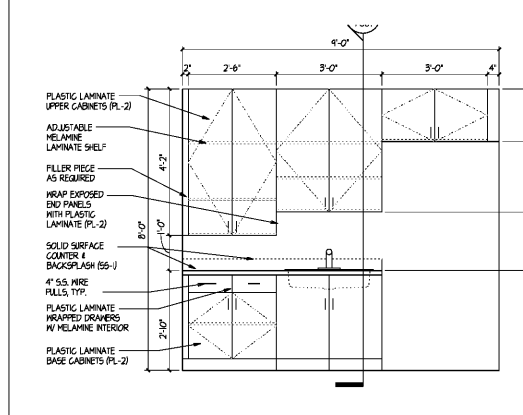
Break (110) Counter Section SCALE: 1/2"=1'-0" 3



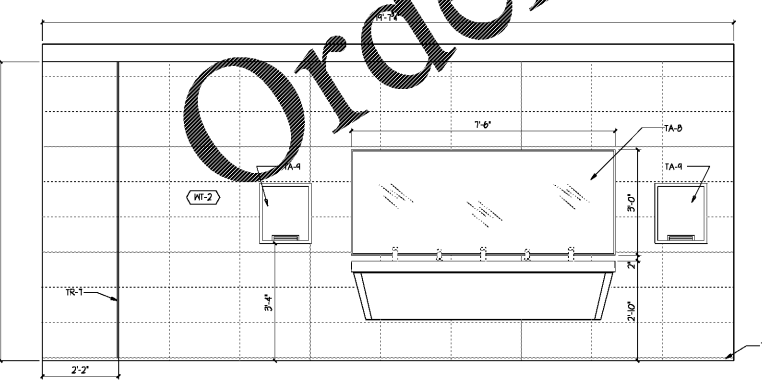
Women (149) West Elevation SCALE: 1/2"=1'-0" 18



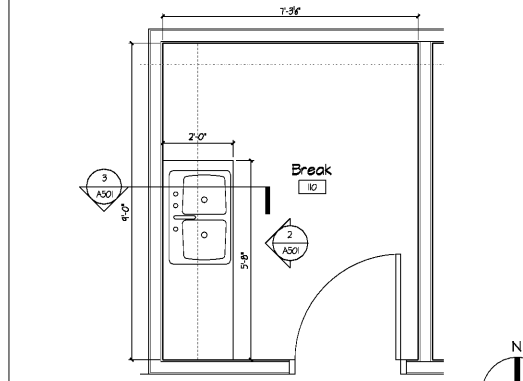
Men (148) + Women (149) Enlarged Toilet Plans SCALE: 1/2"=1'-0" 5



Break (110) West Elevation SCALE: 1/2"=1'-0" 2



Men (149) West Elevation SCALE: 1/2"=1'-0" 17



Break (110) Enlarged Plan SCALE: 1/2"=1'-0" 1

