



1927 South Tryon St., Suite 300, Charlotte, NC 28203
150 Fayetteville St., Suite 200, Raleigh, NC 27601



SCO #16-15889-02A

RICHMOND
COMMUNITY
COLLEGE

LINDSEY-PETRIS
CAFETERIA / DINING
ADDITION VOL.1

BID DOCUMENTS

ELECTRICAL DETAILS

DATE 4-5-2019
PROJECT NO 16063

REVISIONS
NO DATE DESCRIPTION:

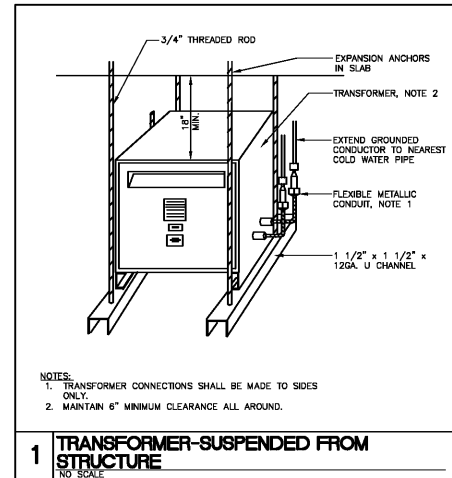
NO	DATE	DESCRIPTION:

THIS DRAWING IS THE PROPERTY OF ADW ARCHITECTS, P.A. AND SHALL NOT BE REPRODUCED OR COPIED IN WHOLE OR IN PART. IT SHALL NOT BE USED ON ANY OTHER PROJECT OR GIVEN TO ANY OTHER COMPANY OR AGENCY WITHOUT THE CONSENT OF ADW ARCHITECTS, P.A.

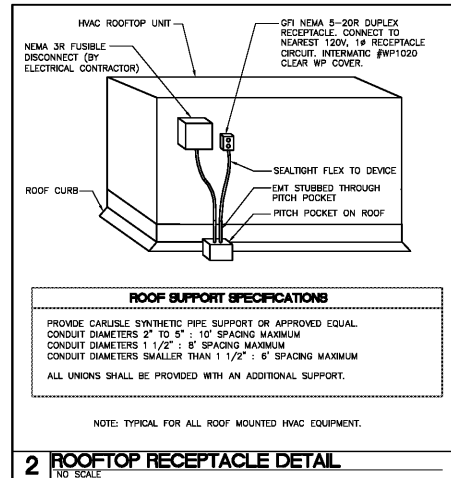


SEAL 04/02/19

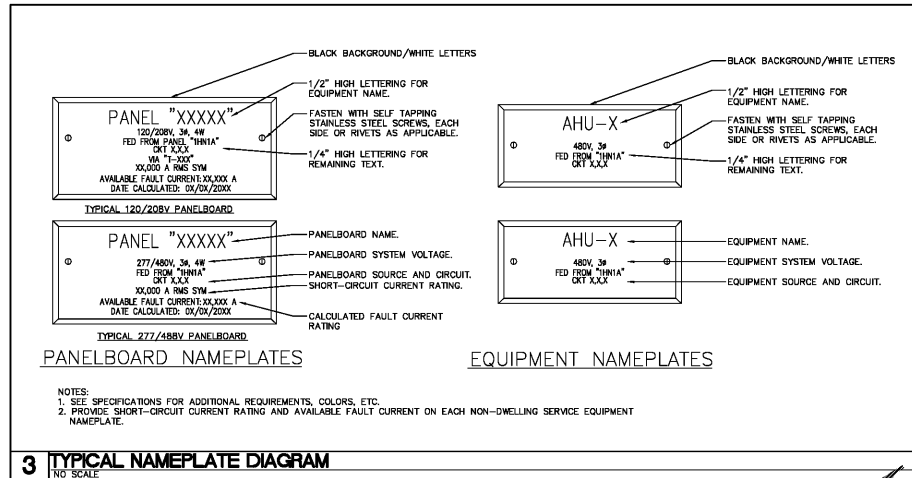
SHEET NUMBER
5 OF 11
OPTIMA # 17-0017
E005



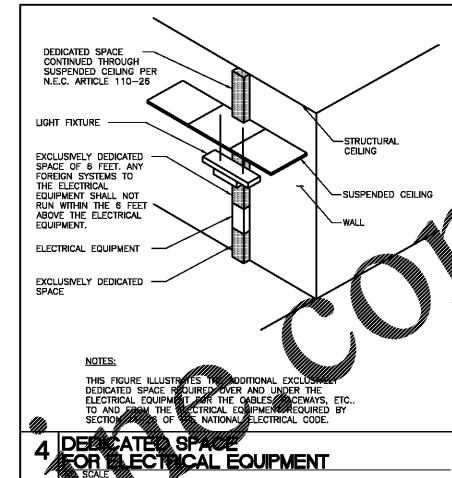
1 TRANSFORMER-SUSPENDED FROM STRUCTURE
NO SCALE



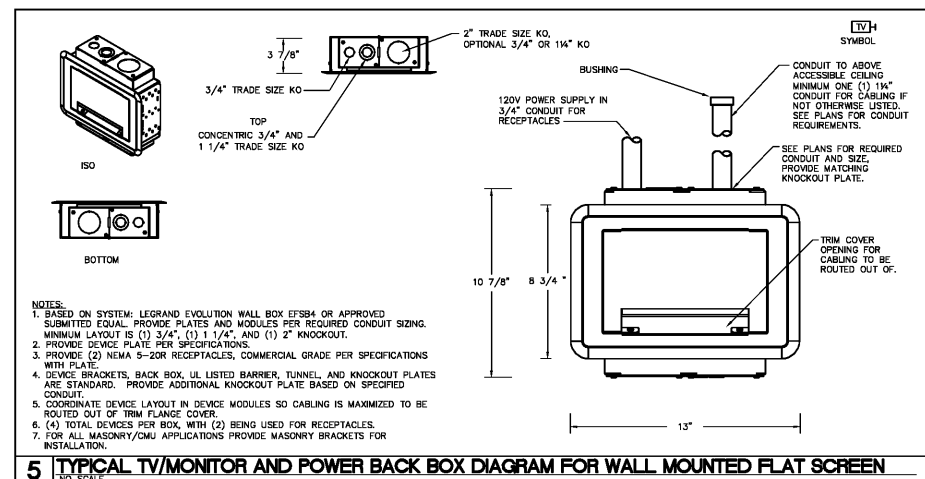
2 ROOFTOP RECEPTACLE DETAIL
NO SCALE



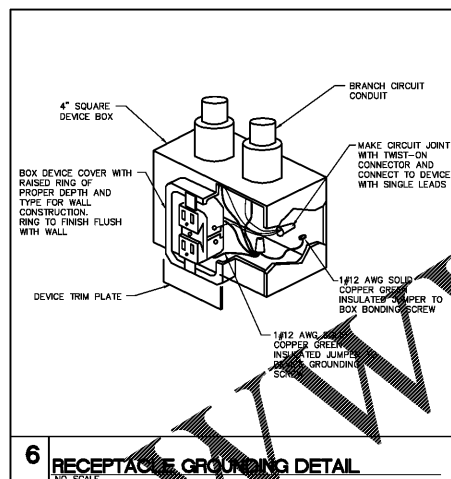
3 TYPICAL NAMEPLATE DIAGRAM
NO SCALE



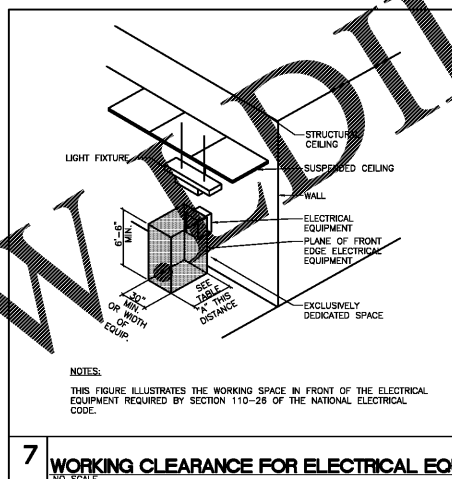
4 DEDICATED SPACE FOR ELECTRICAL EQUIPMENT
NO SCALE



5 TYPICAL TV/MONITOR AND POWER BACK BOX DIAGRAM FOR WALL MOUNTED FLAT SCREEN
NO SCALE



6 RECEPTACLE GROUNDING DETAIL
NO SCALE



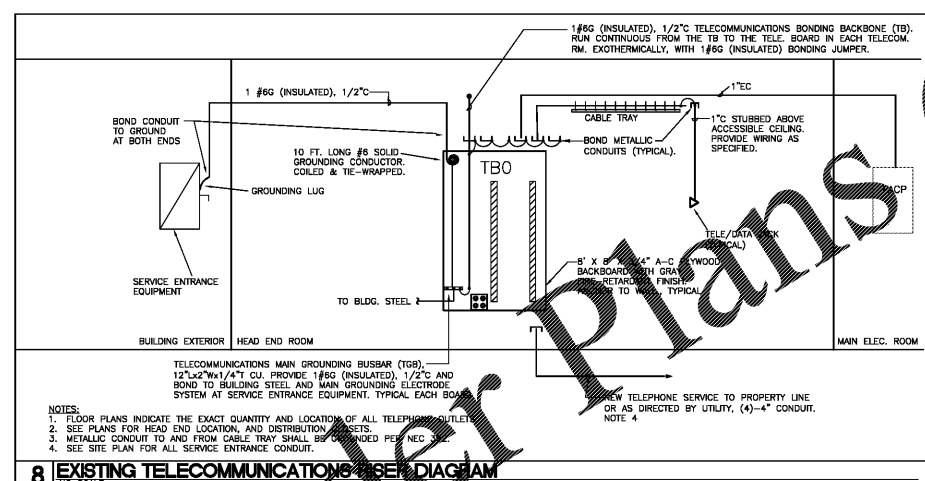
7 WORKING CLEARANCE FOR ELECTRICAL EQUIPMENT
NO SCALE

TABLE A - WORKING CLEARANCES

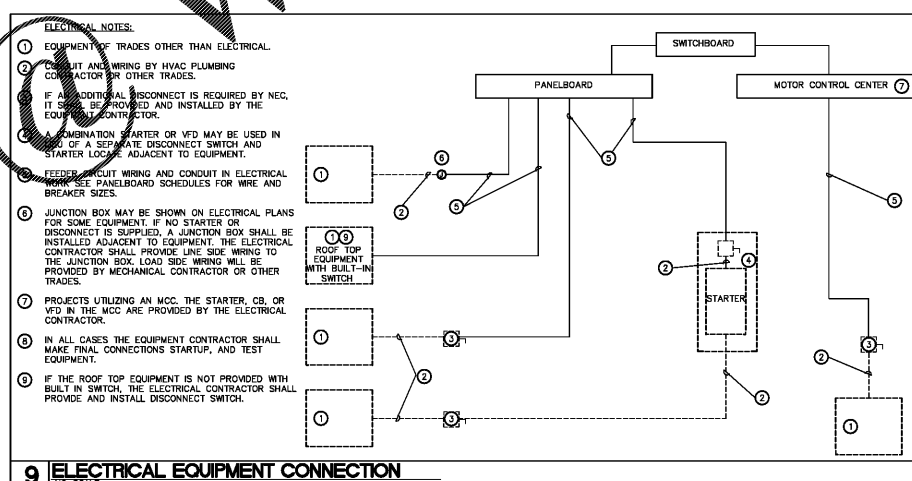
VOLTAGE TO GROUND NOMINAL	MINIMUM CLEAR DISTANCE (FEET)		
	1	2	3
0 - 150	3	3	3
151 - 600	3	3 1/2	4

WHERE THE "CONDITIONS" ARE AS FOLLOWS:

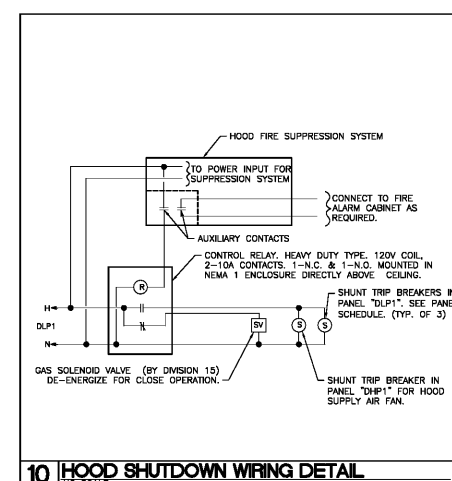
- EXPOSED LIVE PARTS ON ONE SIDE AND NO LIVE OR GROUNDING PARTS ON THE OTHER SIDE OF THE WORKING SPACE, OR EXPOSED PARTS ON BOTH SIDES EFFECTIVELY GUARDED BY SUITABLE WOOD OR OTHER INSULATING MATERIALS. INSULATED WIRE OR INSULATED BUSBARS OPERATING AT NOT OVER 300V SHALL NOT BE CONSIDERED LIVE PARTS.
- EXPOSED LIVE PARTS ON ONE SIDE AND GROUNDING PARTS ON THE OTHER SIDE.
- EXPOSED LIVE PARTS ON BOTH SIDES OF THE WORK SPACE (NOT GUARDED AS PROVIDED IN CONDITION 1) WITH THE OPERATOR BETWEEN.



8 EXISTING TELECOMMUNICATIONS USER DIAGRAM
NO SCALE



9 ELECTRICAL EQUIPMENT CONNECTION
NO SCALE



10 HOOD SHUTDOWN WIRING DETAIL
NO SCALE

Order Plans