



1927 South Tryon St., Suite 300, Charlotte, NC 28203
150 Fayetteville St., Suite 500, Raleigh, NC 27601
Phone: 704-359-1292 • www.optimaengineering.com



SCO #16-15889-02A

RICHMOND
COMMUNITY
COLLEGE

LINDSEY-PETRIS
CAFETERIA / DINING
ADDITION VOL.1

BID DOCUMENTS

MECHANICAL DETAILS

DATE 4-5-2019
PROJECT NO 16063

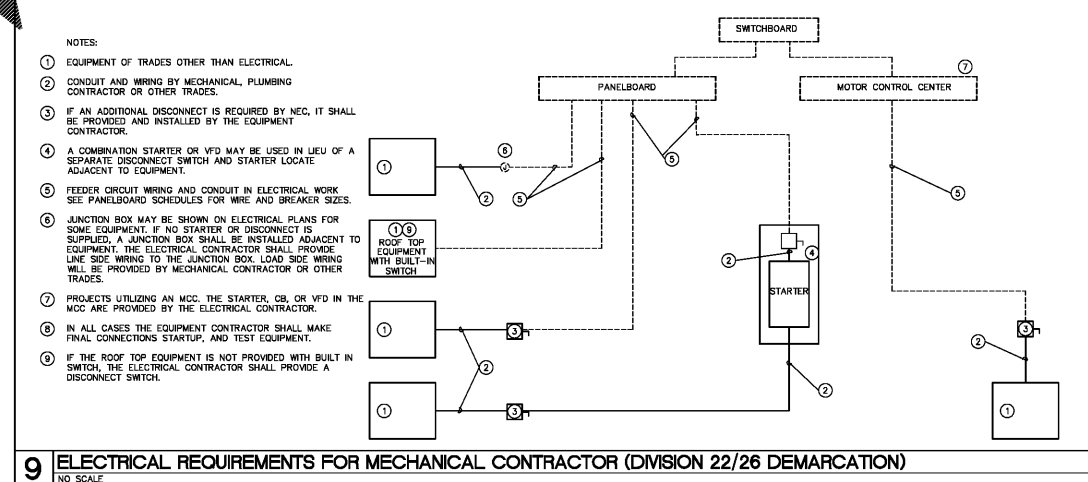
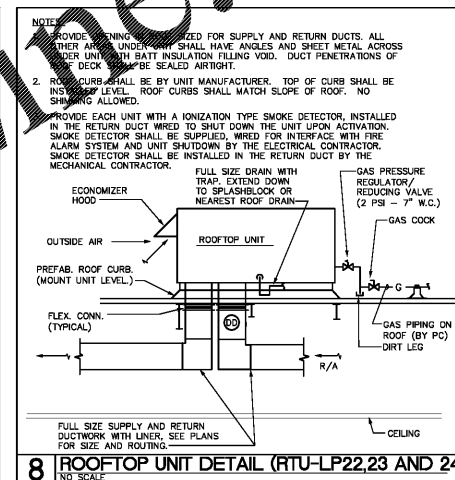
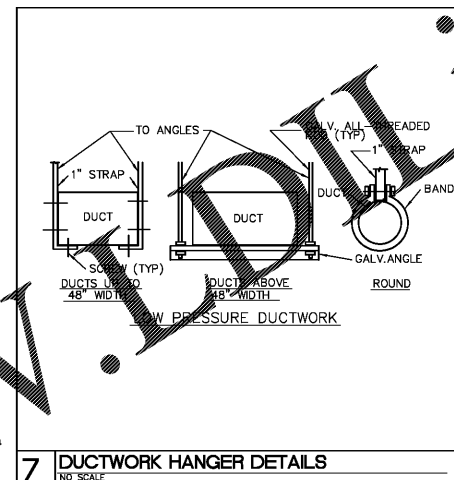
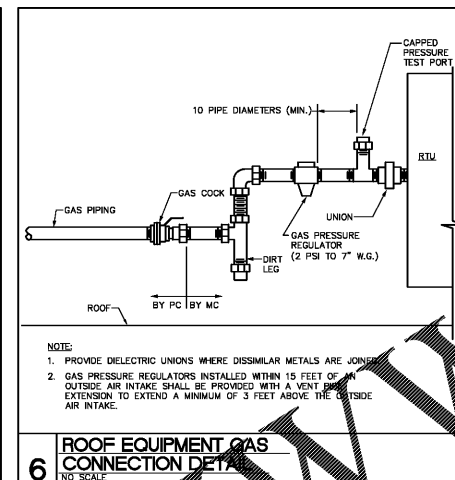
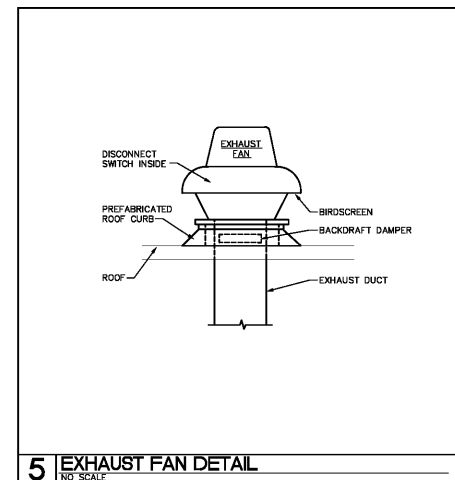
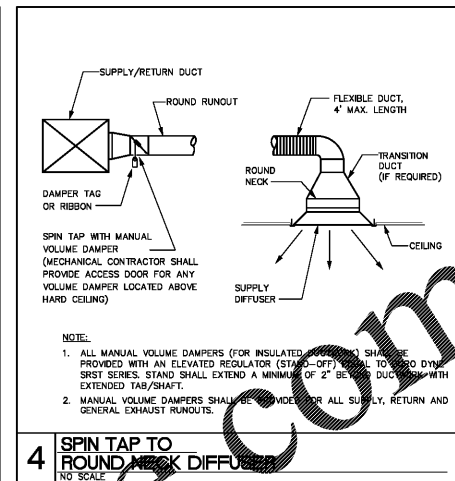
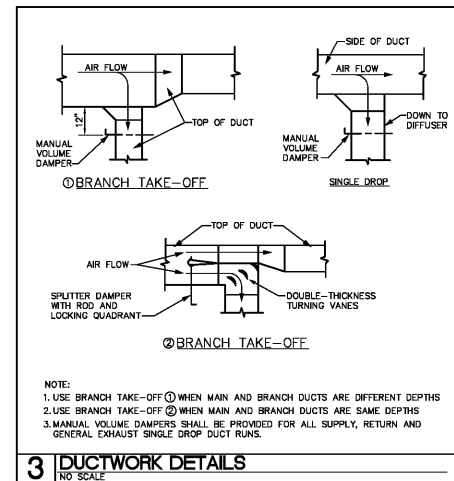
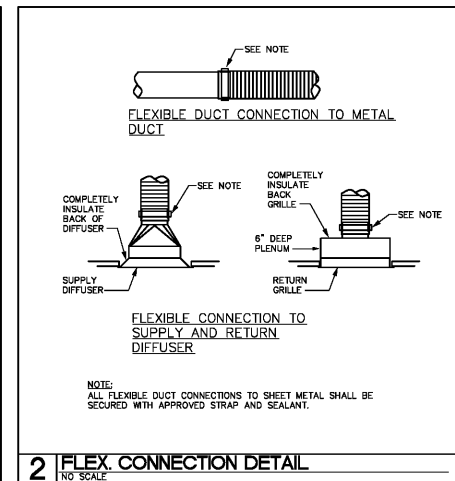
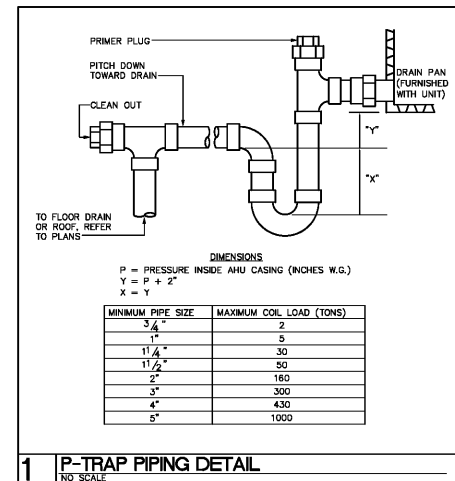
NO	DATE	DESCRIPTION

THIS DRAWING IS THE PROPERTY OF ADW ARCHITECTS, P.A. AND SHALL NOT BE REPRODUCED OR COPIED IN WHOLE OR IN PART. IT SHALL NOT BE USED ON ANY OTHER PROJECT OR GIVEN TO ANY OTHER COMPANY OR AGENCY WITHOUT THE CONSENT OF ADW ARCHITECTS, P.A.



SEAL 04/20/19

SHEET NUMBER
6 OF 6
M201
OPTIMA # 17-0017



Order Plans @ WWW.VOL1ME.COM