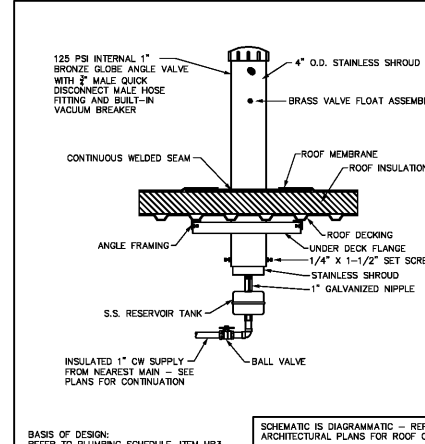
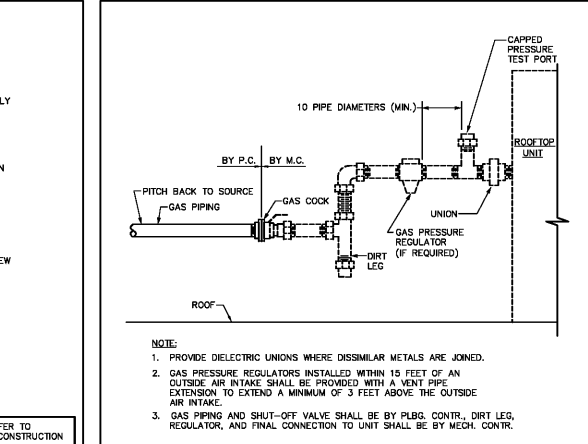


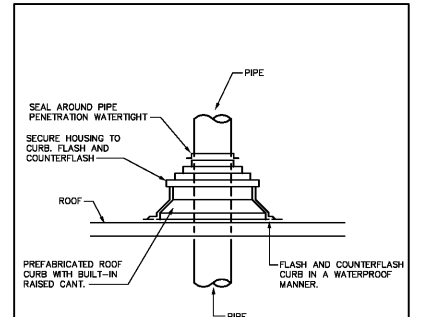
1 GREASE INTERCEPTOR - GRS1
SCALE: NONE



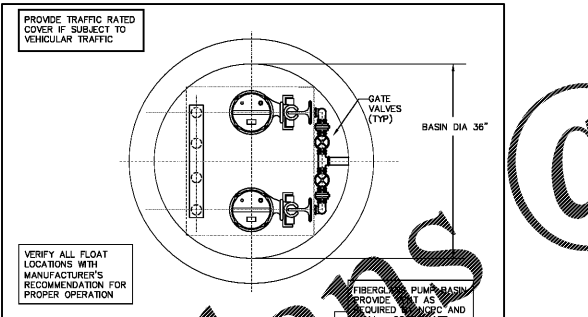
2 ROOF HYDRANT DETAIL (H3)
NO SCALE



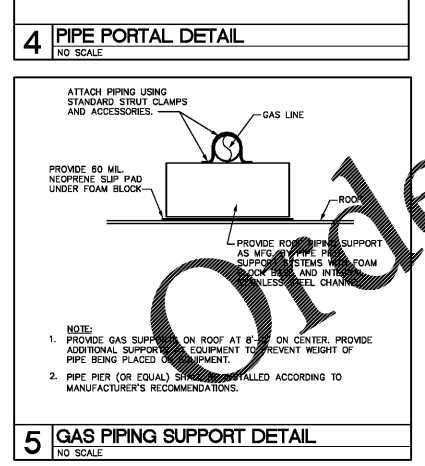
3 ROOF EQUIPMENT GAS CONNECTION DETAIL
NO SCALE



4 PIPE PORTAL DETAIL
NO SCALE



6 DUPLEX SUMP PUMP SCHEMATIC
NO SCALE



5 GAS PIPING SUPPORT DETAIL
NO SCALE

SYM.	DESCRIPTION	STORAGE (GALLONS)	GAS BURNER DATA			FLUE SIZE	SELECTION BASED ON			REMARKS
			INLET PRESS. (N. W.C.)	BTU/HR INPUT	GPH RECOVERY @ 100°F RISE		MANUFACTURER	MODEL		
WH1	GAS FIRED WATER HEATER	60	8	120,000	138	3\"/>				

SYM.	DESCRIPTION	VOLUME (GALLONS)	DIAMETER (INCHES)	HEIGHT (INCHES)	SELECTION BASED ON			REMARKS
					MANUFACTURER	MODEL		
ET1	BLADDER TYPE EXPANSION TANK	6.4	12\"/>					

SYM	DESCRIPTION	TYPE	CAPACITY (GPM)	ELECTRICAL DATA	SELECTION BASED ON			REMARKS			
					HEAD (FT)	HP	MODEL				
RCE1	HW RECIRC PUMP	IN-LINE	4	1/12	1/2	1	60	BELL & GOSSETT NSF-90/LW	1,2,3		
GR1	GRINDER PUMP	GRINDER	50	40	2	HP	20	3	60	LIBERTY PUMPS D3872,S0203	4-9

SYM.	DESCRIPTION	INLET/OUTLET SIZE	FLOW RATE (GPM)	CAPACITY (GALLONS)	SELECTION BASED ON			REMARKS
					MANUFACTURER	MODEL		
GRS1	GREASE INTERCEPTOR, 1 EACH	4	400	1,000	PROCEPT	GMC-1000-UPC	1,2	

SYM.	DESCRIPTION	INLET	OUTLET	HW	CW	GAS	REMARKS
4	3-COMPARTMENT SINK	FS	FS	1 1/2\"/>			

SYM.	DESCRIPTION	CONNECTIONS (IN.)			SPECIFICATION	REMARKS
		W	V	CW		
E1	WATER CLOSET, HET, ELONGATED BOWL, WALL HUNG, BATTERY POWERED SENSOR OPERATED FLUSH VALVE, 1.28 GPF	4\"/>				

DRAWING SYMBOL	FIXTURE UNITS	PDI WH201 STANDARD DESIGNATION	ARRESTOR SIZE	APPROVED MANUFACTURERS
SA-A	1-11	A	1/2\"/>	

adwarchitects
environmentsforlife
architecture planning interiors
8 coliseum centre,
2815 coliseum drive, suite 500
charlotte, north carolina 28217
fj 704 379 1919
fj 704 379 1920
www.adwarchitects.com

optima engineering
1927 South Tryon St., Suite 305, Charlotte, NC 28203
150 Fayetteville St., Suite 520, Raleigh, NC 27601
Phone: 704-359-1292 • www.optimaengineering.com

RICHMOND COMMUNITY COLLEGE
SCO #16-15889-02A

RICHMOND COMMUNITY COLLEGE

LINDSEY-PETRIS
CAFETERIA / DINING
ADDITION VOL. 1

BID DOCUMENTS
SCHEDULES AND DETAILS - PLUMBING

DATE 4-5-2019
PROJECT NO 16063

NO	DATE	DESCRIPTION

THIS DRAWING IS THE PROPERTY OF ADW ARCHITECTS, P.A. AND SHALL NOT BE REPRODUCED OR COPIED IN WHOLE OR IN PART. IT SHALL NOT BE USED ON ANY OTHER PROJECT OR GIVEN TO ANY OTHER COMPANY OR PERSON WITHOUT THE CONSENT OF ADW ARCHITECTS, P.A.

North Carolina Professional Engineer Seal
LINDSEY-PETRIS
REGISTERED PROFESSIONAL ENGINEER
No. 26023
C. FOWLER, P.E.

SHEET NUMBER **P002**
OPTIMA # 17-0017