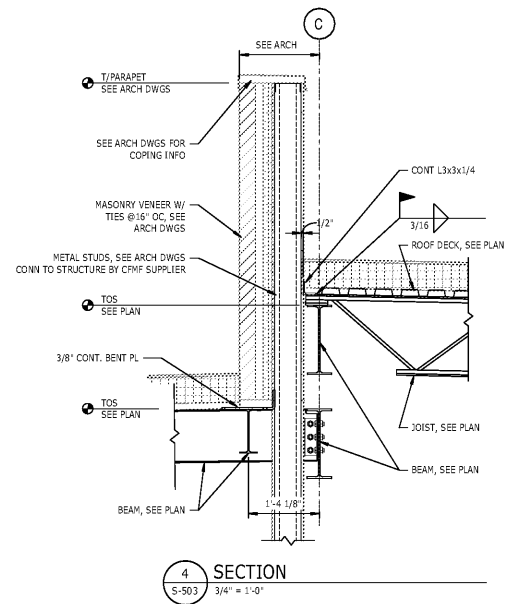
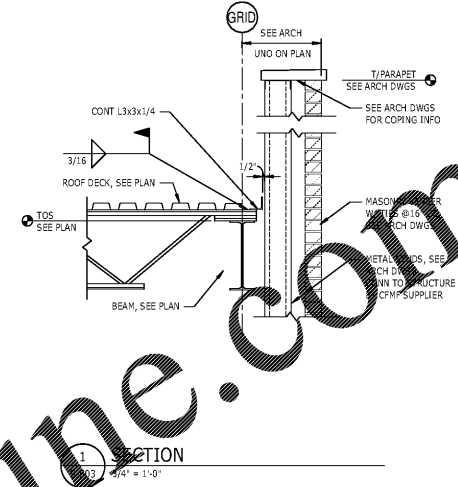


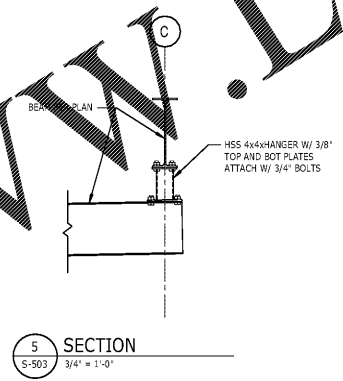
Order Plans @ [www.LDILine.com](http://www.LDILine.com)



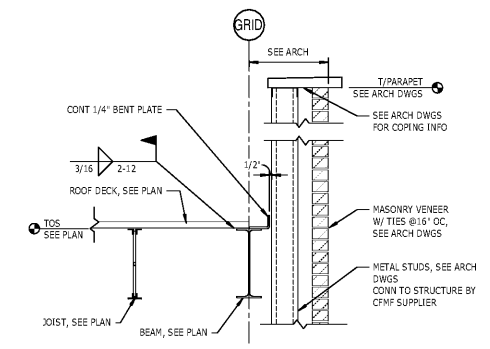
4 SECTION  
S-503 3/4" = 1'-0"



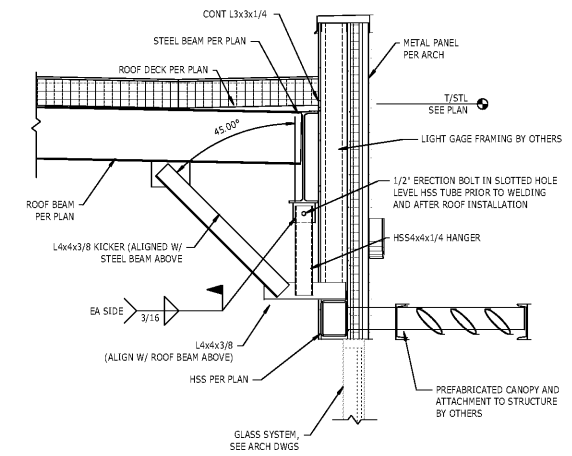
1 SECTION  
S-503 3/4" = 1'-0"



5 SECTION  
S-503 3/4" = 1'-0"



2 SECTION  
S-503 3/4" = 1'-0"



3 SECTION  
S-503 3/4" = 1'-0"

**adwarchitects**  
environments of life  
architecture planning interiors  
2815 COLISEUM CENTRE DRIVE  
SUITE 600  
CHARLOTTE, NORTH CAROLINA 28217  
P 704.379.1919  
F 704.379.1920  
www.adwarchitects.com

**STEWART**  
108 N TRYON ST SUITE 1400 CHARLOTTE, NC 28202  
704.334.7925 FIRM LICENSE #C-1051 S18017



SCO #16-15889-02A  
**RICHMOND COMMUNITY COLLEGE**

LINDSEY-PETRIS CAFETERIA / DINING ADDITION VOL.1

BID DOCUMENTS

**ROOF FRAMING SECTIONS**

DATE: 4-5-2019  
PROJECT NO: 16063

REVISIONS  
NO. DATE DESCRIPTION:

THIS DRAWING IS THE PROPERTY OF ADW ARCHITECTS, P.A. AND SHALL NOT BE REPRODUCED OR COPIED IN WHOLE OR PART. IT SHALL NOT BE USED ON ANY OTHER PROJECT OR GIVEN TO ANY OTHER COMPANY OR AGENCY WITHOUT THE CONSENT OF ADW ARCHITECTS, P.A.



SHEET NUMBER

**S-503**