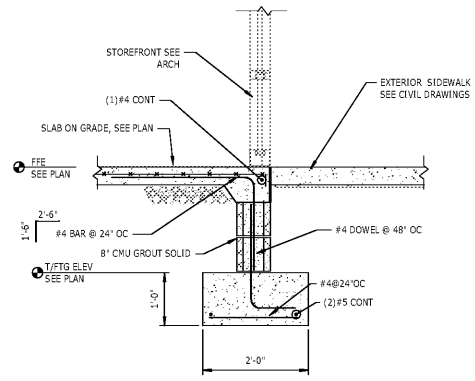
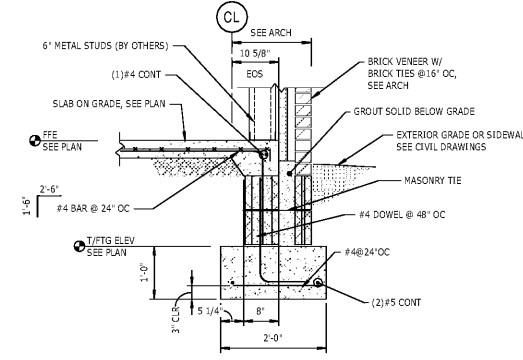


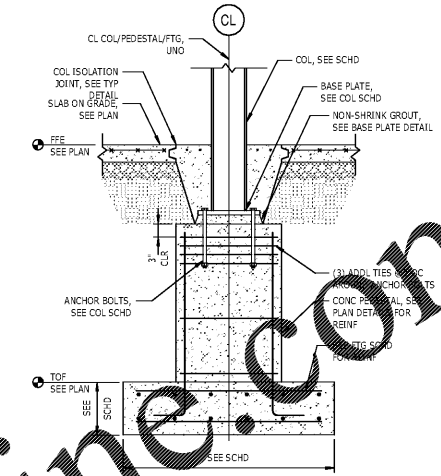
Order Plans @ WWW.LDILine.com



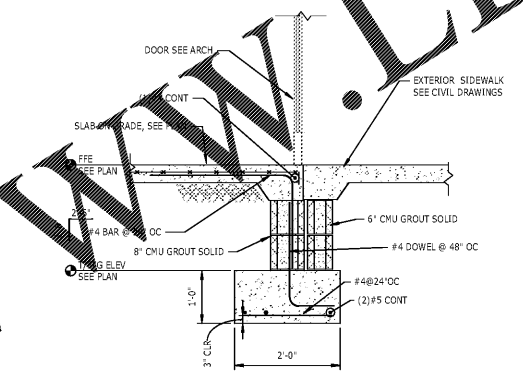
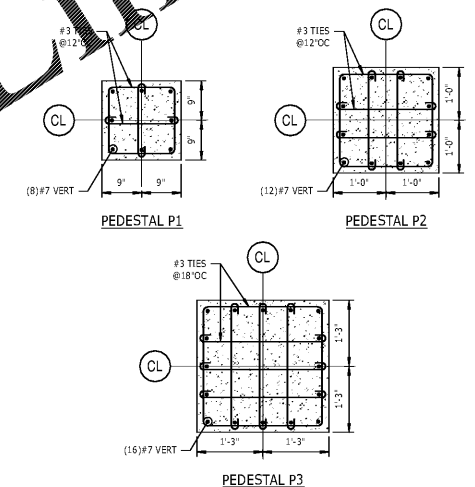
7 SECTION  
S-302 3/4" = 1'-0"



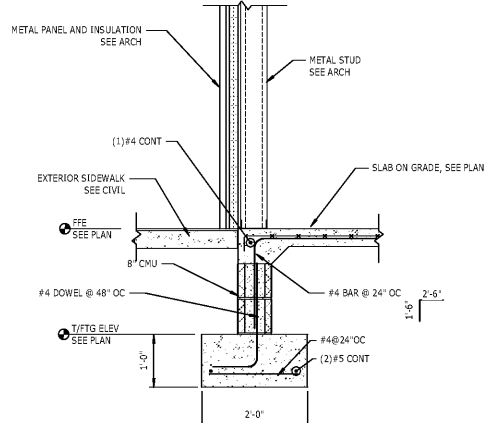
4 SECTION  
S-302 3/4" = 1'-0"



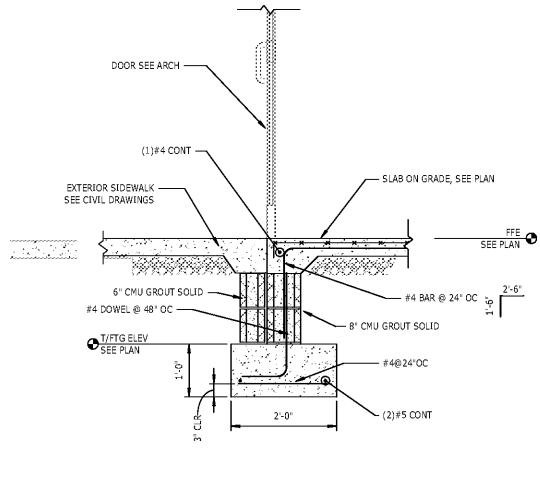
1 TYPICAL SPREAD FOOTING AT STEEL COLUMN WITH PEDESTAL  
S-302 3/4" = 1'-0"



5 SECTION  
S-302 3/4" = 1'-0"



6 SECTION  
S-302 3/4" = 1'-0"



3 SECTION  
S-302 3/4" = 1'-0"