

| FOOTING SCHEDULE | | | | | | | |
|------------------|-------|-------|-------|-------|-------|-------|----|
| MARK | F3 | F4 | F5 | F6 | F7 | F8 | F9 |
| | | | | | | | |
| | 3'-0" | 4'-0" | 5'-0" | 6'-0" | 7'-0" | 8'-0" | |
| | 1'-0" | 1'-0" | 1'-0" | 1'-3" | 1'-3" | 1'-3" | |
| | NA | NA | NA | NA | NA | NA | NA |
| | (4)#5 | (6)#5 | (6)#5 | (7)#5 | (8)#6 | (9)#6 | |

8 SCHEDULE
S-301 3/4" x 1'-0"

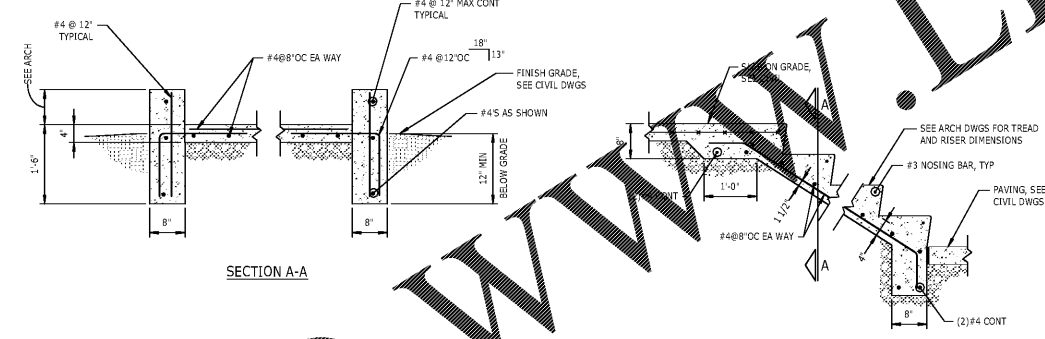
7 DETAIL
S-301 SLAB ON GRADE REPAIR
NTS

NOTES:
1. SEE ARCHITECTURAL AND PLUMBING DRAWINGS FOR LOCATIONS WHERE EXISTING SLAB REMOVAL AND REPLACEMENT IS REQUIRED.
2. INSTALL ANY TRENCHES REQUIRED FOR UPFIT WITH COMPACTED #57 STONE PRIOR TO REPLACING SLAB ON GRADE.
3. SEAL JOINT IN NEW VAPOR BARRIER WITH EXISTING.

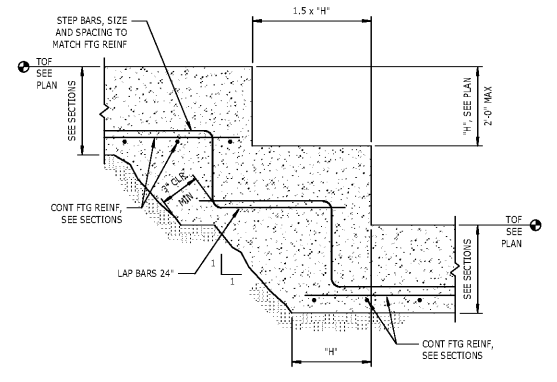
4 DETAIL
S-301 TYPICAL DEPRESSION IN SLAB ON GRADE
NTS

1 DETAIL
S-301 TYPICAL SLAB ON GRADE
NTS

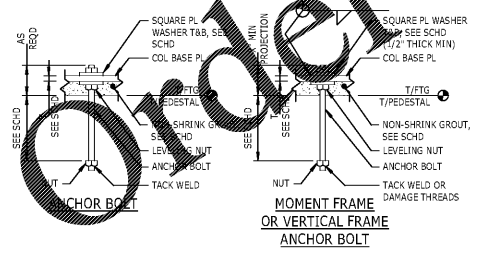
NOTES:
1. SEE NOTES 5, THICKNESS PLANS.
2. LOCATION OF SLAB ON GRADE CONSTRUCTION JOINTS SHALL BE DETERMINED BY THE CONTRACTOR. JOINT LOCATIONS SHALL BE SUBMITTED TO THE ENGINEER FOR APPROVAL PRIOR TO CONSTRUCTION.
3. SEE PLAN FOR LOCATION OF CONTROL JOINTS. WHERE NOT SHOWN ON PLAN, CONTACT THE ENGINEER.
4. SAW CUT CONTROL JOINTS WITHIN 8 HOURS OF SLAB POUR.



5 DETAIL
S-301 TYPICAL STEPS ON GRADE WITH CONCRETE WALLS
NTS

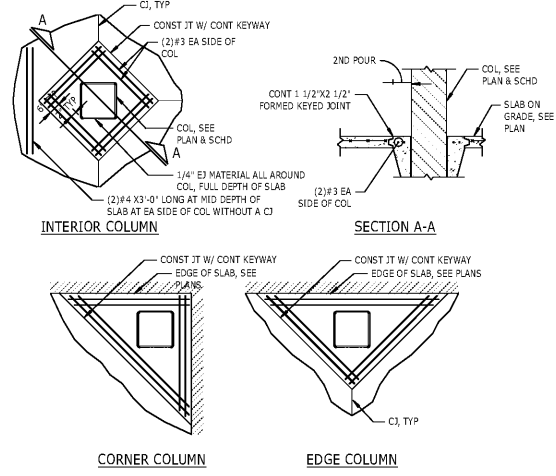


2 DETAIL
S-301 TYPICAL STEP IN CONCRETE WALL FOOTING
NTS

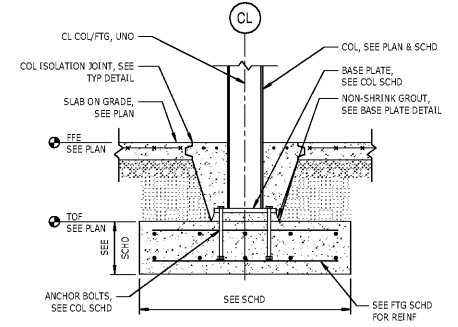


9 STEEL COLUMN BASE PLATES
S-301 3/4" x 1'-0"

| BOLT SIZE | 3/4"Ø | 1"Ø | 1 1/4"Ø | 1 1/2"Ø | 1 3/4"Ø | 2"Ø |
|-----------------------|---------|---------|---------|-------------|---------|---------|
| DIMENSION 'C' | 1 1/2" | 2" | 2" | 2 1/4" | 2 1/2" | 2 3/4" |
| SQUARE PL WASHER SIZE | 1/4"x2" | 3/8"x3" | 1/2"x3" | 1/2"x3 1/2" | 5/8"x4" | 3/4"x5" |
| GROUT THICKNESS | 2" | 2" | 2" | 3" | 3" | 3" |



6 DETAIL
S-301 COLUMN ISOLATION JOINTS, HSS COLUMNS
NTS



3 DETAIL
S-301 TYPICAL SPREAD FOOTING AT STEEL COLUMN
NTS

NOTES:
1. COAT BASE PLATE, ANCHOR BOLTS, AND COLUMN BELOW SLAB ON GRADE WITH AN APPROVED ASPHALT PAINT.