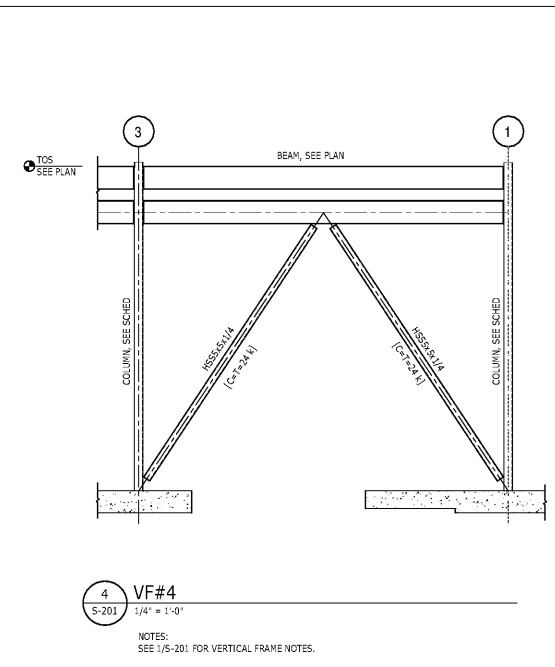
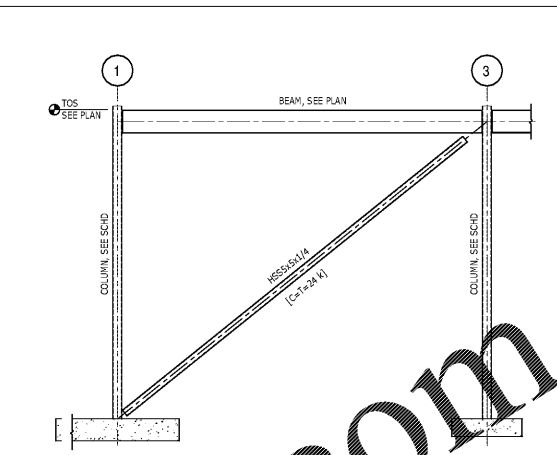


Order Plans @ WWW.LDILINE.COM



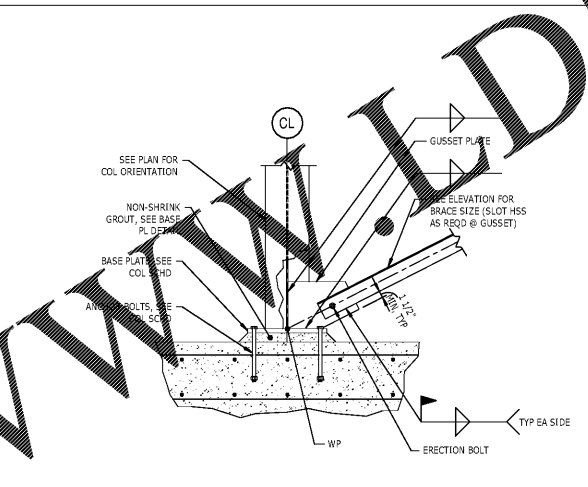
4 VF#4
S-201 1/4" = 1'-0"

NOTES:
SEE 1/5-201 FOR VERTICAL FRAME NOTES.



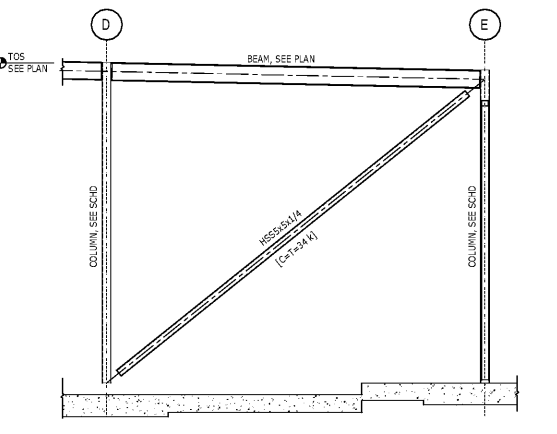
1 VF#1
S-201 1/4" = 1'-0"

NOTES:
1. CENTROIDS OF MEMBERS SHOWN UNDO, UNO.
2. (NO) INDICATES BRACE AND REACTION FORCES IN KIPS. 'T' DENOTES THE BRACE IS IN TENSION, 'C' DENOTES THE BRACE IS IN COMPRESSION. FORCES ARE LISTED IN KIPS.
3. 'R' INDICATES BEAM REACTION (KIPS).
4. 'M' INDICATES BEAM MOMENT (KIPS) FROM ADJACENT BEAM.
5. FABRICATOR SHALL DESIGN ALL BEAM TO COLUMN CONNECTIONS WITHIN VERTICAL FRAME TO SUPPORT THE HORIZONTAL AND VERTICAL COMPONENTS OF THE BRACE FORCE PLUS THE BEAM REACTION SHOWN ON THE ELEVATION. ALLOWABLE STRESS INCREASES OR LOAD REDUCTIONS ARE NOT PERMITTED.



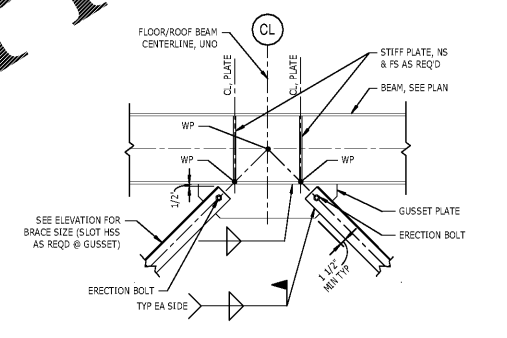
5 SECTION
S-201

NOTES:
1. FABRICATOR SHALL DESIGN ALL BEAM TO COLUMN CONNECTIONS, GUSSET PLATES, AND WELDS WITHIN VERTICAL FRAME TO SUPPORT THE HORIZONTAL AND VERTICAL COMPONENTS OF THE BRACE FORCE PLUS THE BEAM REACTION SHOWN ON THE ELEVATION. ALLOWABLE STRESS INCREASES OR LOAD REDUCTIONS ARE NOT PERMITTED.



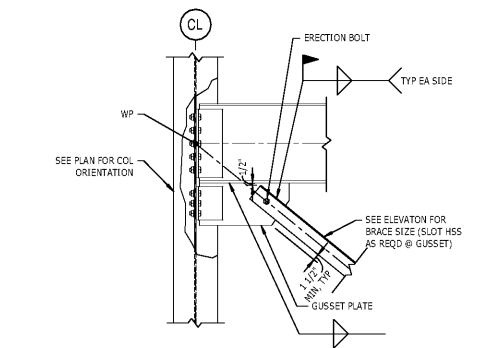
2 VF#3
S-201 1/4" = 1'-0"

NOTES:
SEE 1/5-201 FOR VERTICAL FRAME NOTES.



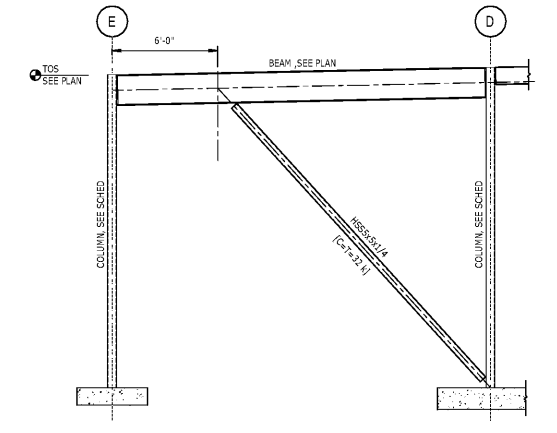
9 SECTION
S-201

NOTES:
1. FABRICATOR SHALL DESIGN ALL BEAM TO COLUMN CONNECTIONS, GUSSET PLATES, AND WELDS WITHIN VERTICAL FRAME TO SUPPORT THE HORIZONTAL AND VERTICAL COMPONENTS OF THE BRACE FORCE PLUS THE BEAM REACTION SHOWN ON THE ELEVATION. ALLOWABLE STRESS INCREASES OR LOAD REDUCTIONS ARE NOT PERMITTED.
2. 'WP' INDICATES WORK POINT FOR MEMBER CENTROIDS.



6 SECTION
S-201

NOTES:
1. FABRICATOR SHALL DESIGN ALL BEAM TO COLUMN CONNECTIONS, GUSSET PLATES, AND WELDS WITHIN VERTICAL FRAME TO SUPPORT THE HORIZONTAL AND VERTICAL COMPONENTS OF THE BRACE FORCE PLUS THE BEAM REACTION SHOWN ON THE ELEVATION. ALLOWABLE STRESS INCREASES OR LOAD REDUCTIONS ARE NOT PERMITTED.



3 VF#2
S-201 1/4" = 1'-0"

NOTES:
SEE 1/5-201 FOR VERTICAL FRAME NOTES.