



SCO #16-15889-02A

**RICHMOND
COMMUNITY
COLLEGE**

LINDSEY-PETRIS
CAFETERIA/DINING
ADDITION VOL.1

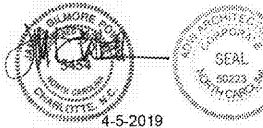
BID DOCUMENTS

ENLARGED PLANS &
DETAILS

DATE: 04.05.2019
PROJECT NO: 16063

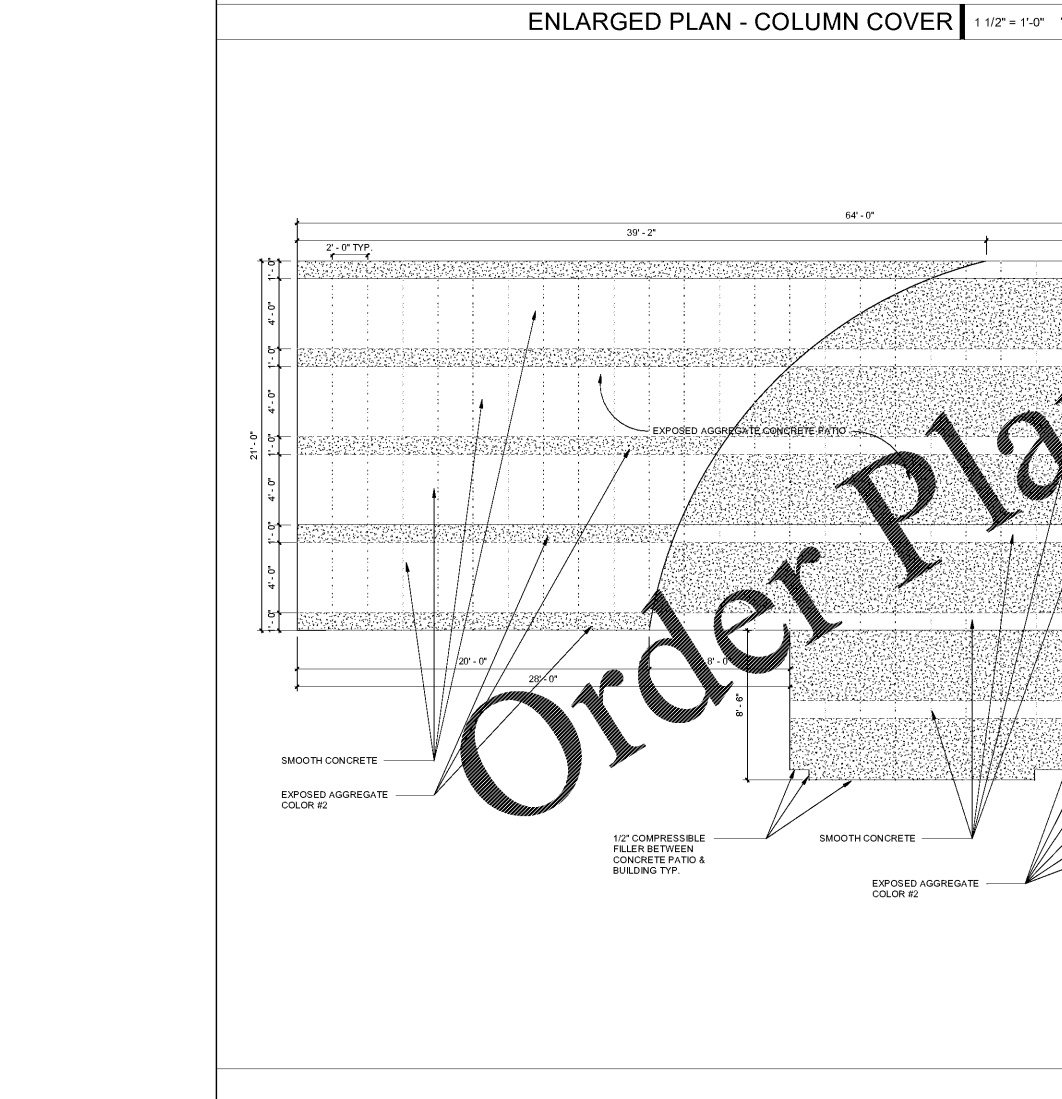
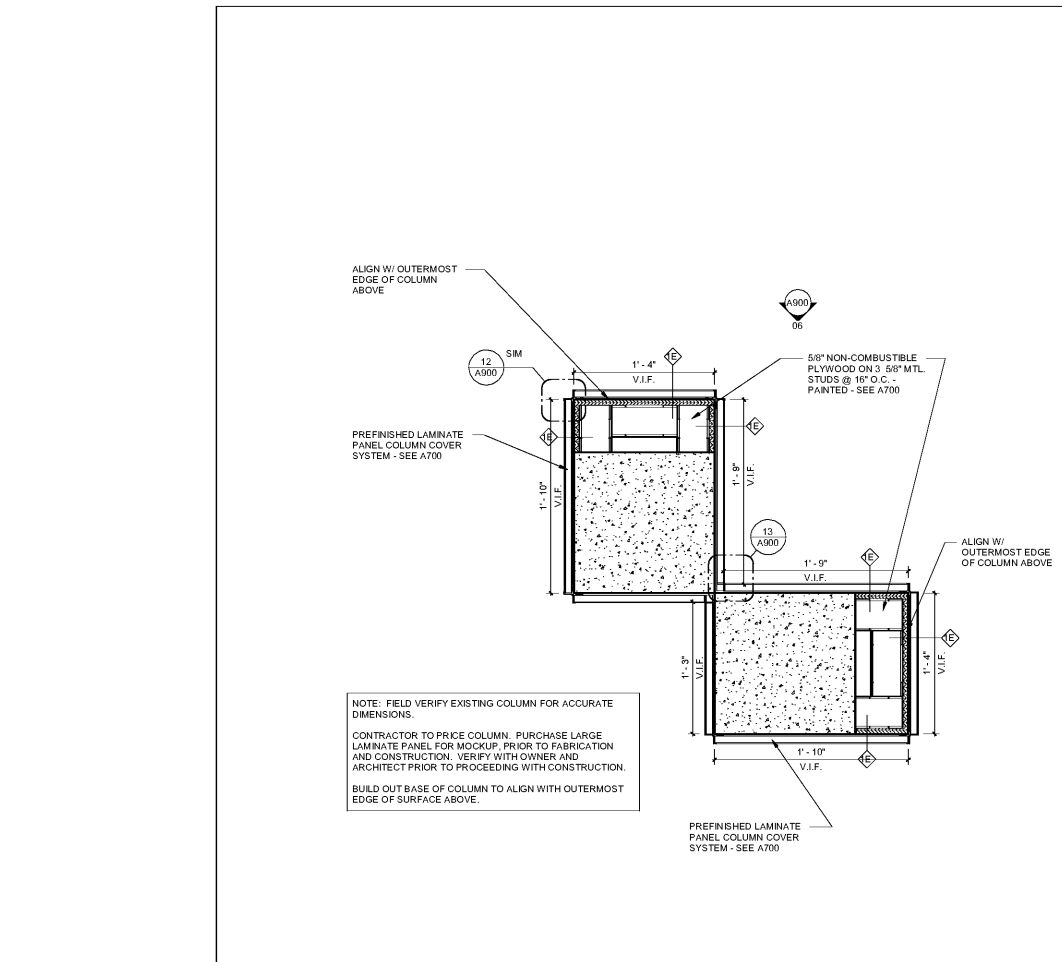
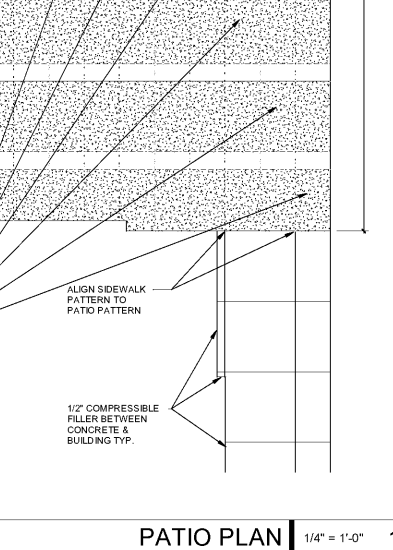
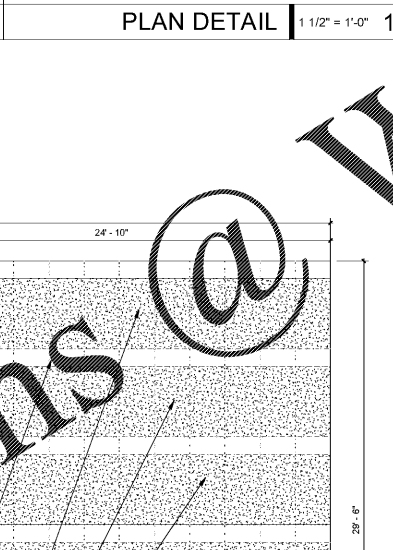
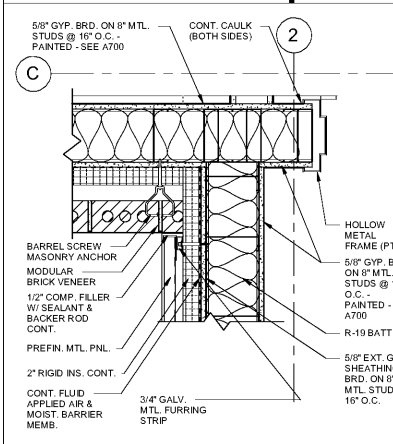
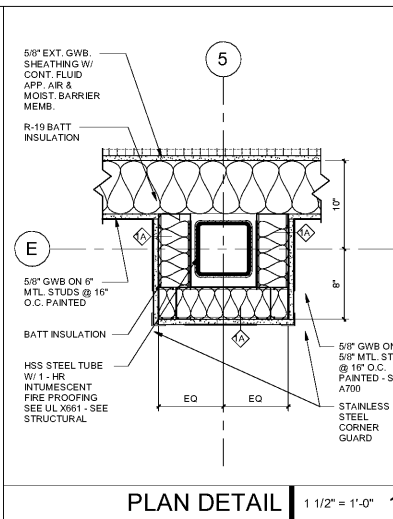
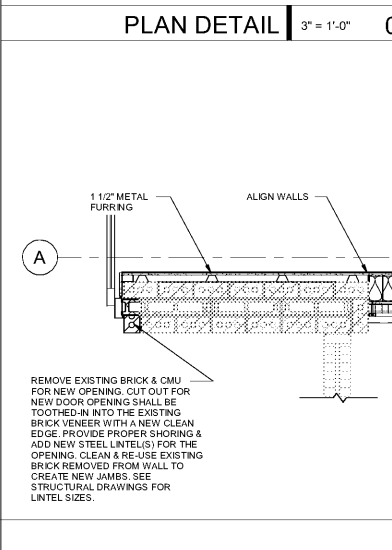
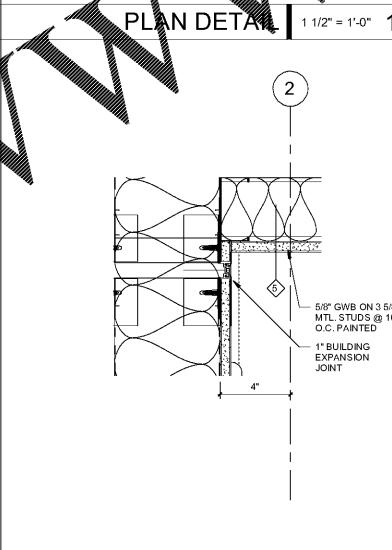
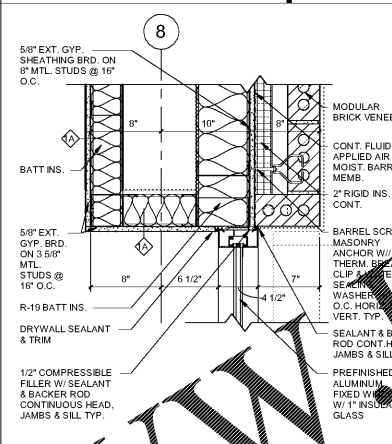
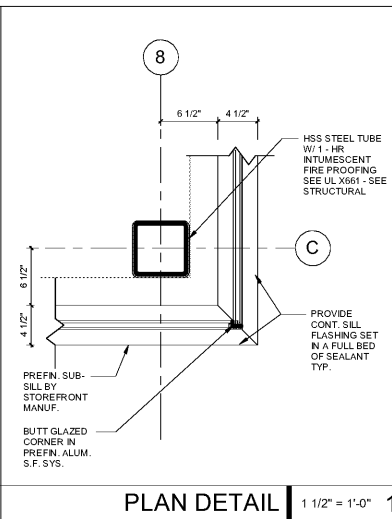
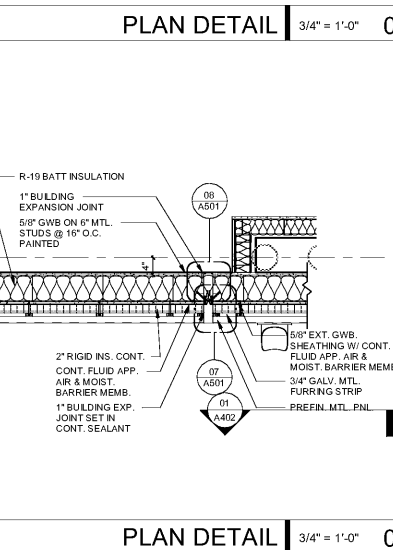
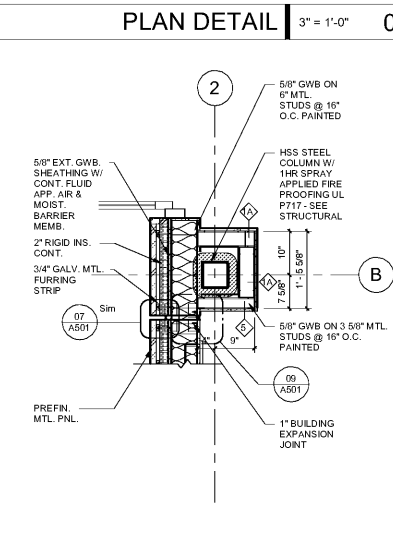
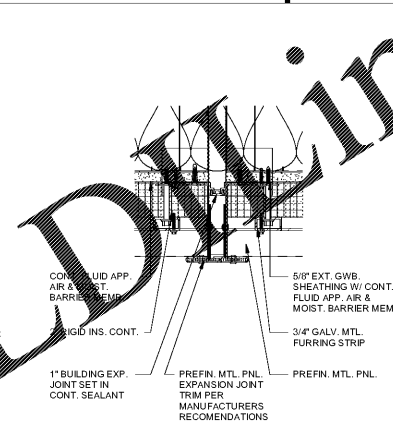
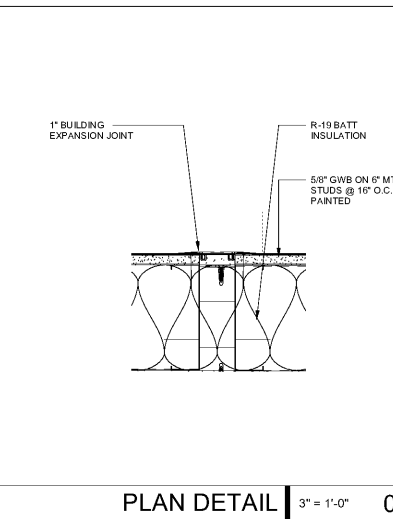
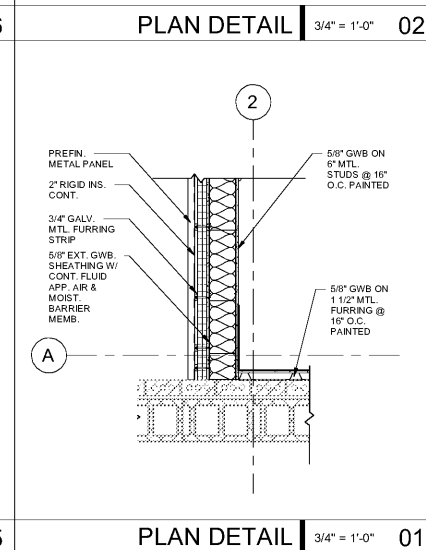
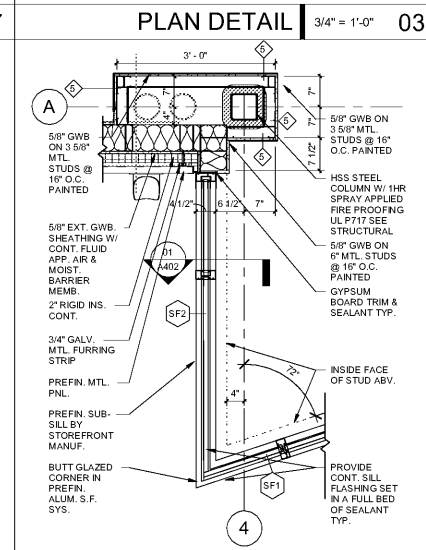
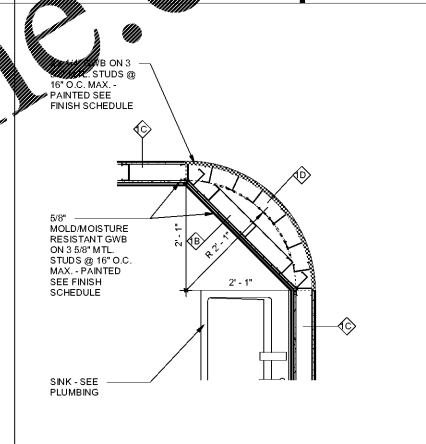
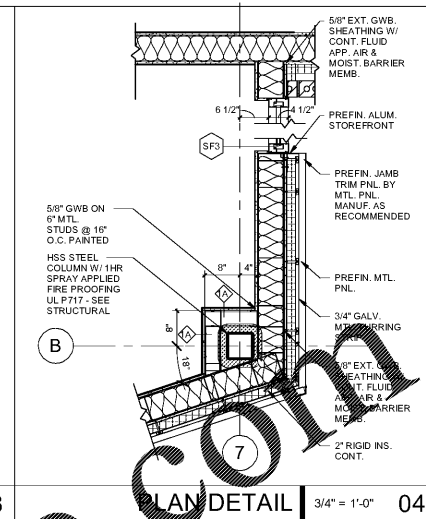
REVISIONS
NO. DATE: DESCRIPTION:

THIS DRAWING IS THE PROPERTY OF ADW ARCHITECTS, P.A. AND SHALL NOT BE REPRODUCED OR COPIED IN WHOLE OR PART. IT SHALL NOT BE USED ON ANY OTHER PROJECT OR GIVEN TO ANY OTHER COMPANY OR AGENCY WITHOUT THE CONSENT OF ADW ARCHITECTS, P.A.



4-5-2019
SHEET NUMBER

A501



Order Plans @

WWW.Dwline.com