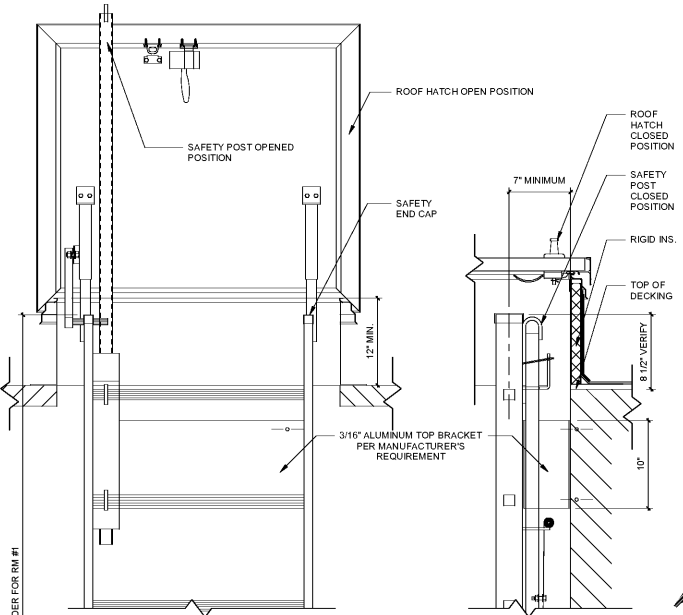
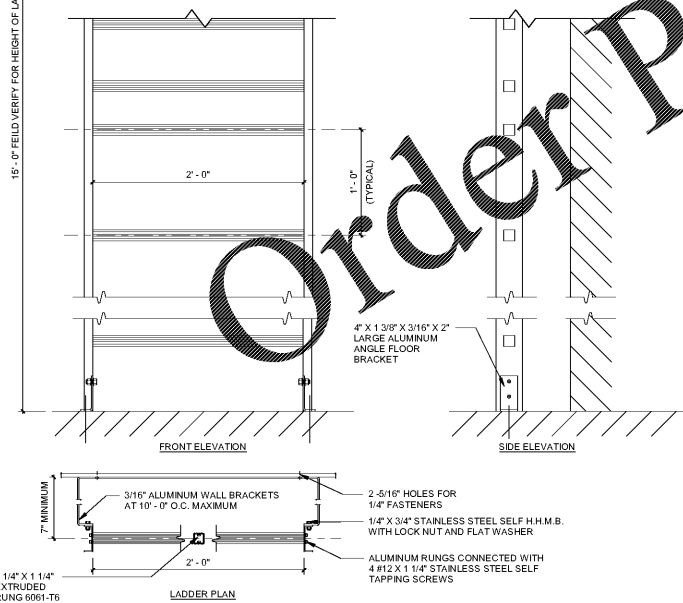


ROOF HATCH DETAIL NTS 11



ROOF HATCH DETAIL NTS 11



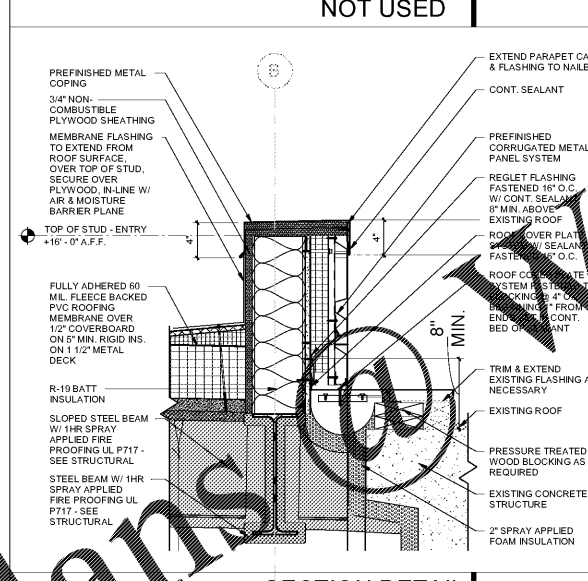
ROOF HATCH DETAIL NTS 11



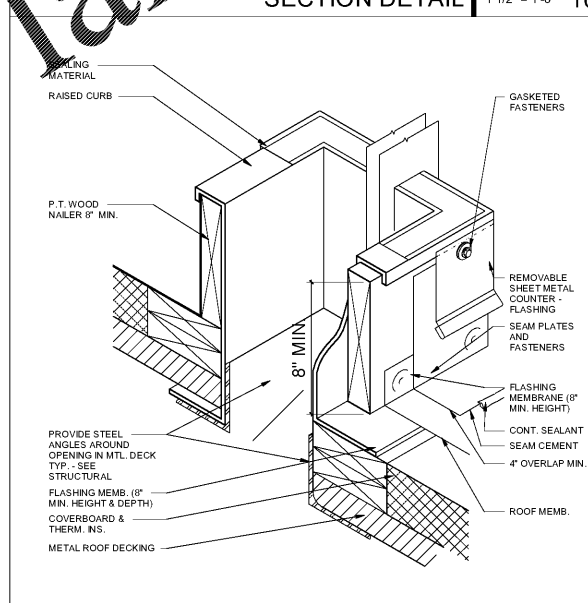
MECH. CURB - ISOMETRIC 3" = 1'-0" 09



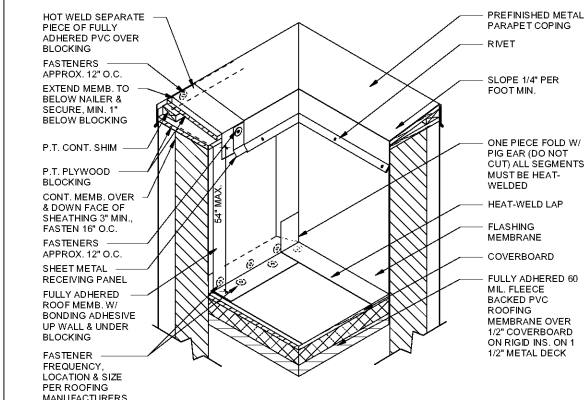
PARAPET FLASHING - ISOMETRIC 3" = 1'-0" 05



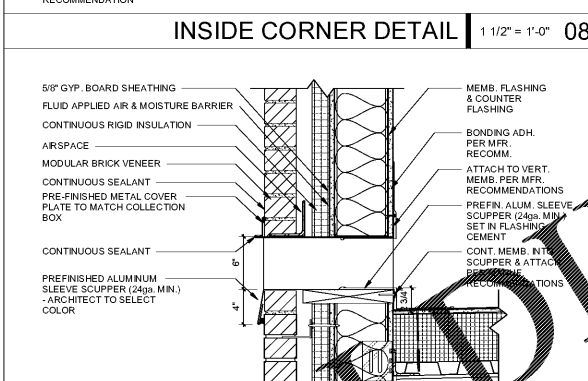
SECTION DETAIL 1 1/2" = 1'-0" 10



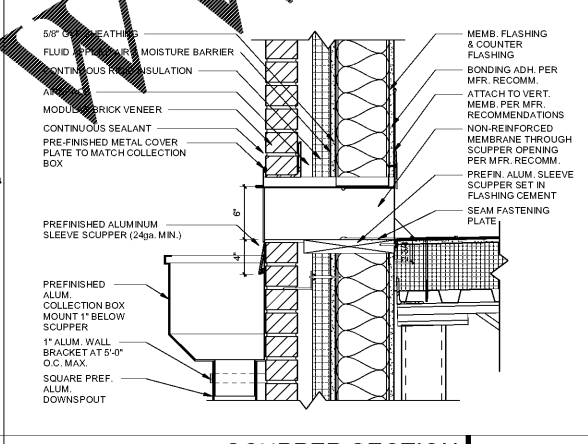
MECH. CURB - ISOMETRIC 3" = 1'-0" 09



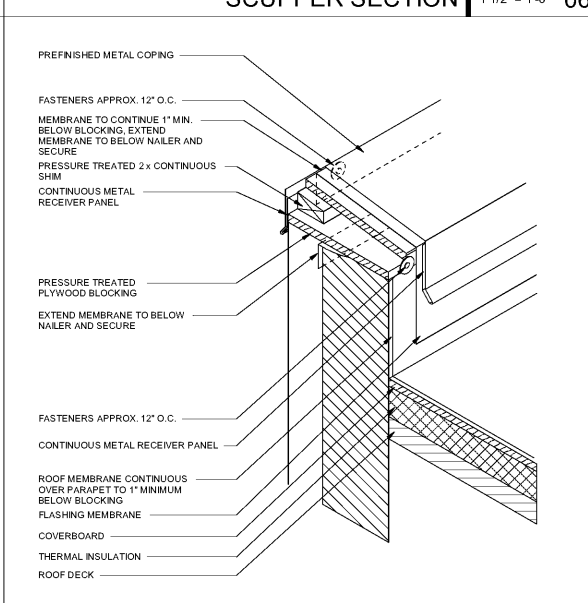
INSIDE CORNER DETAIL 1 1/2" = 1'-0" 08



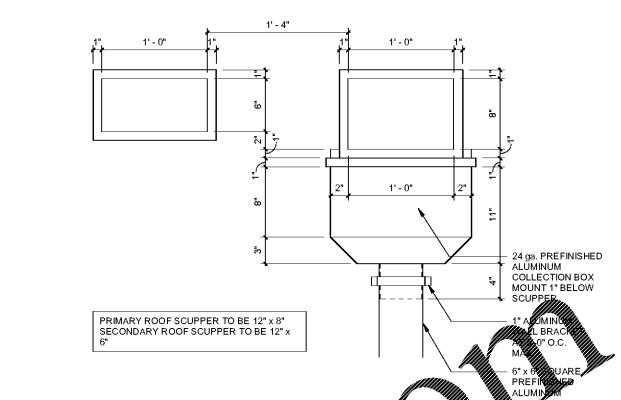
OVERFLOW SCUPPER SECTION 1 1/2" = 1'-0" 07



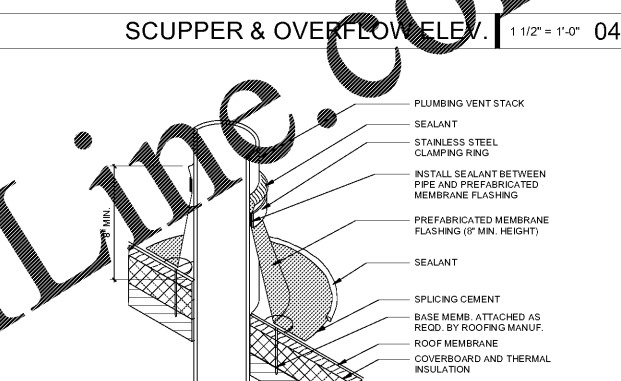
SCUPPER SECTION 1 1/2" = 1'-0" 06



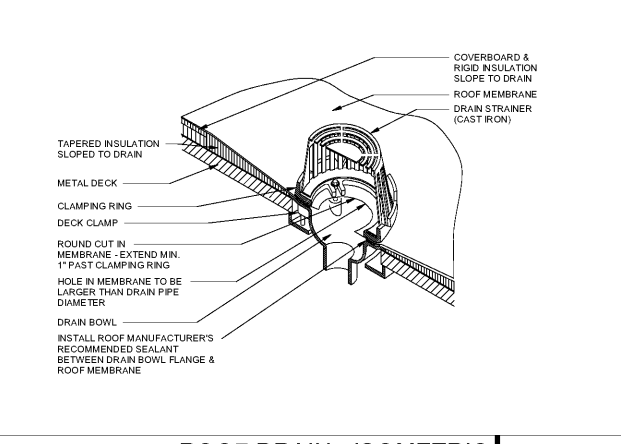
PARAPET FLASHING - ISOMETRIC 3" = 1'-0" 05



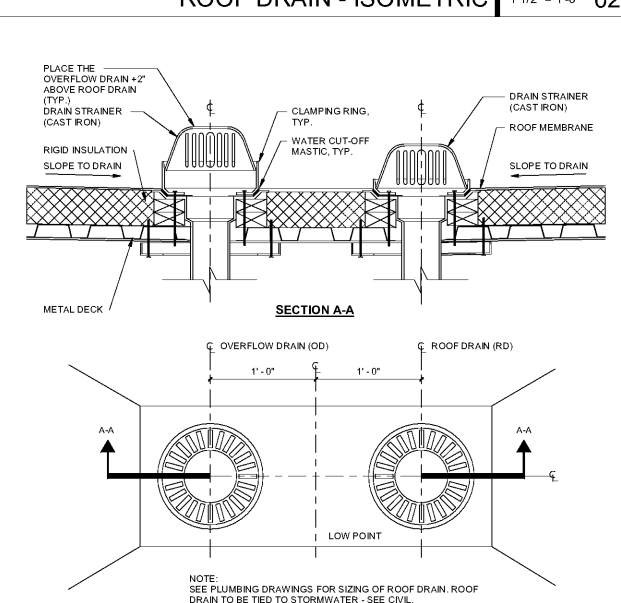
SCUPPER & OVERFLOW ELEV. 1 1/2" = 1'-0" 04



ROOF VENT PIPE - ISOMETRIC 3" = 1'-0" 03



ROOF DRAIN - ISOMETRIC 1 1/2" = 1'-0" 02



ROOF DRAIN 1 1/2" = 1'-0" 01



SCO #16-15889-02A

RICHMOND COMMUNITY COLLEGE

LINDSEY-PETRIS CAFETERIA/DINING ADDITION VOL. 1

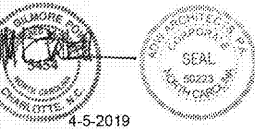
BID DOCUMENTS

ROOF DETAILS

DATE: 04.05.2019
PROJECT NO: 16063

REVISIONS
NO. DATE: DESCRIPTION:

THIS DRAWING IS THE PROPERTY OF ADW ARCHITECTS, P.A. AND SHALL NOT BE REPRODUCED OR COPIED IN WHOLE OR PART. IT SHALL NOT BE USED ON ANY OTHER PROJECT OR GIVEN TO ANY OTHER COMPANY OR AGENCY WITHOUT THE CONSENT OF ADW ARCHITECTS, P.A.



4-5-2019
SHEET NUMBER

A111