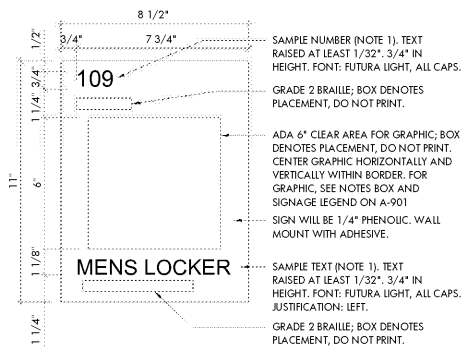
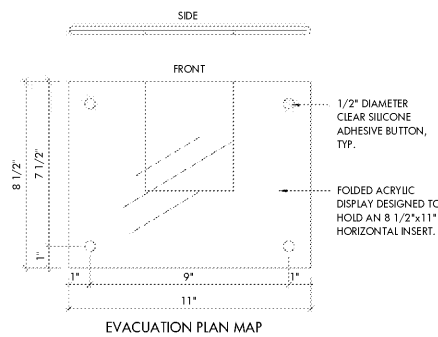


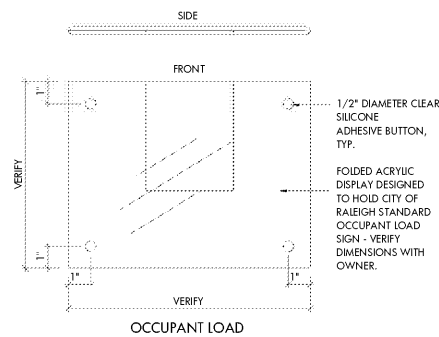
D1 SIGN TYPE A
A-902 3" = 1'-0"



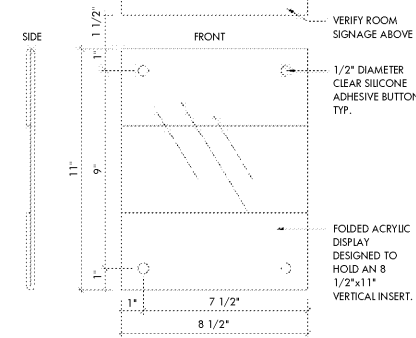
D2 SIGN TYPE B
A-902 3" = 1'-0"



D3 OCCUPANT LOAD & EVACUATION PLAN MAP -
SIGN TYPE C
A-902 3" = 1'-0"



D4 SIGN TYPE D
A-902 3" = 1'-0"



NOTES:

- SEE SIGNAGE LEGEND ON A911 FOR ACTUAL TEXT.
- OWNER TO PROVIDE TEXT.
- FOR OPAQUE SURFACES, ADHESIVE TO BE CLEAR SUCONE. APPLY AS REQUIRED FOR SECURE ANCHORAGE TO INDICATED SUBSTRATE.
- FOR SIGNS DESIGNATED TO BE MOUNTED ON GLASS SURFACES, PROVIDE 1/2" DIAMETER SUCONE ADHESIVE BUTTONS, UNIFORMLY SPACED 1" FROM SIGN CORNER, PROVIDE (4) PER SIGN UNLESS OTHERWISE INDICATED. PROVIDE OPAQUE BLANK PLAQUE OF EQUAL SIZE TO MOUNT ON OPPOSITE SIDE OF GLASS.
- ALL TEXT, GRAPHIC, AND PHENOLIC COLOR TO BE SELECTED BY ARCHITECT FROM MANUFACTURER'S STANDARD RANGE.

GRAPHICS

GRAPHIC G-1
GRAPHIC G-2

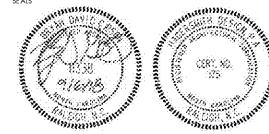
3 3/8"
3 3/8"



ARCHITECTURE
LANDSCAPE ARCHITECTURE
PLANNING
INTERIOR DESIGN

PO BOX 1308
300 SOUTH DAWSON STREET
RALEIGH, NORTH CAROLINA 27602
919.821.5547
www.hagersmith.com

© Copyright 2018

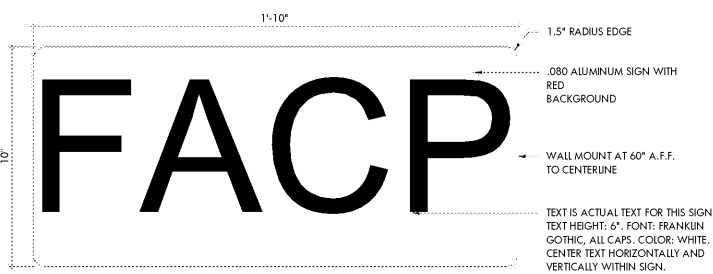


ASSOCIATES /

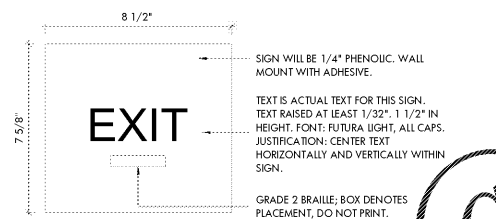
BNK

BASS, NIXON & KENNEDY, INC.
CONSULTING ENGINEERS

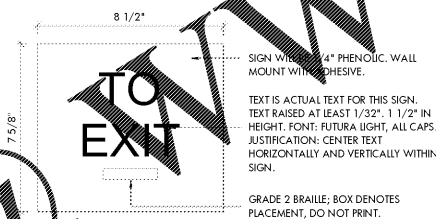
6310 CHAFFI HILL ROAD
RALEIGH, NC 27607
PHONE: 919.851.4422
FAX: 919.851.8968



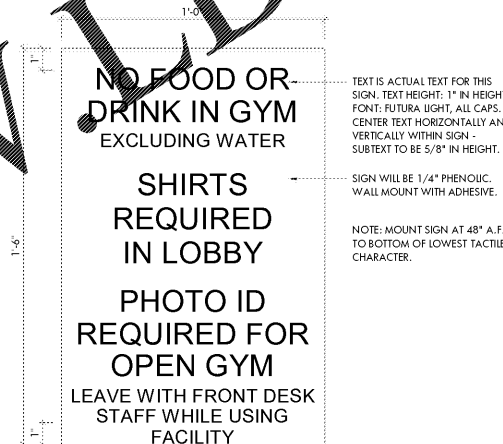
C1 SIGN TYPE - FACCP
A-902 3" = 1'-0"



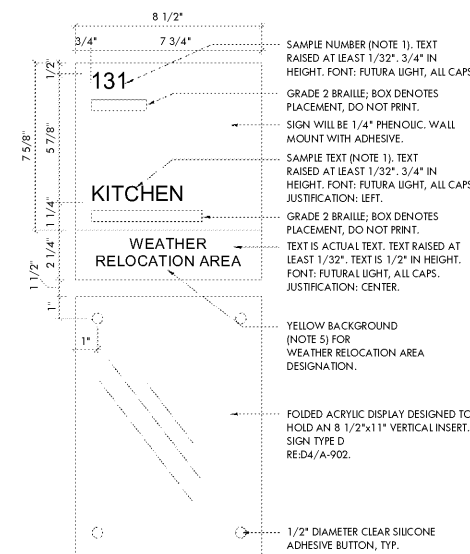
C2 SIGN TYPE - EXIT
A-902 3" = 1'-0"



C3 SIGN TYPE - TO EXIT
A-902 3" = 1'-0"

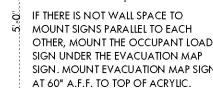


C4 SIGN TYPE - GYM RULES
A-902 3" = 1'-0"

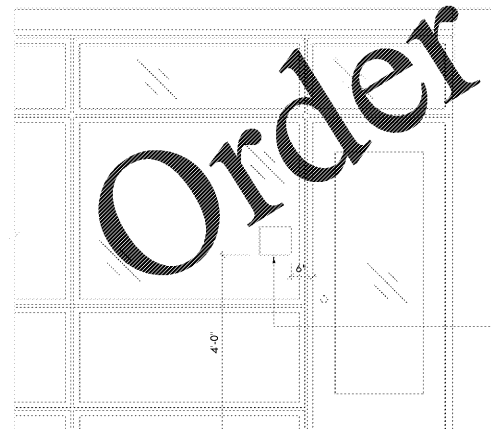


C5 SIGN TYPE E
A-902 3" = 1'-0"

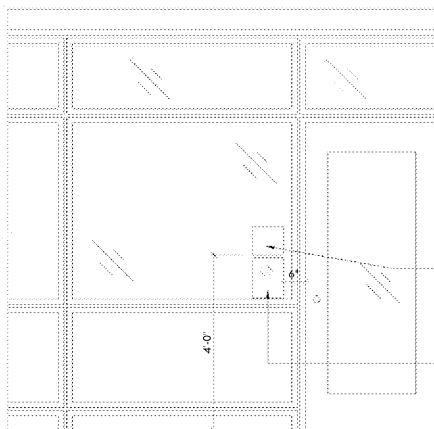
Order Plans @



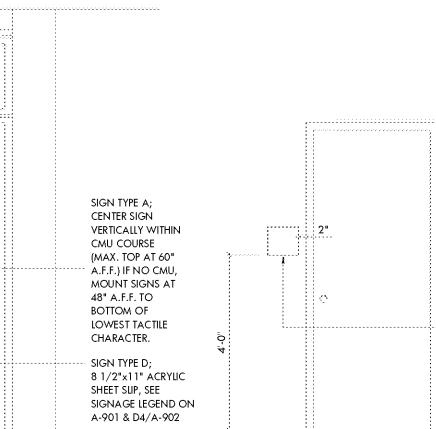
A1 SIGNAGE MOUNTING LOCATIONS
A-902 1/2" = 1'-0"



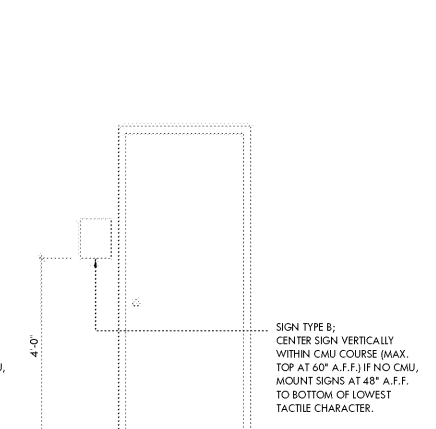
SIGN TYPE A;
CENTER SIGN VERTICALLY WITHIN CMU COURSE (MAX. TOP AT 60" A.F.F.) IF NO CMU, MOUNT SIGNS AT 48" A.F.F. TO BOTTOM OF LOWEST TACTILE CHARACTER.



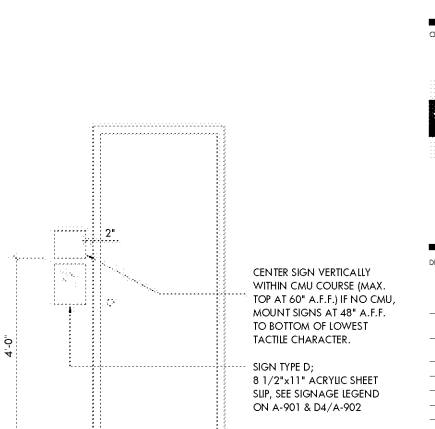
SIGN TYPE D;
8 1/2"x11" ACRYLIC SHEET SUP. SEE SIGNAGE LEGEND ON A-901 & D4/A-902



SIGN TYPE A;
CENTER SIGN VERTICALLY WITHIN CMU COURSE (MAX. TOP AT 60" A.F.F.) IF NO CMU, MOUNT SIGNS AT 48" A.F.F. TO BOTTOM OF LOWEST TACTILE CHARACTER.



SIGN TYPE B;
CENTER SIGN VERTICALLY WITHIN CMU COURSE (MAX. TOP AT 60" A.F.F.) IF NO CMU, MOUNT SIGNS AT 48" A.F.F. TO BOTTOM OF LOWEST TACTILE CHARACTER.



SIGN TYPE D;
8 1/2"x11" ACRYLIC SHEET SUP. SEE SIGNAGE LEGEND ON A-901 & D4/A-902

PROJECT 555-019

BILTMORE HILLS COMMUNITY CENTER RENOVATIONS

2615 FITZGERALD DR
RALEIGH, NC 27610



222 W. HARGETT ST - 6TH FLOOR
RALEIGH, NC

DRAWING TITLE
SIGNAGE DESIGN INTENT

REVISIONS		
NUMBER	DESCRIPTION	DATE

DRAWN BY MPC
CHECKED BY BDG
DATE ISSUED 9/6/18

A-902
OF