

DOOR HARDWARE

MANUFACTURERS SHOWN ARE BASIS OF DESIGN

HARDWARE SET #1				
DOOR MFR TO SUPPLY:				
<ul style="list-style-type: none"> PIVOTS WEATHER STRIPPING ALUMINUM THRESHOLD 				
HARDWARE VENDOR TO SUPPLY:				
QUANTITY	TYPE	MFR/MODEL	FINISH	NOTES
4	DOOR PULLS	ROCKWOOD-RM3302	626	16" CTC
2	OVERHEAD CONCEALED DOOR CLOSER	LCN - 2010 SERIES	AL	
2	ELECTROMAGNETIC LOCK W/ MOTION SENSOR	SCHLAGE M400 SERIES	AL	

HARDWARE SET #1.5				
DOOR MFR TO SUPPLY:				
<ul style="list-style-type: none"> PIVOTS WEATHER STRIPPING ALUMINUM THRESHOLD 				
HARDWARE VENDOR TO SUPPLY:				
QUANTITY	TYPE	MFR/MODEL	FINISH	NOTES
4	DOOR PULLS	ROCKWOOD-RM3302	626	16" CTC
2	OVERHEAD CONCEALED DOOR CLOSER	LCN - 2010 SERIES	AL	

HARDWARE SET #2				
HARDWARE VENDOR TO SUPPLY:				
QUANTITY	TYPE	MFR/MODEL	FINISH	NOTES
(4) PAIR	4.5x4.5 FULL MORTISE HINGE	HAGER- BB1199	US26D	
2	EXPOSED OVERHEAD CLOSER	LCN-1260 SERIES	AL	
1	8" KICKPLATE (INTERIOR)	ROCKWOOD- K1062	US26D	
1	WALL STOP	ROCKWOOD-409	US26D	
1	RIM EXIT DEVICE W/ OUTSIDE LEVER TRIM	VON DUPRIN 9847L-BE-F	US26D	

HARDWARE SET #3				
HARDWARE VENDOR TO SUPPLY:				
QUANTITY	TYPE	MFR/MODEL	FINISH	NOTES
(2) PAIR	4.5x4.5 FULL MORTISE HINGE	HAGER- BB1168	US26D	
1	ENTRANCE FUNCTION LOCKSET	SCHLAGE-ATHENS-ND53PD W/ MEDCO 32 CYLINDER	626	
1	EXPOSED OVERHEAD CLOSER	LCN-1260 SERIES	AL	
1	WALL STOP	ROCKWOOD-409	626	

HARDWARE SET #4				
HARDWARE VENDOR TO SUPPLY:				
QUANTITY	TYPE	MFR/MODEL	FINISH	NOTES
(2) PAIR	4.5x4.5 FULL MORTISE HINGE	HAGER- BB1168	US26D	
1	PASSAGE FUNCTION LOCKSET	SCHLAGE-ATHENS-ND105	626	
1	WALL STOP	ROCKWOOD-409	626	

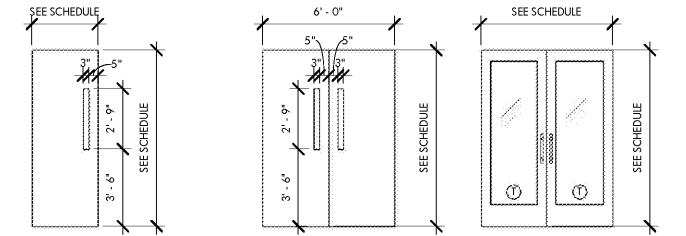
HARDWARE SET #5				
HARDWARE VENDOR TO SUPPLY:				
QUANTITY	TYPE	MFR/MODEL	FINISH	NOTES
(2) PAIR	4.5x4.5 FULL MORTISE HINGE	HAGER- BB1199	US26D	
1	EXPOSED OVERHEAD CLOSER	LCN-1260 SERIES	AL	
1	8" KICKPLATE (INTERIOR)	ROCKWOOD- K1062	US26D	
1	WALL STOP	ROCKWOOD-409	US26D	
1	RIM EXIT DEVICE W/ OUTSIDE LEVER TRIM	VON DUPRIN 98NL	US26D	

HARDWARE SET #6				
HARDWARE VENDOR TO SUPPLY:				
QUANTITY	TYPE	MFR/MODEL	FINISH	NOTES
1	STOREROOM FUNCTION LOCKSET	SCHLAGE-ATHENS-NDB0PD W/ MEDCO 32 CYLINDER	626	

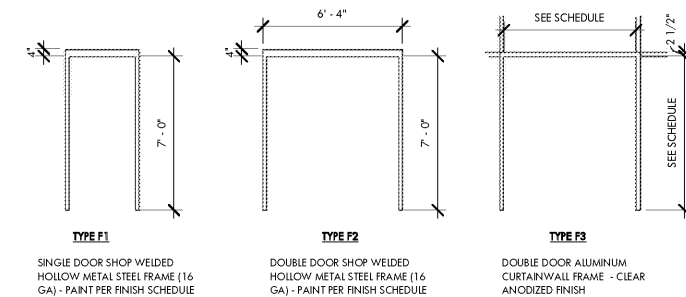
HARDWARE SET #7				
HARDWARE VENDOR TO SUPPLY:				
QUANTITY	TYPE	MFR/MODEL	FINISH	NOTES
1	EXPOSED OVERHEAD CLOSER	LCN-1260 SERIES	AL	

MARK	ROOM NAME	DOOR		DOOR TYPE	FRAME TYPE	HARDWARE SET	FIRE RATING	REMARKS
		WIDTH	HEIGHT					
099	VESTIBULE	6'-6"	7'-0 3/4"	D3	F3	1		
099A	LOBBY	6'-0"	7'-0"	D3	F3	1.5		
102	OFFICE	3'-0"	7'-0"	EXIST WD	EXIST WD	EXIST TO REMAIN		
103	OFFICE	3'-0"	7'-0"	EXIST WD	EXIST HM	EXIST TO REMAIN		
104	WOMEN	3'-0"	7'-0"	EXIST HM	EXIST HM	EXIST TO REMAIN		
105	MEN	3'-0"	7'-0"	EXIST HM	EXIST HM	EXIST TO REMAIN		
106	CORR.	3'-0"	7'-0"	D1	F1	4		
107	CORR.	3'-0"	7'-0"	EXIST WD	EXIST WD	EXIST TO REMAIN		
108	STORAGE	3'-0"	7'-0"	EXIST HM	EXIST HM	6		
109	STORAGE	3'-0"	7'-0"	EXIST HM	EXIST HM	EXIST TO REMAIN		
110	STORAGE	3'-0"	7'-0"	EXIST HM	EXIST HM	6		
111	LARGE CLUB ROOM	3'-0"	7'-0"	D1	F1	5		
111A	LARGE CLUB ROOM	3'-0"	7'-0"	EXIST HM	EXIST HM	EXIST TO REMAIN		
112	MECH.	5'-0"	7'-0"	EXIST HM	EXIST HM	EXIST TO REMAIN		
113	STORAGE	6'-0"	7'-0"	EXIST HM	EXIST HM	EXIST TO REMAIN	90- MIN	
114	GYMNASIUM	6'-0"	7'-0"	D2	F2	2	90- MIN	
114A	GYMNASIUM	3'-0"	7'-0"	D1	F1	3	90- MIN	
114B	GYMNASIUM	5'-0"	7'-0"	EXIST HM	EXIST HM	EXIST TO REMAIN	90- MIN	
114C	GYMNASIUM	6'-0"	7'-0"	EXIST HM	EXIST HM	EXISTING PANIC HARDWARE TO REMAIN		PROVIDE NEW WEATHERSTRIPPING & DOOR SWEEP
114D	GYMNASIUM	6'-0"	7'-0"	EXIST HM	EXIST HM	EXISTING PANIC HARDWARE TO REMAIN		PROVIDE NEW WEATHERSTRIPPING & DOOR SWEEP
115	CORR.	3'-0"	7'-0"	D1	F1			
116	CORR.	3'-0"	7'-0"	EXIST HM	EXIST HM	EXIST TO REMAIN		
117	CORR.	3'-0"	7'-0"	EXIST HM	EXIST HM	6		
118	MECH/ELECTRICAL	5'-0"	7'-0"	EXIST HM	EXIST HM	EXIST TO REMAIN		
119	NEW WOMEN'S LOCKER	3'-0"	7'-0"	EXIST HM	EXIST HM	EXIST TO REMAIN		
120	NEW MENS LOCKER	3'-0"	7'-0"	EXIST HM	EXIST HM	7		
121	CORR.	3'-0"	7'-0"	EXIST HM	EXIST HM	EXIST TO REMAIN		
122	WEIGHT ROOM	3'-0"	7'-0"	EXIST WD	EXIST WD	EXIST TO REMAIN		
123	NEW MENS LOCKER	2'-0"	5'-0"					

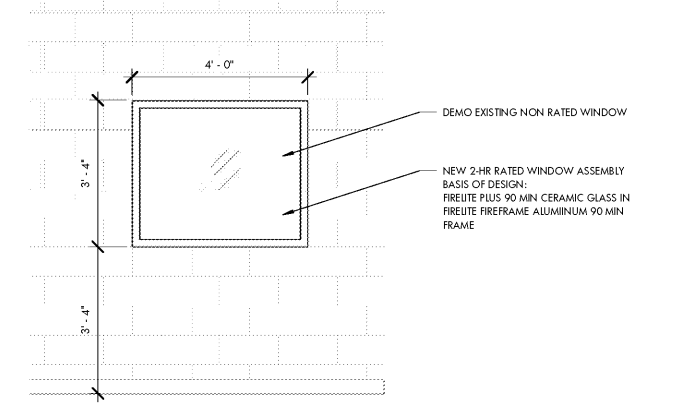
DOOR GENERAL NOTES:
 1.) ALL DOORS & FRAMES LABELED AS EXISTING MUST BE TO BE MAINTAINED PER FINISH SCHEDULE
 2.) ALL DOORS & FRAMES LABELED AS EXISTING WILL BE TO BE DEMOLISHED AND REPLACED PER THE FINISH SCHEDULE
 3.) GC TO CONFIRM ALL WALL TYPES, OPENING DIMENSIONS
 4.) ALL CYLINDERS TO BE CITY OF RALEIGH STANDARD METAL BRAND
 5.) COORDINATE ALL KEYING WITH OWNER



2 DOOR TYPES
 1/4" = 1'-0"



1 FRAME TYPES
 1/4" = 1'-0"



ARCHITECTURE
 LANDSCAPE ARCHITECTURE
 PLANNING
 INTERIOR DESIGN

PO BOX 1308
 300 SOUTH DAWSON STREET
 RALEIGH, NORTH CAROLINA 27602
 919.821.5547
 www.hagersmith.com



BNK
 BASS, NIXON & KENNEDY, INC.
 CONSULTING ENGINEERS

6310 CHAFFI HILL ROAD
 RALEIGH, NC 27607
 PHONE: 919.851.4422
 FAX: 919.851.8968

PROJECT: 555-019

BILTMORE HILLS COMMUNITY CENTER RENOVATIONS

2615 FITZGERALD DR
 RALEIGH, NC 27610



222 W. HARGETT ST - 6TH FLOOR
 RALEIGH, NC

DRAWING TITLE: **DOOR & WINDOW SCHEDULES**

REVISIONS		
NUMBER	DESCRIPTION	DATE

DRAWN BY: Author
 CHECKED BY: Checker
 DATE ISSUED: 10/15/18

A-601
OF

Order Plans @