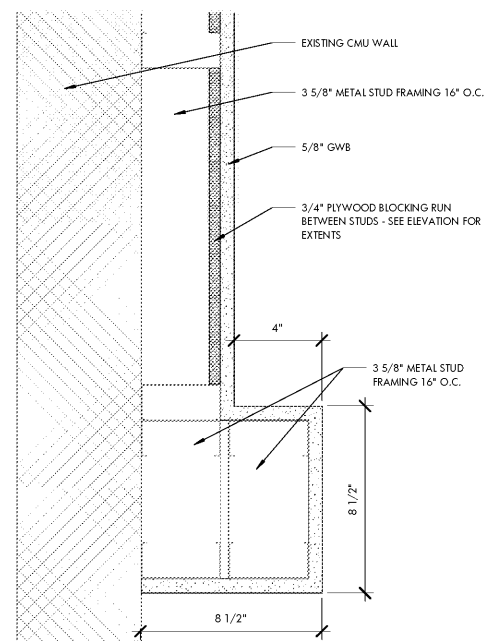
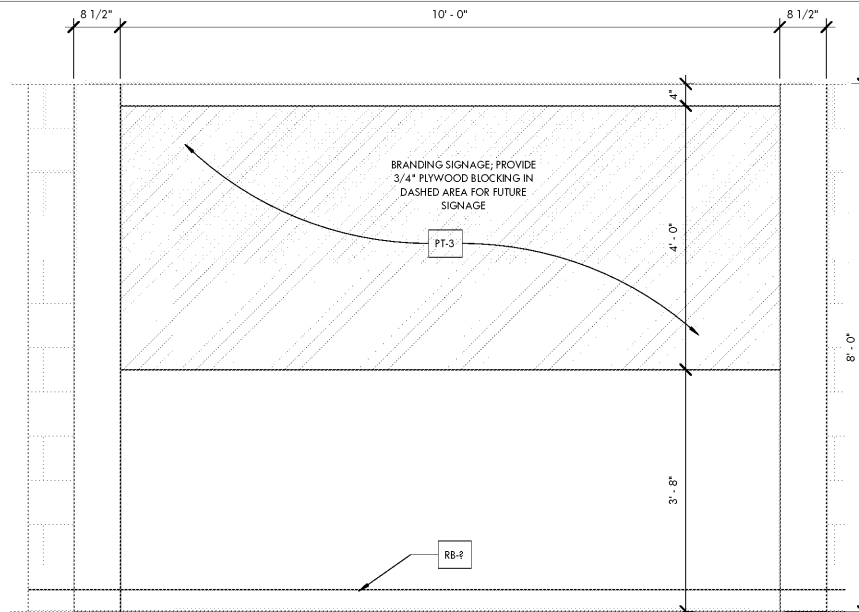


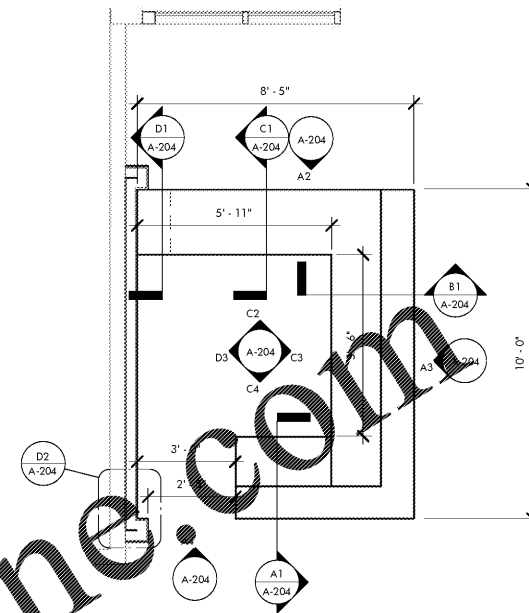
D1  
A-204  
3/4" = 1'-0"



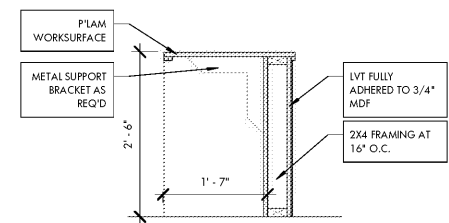
D2  
A-204  
3" = 1'-0"



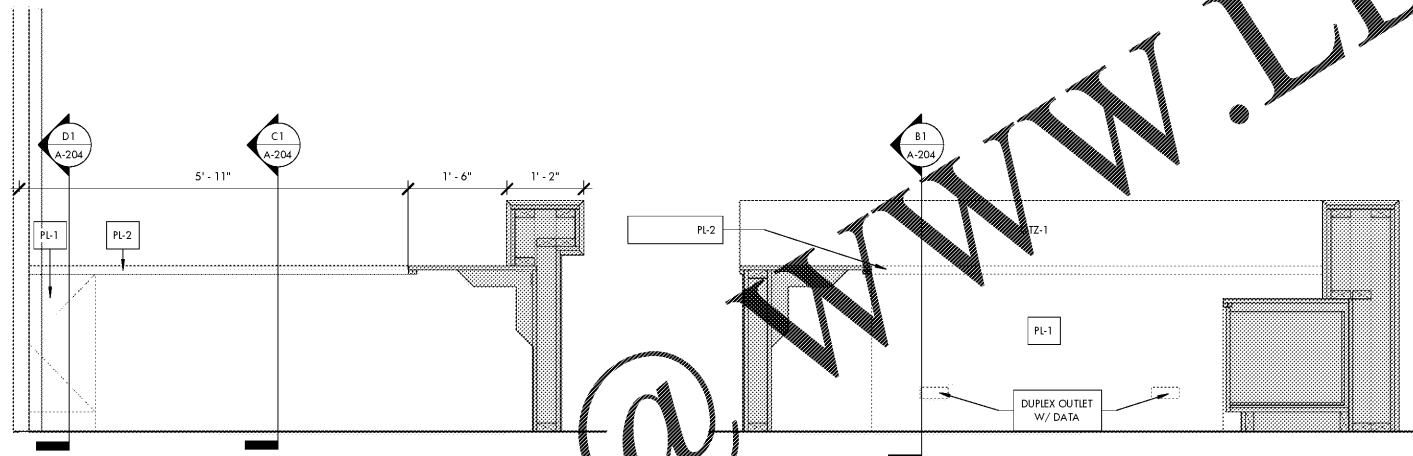
D3  
A-204  
3/4" = 1'-0"



D4  
A-204  
3/8" = 1'-0"

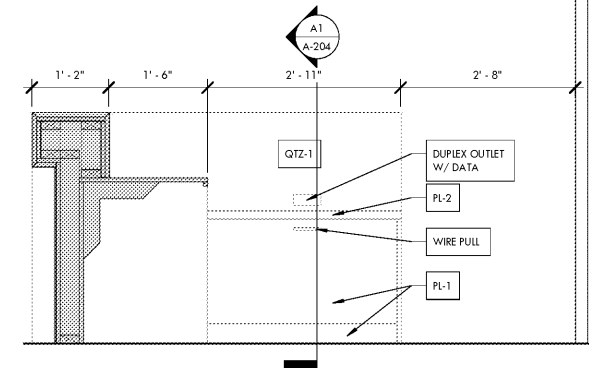


C1  
A-204  
3/4" = 1'-0"

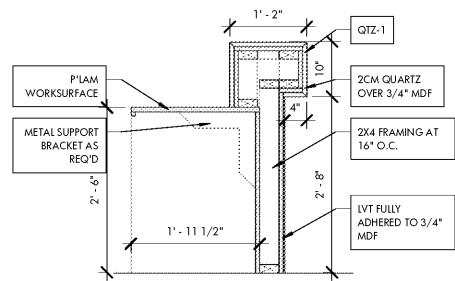


C2  
A-204  
3/4" = 1'-0"

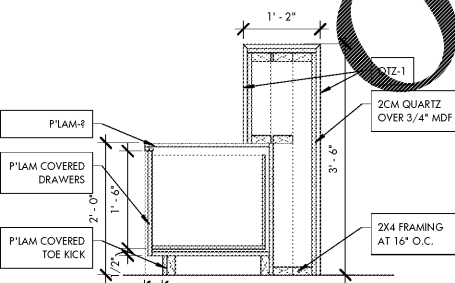
C3  
A-204  
3/4" = 1'-0"



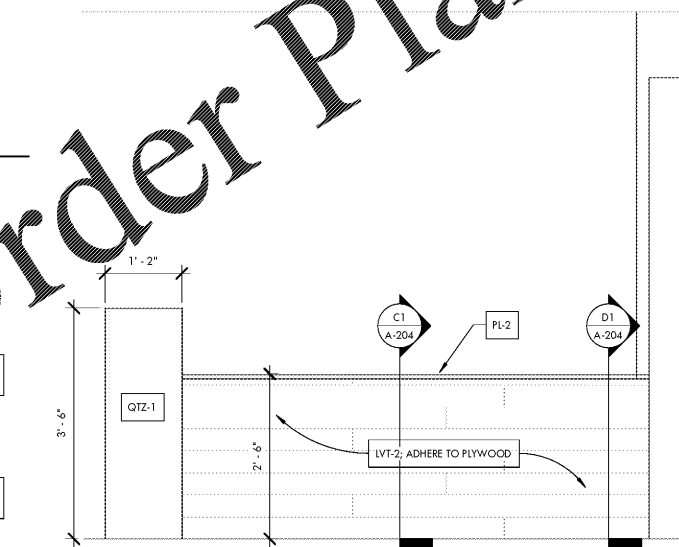
C4  
A-204  
3/4" = 1'-0"



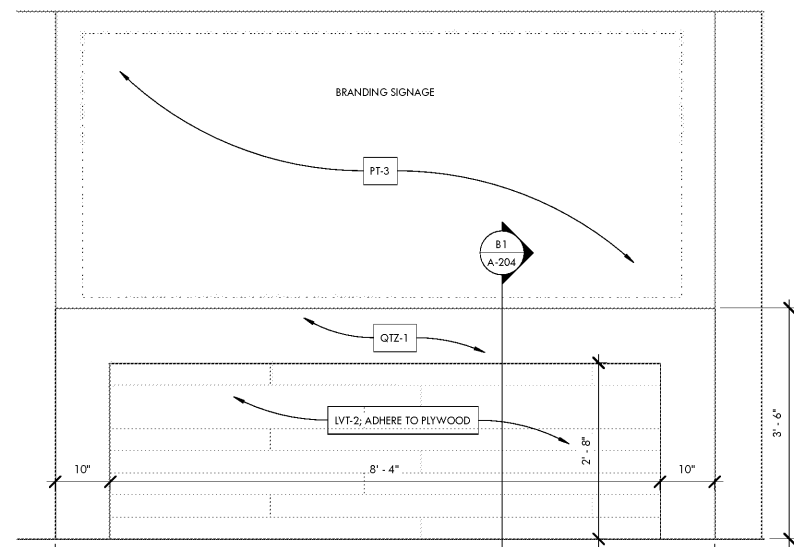
B1  
A-204  
3/4" = 1'-0"



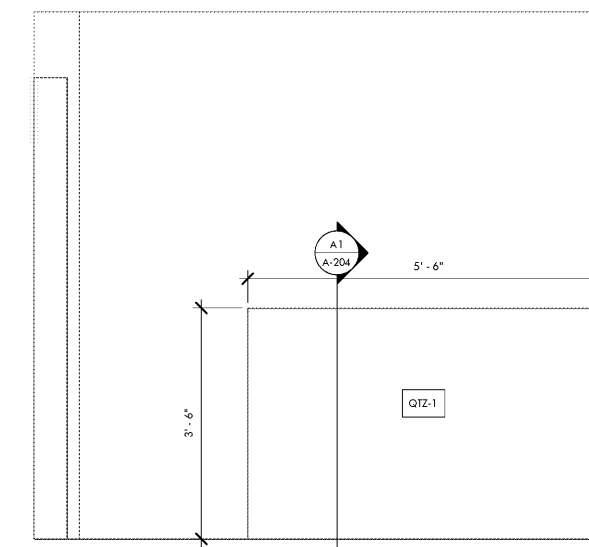
A1  
A-204  
3/4" = 1'-0"



A2  
A-204  
3/4" = 1'-0"



A3  
A-204  
3/4" = 1'-0"



A4  
A-204  
3/4" = 1'-0"

Order Plans @ WWW.LDILine.com

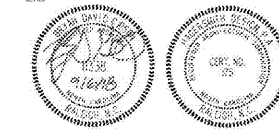


ARCHITECTURE  
LANDSCAPE ARCHITECTURE  
PLANNING  
INTERIOR DESIGN

PO BOX 1308  
300 SOUTH DAWSON STREET  
RALEIGH, NORTH CAROLINA 27602  
919.821.5547  
www.hagersmith.com

© Copyright 2018

SEALS



ASSOCIATES /



BASS, NIXON & KENNEDY, INC.  
CONSULTING ENGINEERS

6310 CHAFFI HILL ROAD  
RALEIGH, NC 27607  
PHONE: 919.851.4422  
FAX: 919.851.8968

PROJECT 555-019

**BILTMORE HILLS  
COMMUNITY  
CENTER  
RENOVATIONS**

2615 FITZGERALD DR  
RALEIGH, NC 27610

CLIENT



222 W. HARGETT ST - 6TH FLOOR  
RALEIGH, NC

DRAWING TITLE  
**RECEPTION ELEVATIONS & DETAILS**

REVISIONS		
NUMBER	DESCRIPTION	DATE

DRAWN BY Author  
CHECKED BY Checker  
DATE ISSUED 9/6/18

**A-204**

OF