

EXPIRATION DATE:
COPYRIGHT NOTICE
 THE DRAWINGS ARE THE PROPERTY OF RIVER STREET ARCHITECTURE LLC. ANY USE, REUSE, REPRODUCTION, DISPLAY OR SALE OF THESE DRAWINGS WITHOUT THE EXPRESS WRITTEN CONSENT OF THE ARCHITECT IS STRICTLY PROHIBITED.

river street
 ARCHITECTURE
 123 E 7th street, suite 400 chattanooga, tennessee 37402
 P-423 634 0806 www.riverstreetarchitecture.com

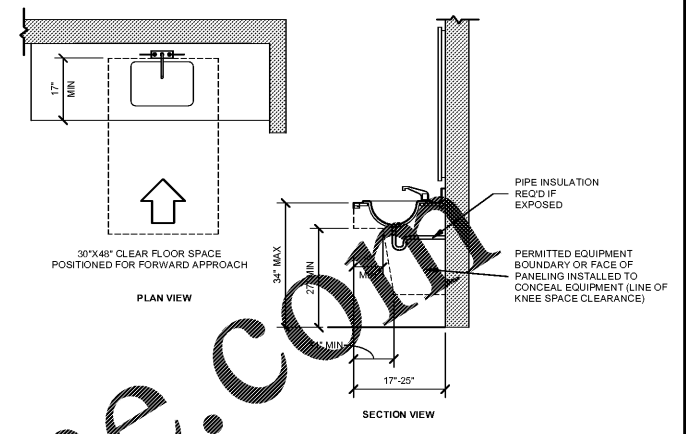
PRIMEIMAGING
 RENOVATION + PETICT PROJECT
 CHATTANOOGA OUTPATIENT CENTER
 1301 MCCALLIE AVE., CHATTANOOGA TN 37404

Revision Schedule		
Rev. #	Rev. Date	Revision Description

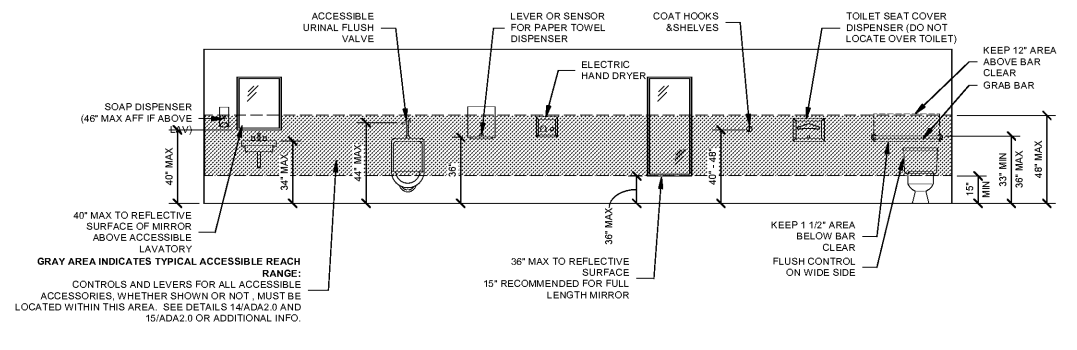
Release Date: 05.03.2019
 Project No.: 19010

ACCESSIBLE PLUMBING DETAILS

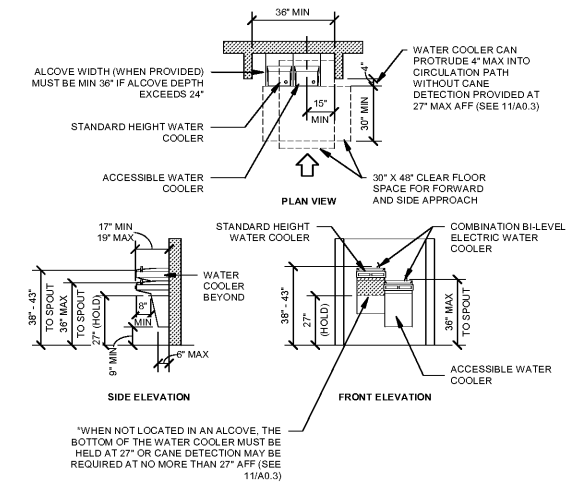
ADA3.0



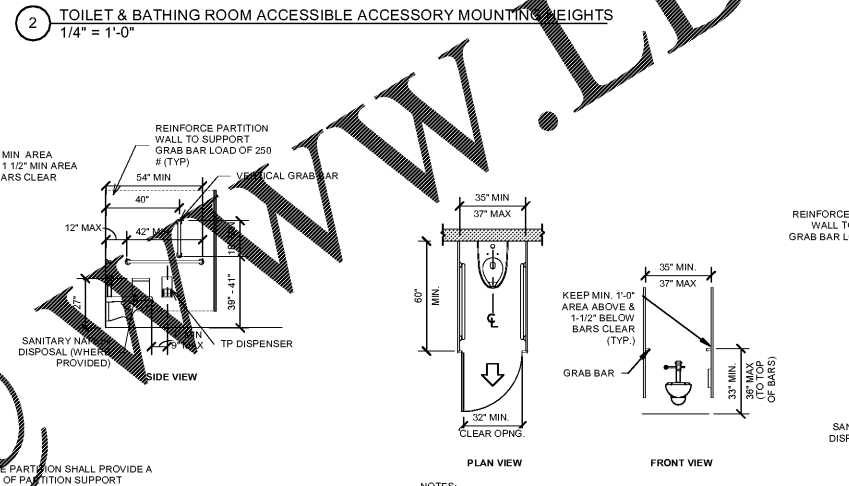
- NOTES:
1. CLEAR FLOOR SPACE AT ACCESSORIES SHALL BE 30" X 48" MIN.
 2. UNLESS NOTED OTHERWISE, THE CLEAR FLOOR SPACE MAY BE POSITIONED EITHER FORWARD OR PARALLEL APPROACH TO AN ELEMENT.
 3. OPERABLE PARTS SHALL BE OPERABLE WITH ONE HAND AND SHALL NOT REQUIRE TIGHT GRASPING, PINCHING, OR TWISTING OF THE WRIST. THE FORCE REQUIRED TO ACTIVATE OPERABLE PARTS SHALL BE 5 POUNDS MAX.
 4. REFER TO 14ADA2.0 AND 15ADA2.0 FOR DETAILED INFORMATION REGARDING FORWARD AND SIDE REACH REQUIREMENTS.
 5. TOILET ROOM ACCESSORIES MUST BE LOCATED OR SELECTED SO THEY ARE NOT PROTRUDING OBJECTS INTO THE CIRCULATION SPACE. SEE DETAILS 11ADA2.0 AND 12ADA2.0 FOR ADDITIONAL INFORMATION.



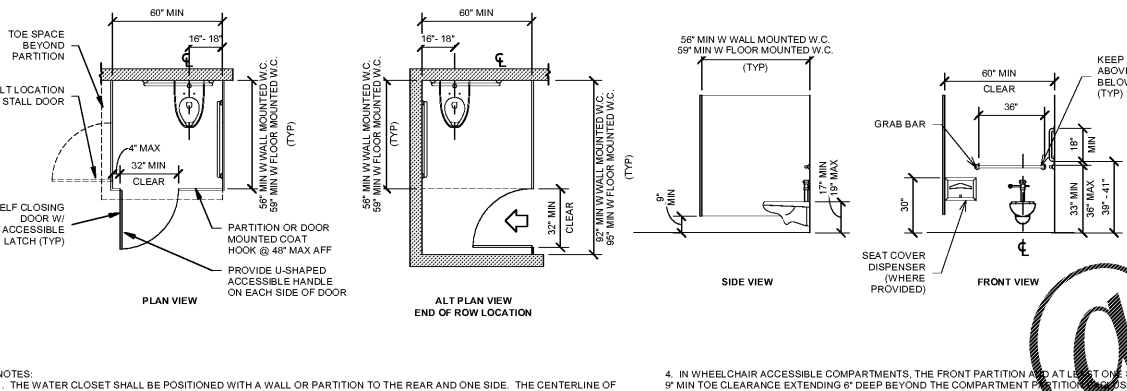
- NOTES:
1. THE CLEAR FLOOR SPACE AT ACCESSORIES SHALL BE 30" X 48" MIN.
 2. UNLESS NOTED OTHERWISE, THE CLEAR FLOOR SPACE MAY BE POSITIONED EITHER FORWARD OR PARALLEL APPROACH TO AN ELEMENT.
 3. OPERABLE PARTS SHALL BE OPERABLE WITH ONE HAND AND SHALL NOT REQUIRE TIGHT GRASPING, PINCHING, OR TWISTING OF THE WRIST. THE FORCE REQUIRED TO ACTIVATE OPERABLE PARTS SHALL BE 5 POUNDS MAX.
 4. REFER TO 14ADA2.0 AND 15ADA2.0 FOR DETAILED INFORMATION REGARDING FORWARD AND SIDE REACH REQUIREMENTS.
 5. TOILET ROOM ACCESSORIES MUST BE LOCATED OR SELECTED SO THEY ARE NOT PROTRUDING OBJECTS INTO THE CIRCULATION SPACE. SEE DETAILS 11ADA2.0 AND 12ADA2.0 FOR ADDITIONAL INFORMATION.



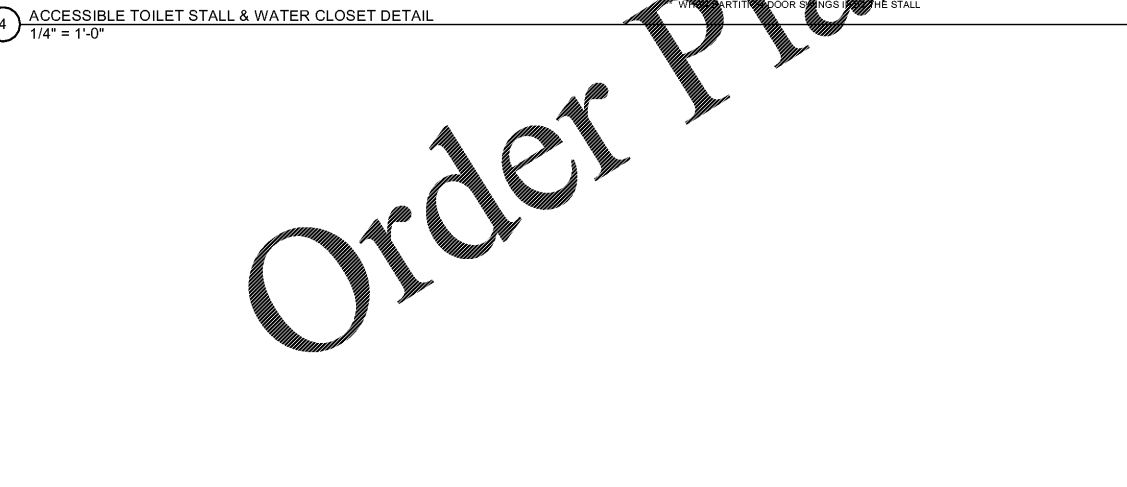
- NOTES:
1. THE CLEAR FLOOR SPACE REQUIRED FOR FORWARD APPROACH SHALL BE CENTERED ON THE UNIT AND SHALL INCLUDE KNEE AND TOE CLEARANCE (SEE 9A0.3 AND 10A0.3).
 2. PARTS SHALL BE OPERABLE WITH ONE HAND AND SHALL NOT REQUIRE TIGHT GRASPING, PINCHING, OR TWISTING OF THE WRIST. THE FORCE REQUIRED TO ACTIVATE OPERABLE PARTS SHALL BE 5 POUNDS MAX.
 3. THE SPOUT SHALL BE LOCATED 15" MAX FROM THE VERTICAL SUPPORT AND 5" MAX FROM THE FRONT EDGE OF THE UNIT, INCLUDING BUMPERS.
 4. THE SPOUT SHALL PROVIDE A FLOW OF WATER 4" HIGH MIN AND SHALL BE LOCATED 5" MAX FROM THE FRONT OF THE UNIT. WHERE SPOUTS ARE LOCATED LESS THAN 3" FROM THE FRONT OF THE UNIT, THE ANGLE OF THE WATER STREAM SHALL BE 30" MAXIMUM. WHERE SPOUTS ARE LOCATED BETWEEN 3" AND 5" MAX FROM THE FRONT OF THE UNIT, THE ANGLE OF THE WATER STREAM SHALL BE 15" MIN.



- NOTES:
1. THE CENTERLINE OF THE WATER CLOSET SHALL BE 17" TO 19" FROM THE SIDE WALL OR PARTITIONS IN AMBULATORY ACCESSIBLE TOILET STALLS.
 2. AMBULATORY ACCESSIBLE COMPARTMENTS SHALL HAVE A DEPTH OF 60" MIN. AND A WIDTH OF 35" TO 37".
 3. THE DOOR SHALL BE SELF-CLOSING. AN ACCESSIBLE DOOR PULL SHALL BE PLACED ON BOTH SIDES OF THE DOOR NEAR THE LATCH. TOILET COMPARTMENT DOORS SHALL NOT SWING INTO THE MINIMUM REQUIRED COMPARTMENT AREA.
 4. A 42" SIDE WALL GRAB BAR SHALL BE PROVIDED ON BOTH SIDES OF THE COMPARTMENT.
 5. COAT HOOKS PROVIDED WITHIN THE TOILET COMPARTMENT SHALL BE 40" MAX ABOVE THE FLOOR OR GROUND. WHERE PROVIDED, A FOLD-DOWN SHELF SHALL BE 40" MINIMUM AND 48" MAXIMUM ABOVE THE FLOOR.
 - * DOOR MANEUVERING CLEARANCES SHALL BE PROVIDED AT COMPARTMENT DOORS. IF THE APPROACH IS TO THE LATCH SIDE OF THE DOOR, CLEARANCE BETWEEN THE DOOR SIDE OF THE COMPARTMENT AND ANY OBSTRUCTION SHALL BE 42" MIN.



- NOTES:
1. THE WATER CLOSET SHALL BE POSITIONED WITH A WALL OR PARTITION TO THE REAR AND ONE SIDE. THE CENTERLINE OF THE WATER CLOSET SHALL BE 16"-18" FROM THE SIDE WALL OR PARTITION.
 2. WHEELCHAIR ACCESSIBLE COMPARTMENTS SHALL BE 60" MIN WIDE PERPENDICULAR TO THE SIDE MOUNTED WATER CLOSETS MEASURED PERPENDICULAR TO REAR WALL.
 3. DOORS SHALL BE LOCATED IN THE FRONT PARTITION OR IN THE SIDE WALL OR PARTITION FARTHEST FROM THE SIDE WALL OR PARTITION FARTHEST FROM THE WATER CLOSET. WHERE LOCATED IN THE SIDE WALL OR PARTITION, THE DOOR OPENING SHALL BE 4" MAX FROM THE FRONT PARTITION. THE DOOR SHALL BE SELF-CLOSING. AN ACCESSIBLE DOOR PULL SHALL BE PLACED ON BOTH SIDES OF THE DOOR NEAR THE LATCH. COMPARTMENT DOORS SHALL NOT SWING INTO THE MINIMUM REQUIRED COMPARTMENT AREA.
 4. IN WHEELCHAIR ACCESSIBLE COMPARTMENTS, THE FRONT PARTITION AND AT LEAST ONE SIDE PARTITION SHALL PROVIDE A 19" MIN TOE CLEARANCE EXTENDING 6" DEEP BEYOND THE COMPARTMENT PARTITION AND BEYOND THE PARTITION SUPPORT MEMBERS. TOE CLEARANCE AT THE FRONT OF THE PARTITION IS NOT REQUIRED IN A COMPARTMENT GREATER THAN 60" DEEP WITH A WALL-HUNG WATER CLOSET OR 65" DEEP WITH A FLOOR MOUNTED WATER CLOSET. TOE CLEARANCE AT THE SIDE PARTITION IS NOT REQUIRED IN A COMPARTMENT GREATER THAN 66" WIDE.
 5. A SIDE WALL GRAB BAR SHALL BE PROVIDED IN THE CLOSEST TO WATER CLOSET AND A REAR-WALL GRAB BAR SHALL BE PROVIDED.
 6. COAT HOOKS PROVIDED WITHIN THE COMPARTMENTS SHALL BE 48" MAX ABOVE THE FLOOR. WHERE PROVIDED, A FOLD-DOWN SHELF SHALL BE 40" MIN AND 48" MAX ABOVE THE FINISH FLOOR.
 - * DOOR MANEUVERING CLEARANCES SHALL BE PROVIDED AT COMPARTMENT DOORS. IF THE APPROACH IS TO THE LATCH SIDE OF THE DOOR, CLEARANCE BETWEEN THE DOOR SIDE OF THE COMPARTMENT AND ANY OBSTRUCTION SHALL BE 42" MIN.



- NOTES:
1. THE WATER CLOSET SHALL BE POSITIONED WITH A WALL OR PARTITION TO THE REAR AND ONE SIDE. THE CENTERLINE OF THE WATER CLOSET SHALL BE 16"-18" FROM THE SIDE WALL OR PARTITION.
 2. WHEELCHAIR ACCESSIBLE COMPARTMENTS SHALL BE 60" MIN WIDE PERPENDICULAR TO THE SIDE MOUNTED WATER CLOSETS MEASURED PERPENDICULAR TO REAR WALL.
 3. DOORS SHALL BE LOCATED IN THE FRONT PARTITION OR IN THE SIDE WALL OR PARTITION FARTHEST FROM THE SIDE WALL OR PARTITION FARTHEST FROM THE WATER CLOSET. WHERE LOCATED IN THE SIDE WALL OR PARTITION, THE DOOR OPENING SHALL BE 4" MAX FROM THE FRONT PARTITION. THE DOOR SHALL BE SELF-CLOSING. AN ACCESSIBLE DOOR PULL SHALL BE PLACED ON BOTH SIDES OF THE DOOR NEAR THE LATCH. COMPARTMENT DOORS SHALL NOT SWING INTO THE MINIMUM REQUIRED COMPARTMENT AREA.
 4. IN WHEELCHAIR ACCESSIBLE COMPARTMENTS, THE FRONT PARTITION AND AT LEAST ONE SIDE PARTITION SHALL PROVIDE A 19" MIN TOE CLEARANCE EXTENDING 6" DEEP BEYOND THE COMPARTMENT PARTITION AND BEYOND THE PARTITION SUPPORT MEMBERS. TOE CLEARANCE AT THE FRONT OF THE PARTITION IS NOT REQUIRED IN A COMPARTMENT GREATER THAN 60" DEEP WITH A WALL-HUNG WATER CLOSET OR 65" DEEP WITH A FLOOR MOUNTED WATER CLOSET. TOE CLEARANCE AT THE SIDE PARTITION IS NOT REQUIRED IN A COMPARTMENT GREATER THAN 66" WIDE.
 5. A SIDE WALL GRAB BAR SHALL BE PROVIDED IN THE CLOSEST TO WATER CLOSET AND A REAR-WALL GRAB BAR SHALL BE PROVIDED.
 6. COAT HOOKS PROVIDED WITHIN THE COMPARTMENTS SHALL BE 48" MAX ABOVE THE FLOOR. WHERE PROVIDED, A FOLD-DOWN SHELF SHALL BE 40" MIN AND 48" MAX ABOVE THE FINISH FLOOR.
 - * DOOR MANEUVERING CLEARANCES SHALL BE PROVIDED AT COMPARTMENT DOORS. IF THE APPROACH IS TO THE LATCH SIDE OF THE DOOR, CLEARANCE BETWEEN THE DOOR SIDE OF THE COMPARTMENT AND ANY OBSTRUCTION SHALL BE 42" MIN.



- NOTES:
1. THE WATER CLOSET SHALL BE POSITIONED WITH A WALL OR PARTITION TO THE REAR AND ONE SIDE. THE CENTERLINE OF THE WATER CLOSET SHALL BE 16"-18" FROM THE SIDE WALL OR PARTITION.
 2. WHEELCHAIR ACCESSIBLE COMPARTMENTS SHALL BE 60" MIN WIDE PERPENDICULAR TO THE SIDE MOUNTED WATER CLOSETS MEASURED PERPENDICULAR TO REAR WALL.
 3. DOORS SHALL BE LOCATED IN THE FRONT PARTITION OR IN THE SIDE WALL OR PARTITION FARTHEST FROM THE SIDE WALL OR PARTITION FARTHEST FROM THE WATER CLOSET. WHERE LOCATED IN THE SIDE WALL OR PARTITION, THE DOOR OPENING SHALL BE 4" MAX FROM THE FRONT PARTITION. THE DOOR SHALL BE SELF-CLOSING. AN ACCESSIBLE DOOR PULL SHALL BE PLACED ON BOTH SIDES OF THE DOOR NEAR THE LATCH. COMPARTMENT DOORS SHALL NOT SWING INTO THE MINIMUM REQUIRED COMPARTMENT AREA.
 4. IN WHEELCHAIR ACCESSIBLE COMPARTMENTS, THE FRONT PARTITION AND AT LEAST ONE SIDE PARTITION SHALL PROVIDE A 19" MIN TOE CLEARANCE EXTENDING 6" DEEP BEYOND THE COMPARTMENT PARTITION AND BEYOND THE PARTITION SUPPORT MEMBERS. TOE CLEARANCE AT THE FRONT OF THE PARTITION IS NOT REQUIRED IN A COMPARTMENT GREATER THAN 60" DEEP WITH A WALL-HUNG WATER CLOSET OR 65" DEEP WITH A FLOOR MOUNTED WATER CLOSET. TOE CLEARANCE AT THE SIDE PARTITION IS NOT REQUIRED IN A COMPARTMENT GREATER THAN 66" WIDE.
 5. A SIDE WALL GRAB BAR SHALL BE PROVIDED IN THE CLOSEST TO WATER CLOSET AND A REAR-WALL GRAB BAR SHALL BE PROVIDED.
 6. COAT HOOKS PROVIDED WITHIN THE COMPARTMENTS SHALL BE 48" MAX ABOVE THE FLOOR. WHERE PROVIDED, A FOLD-DOWN SHELF SHALL BE 40" MIN AND 48" MAX ABOVE THE FINISH FLOOR.
 - * DOOR MANEUVERING CLEARANCES SHALL BE PROVIDED AT COMPARTMENT DOORS. IF THE APPROACH IS TO THE LATCH SIDE OF THE DOOR, CLEARANCE BETWEEN THE DOOR SIDE OF THE COMPARTMENT AND ANY OBSTRUCTION SHALL BE 42" MIN.

Order Plans @

WWW.LDILINE.COM