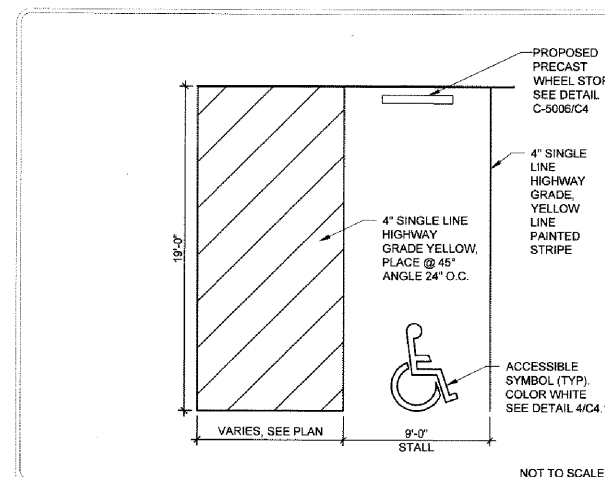


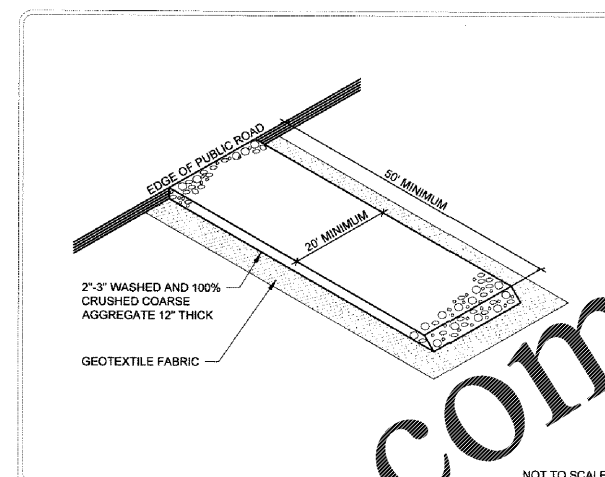
**BIOROLL DETAIL  
(PERIMETER PROTECTION)**

PLATE NO.  
C-1006



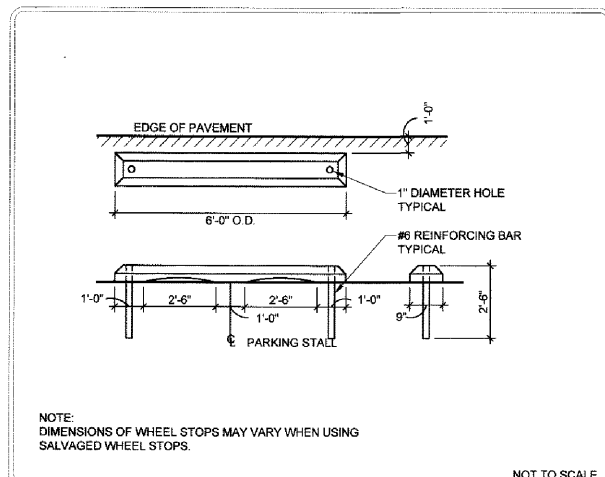
**ACCESSIBLE PARKING STALL(S) DETAIL**

PLATE NO.  
C-5024



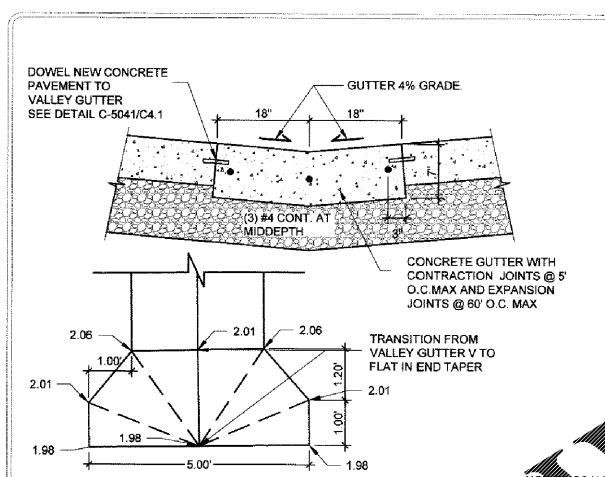
**ROCK CONSTRUCTION ENTRANCE DETAIL**  
(NOT SHOWN ON THIS CONTRACTOR TO FIELD FIT)

PLATE NO.  
C-1005



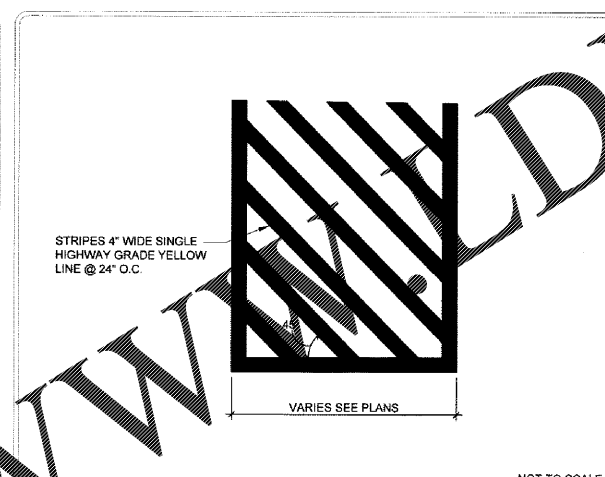
**PRECAST CONCRETE WHEEL STOP**

PLATE NO.  
C-5006



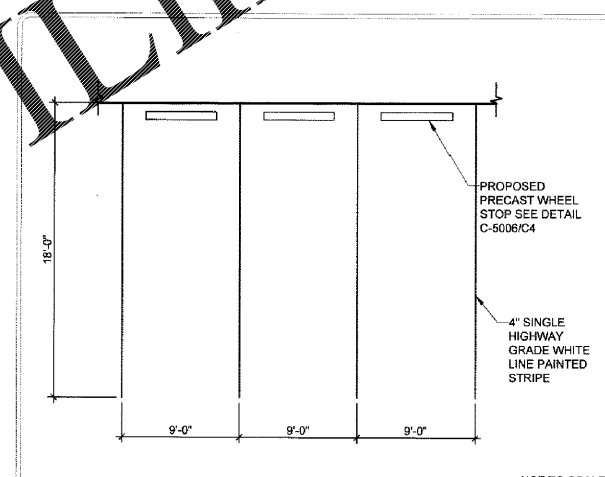
**CONCRETE VALLEY GUTTER AND END FLARE**

PLATE NO.  
C-3042



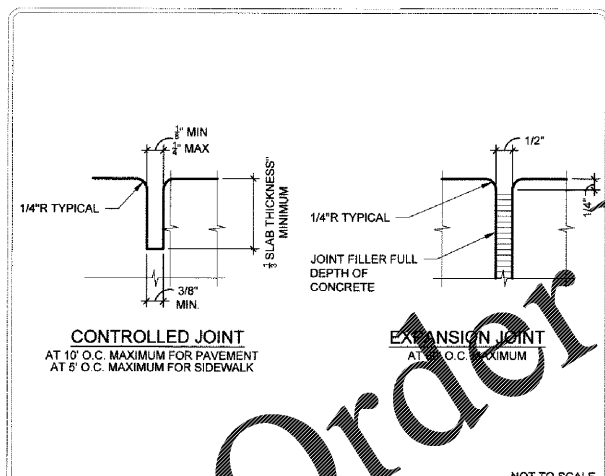
**NO PARKING AREA**

PLATE NO.  
C-5004



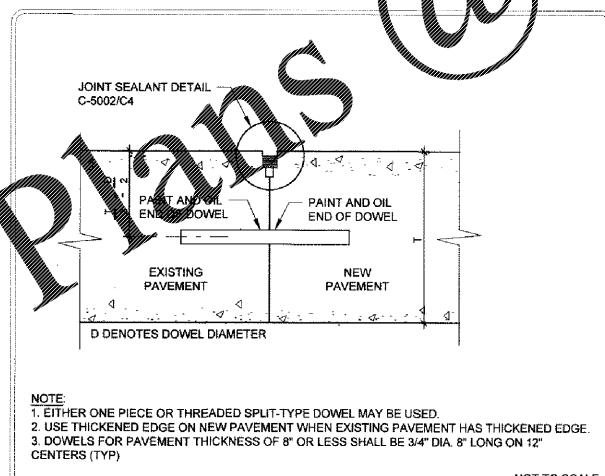
**PAVEMENT MARKING DETAIL**

PLATE NO.  
C-5085



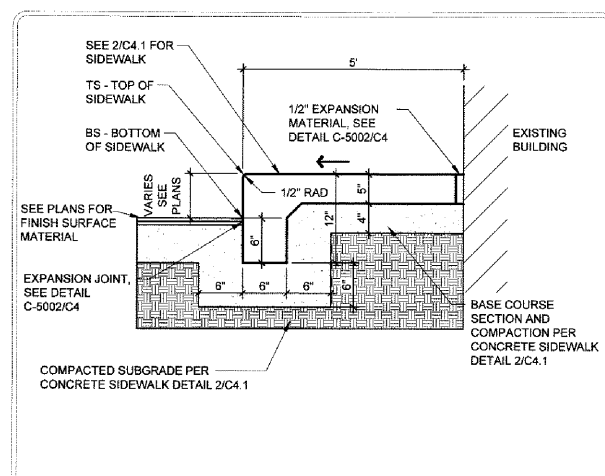
**JOINT DETAILS**

PLATE NO.  
C-5002



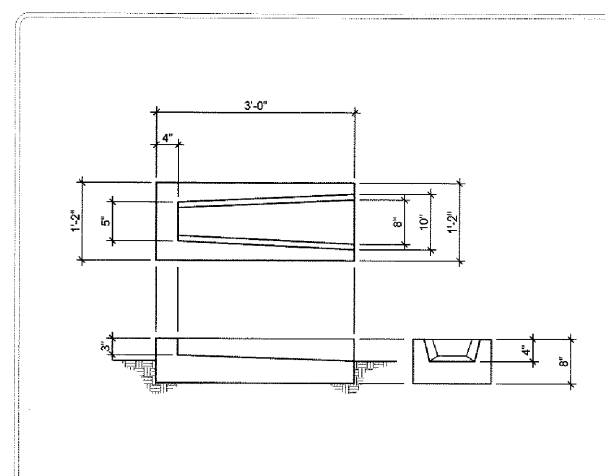
**DOWELED JOINT**

PLATE NO.  
C-5041



**MONOLITHIC CURB/SIDEWALK DETAIL**

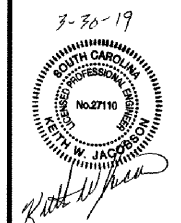
PLATE NO.  
C-5012



**CONCRETE SPLASH BLOCK**

PLATE NO.  
C-3045

Order Plans @ WWW.DI.LINC.COM



PROFESSIONAL ENGINEER  
**KEITH W. JACOBSON**  
 2300 Berkshire Lane N., Suite 200  
 Plymouth, MN 55441  
 Phone: 763.577.9100  
 Project #: 190099

PROJECT:  
**O'REILLY AUTO PARTS REMODEL**  
 628 GARDNER BLVD  
 HOLLY HILL, SC 29059

**CIVIL DETAILS**

**O'Reilly AUTO PARTS**  
 CORPORATE OFFICE  
 288 SOUTH PATTERSON  
 SPRINGFIELD, MISSOURI 65802  
 (417) 862-2674 TELEPHONE

DRAWN BY: BTR/TSH  
 CHECKED BY: ARL  
 DATE: 03/29/2019  
 REVISION:

PROJECT NUMBER:  
190035-HH-L

SHEET NUMBER

**C4**