

ENERGY CODE SPECIAL - NATIONAL ACCOUNT ROOFTOP UNIT SCHEDULE - 5 TON - GAS (3-PHASE) - BY O'REILLY

RTU - RESPONSIBILITIES

- 1.) ALL CARRIER HVAC UNITS ARE OWNER SUPPLIED BY O'REILLY AUTOMOTIVE.
- 2.) MECHANICAL CONTRACTOR IS RESPONSIBLE FOR THE INSTALLATION OF ALL CARRIER HVAC UNITS.
- 3.) MECHANICAL CONTRACTOR IS RESPONSIBLE FOR THE FIRST YEAR LABOR WARRANTY ON ALL OWNER SUPPLIED EQUIPMENT.
- 4.) MECHANICAL CONTRACTORS WORKING ON O'REILLY PROJECTS MUST CALL "CARRIER CORPORATION'S NATIONAL ACCOUNTS" DEPARTMENT FOR CONFIRMATION OF ORDERS ONLY.
- 5.) MECHANICAL CONTRACTOR IS RESPONSIBLE FOR SCHEDULING, SHIPPING & RECEIVING OF ALL CARRIER UNITS FROM CARRIER NATIONAL ACCOUNTS. CONTACT CUSTOMER SERVICE REP. LISTED TO THE RIGHT.

CALL THE CARRIER CUSTOMER SERVICE REP. BELOW FOR CONFIRMATION OF ORDERS. DO NOT CALL CARRIER FOR QUOTES!

CARRIER CORPORATION, STRATEGIC ACCOUNTS, CARRIER PARKWAY, SYRACUSE, NEW YORK 13221
 CUSTOMER SERVICE REPS: MARIA CAMPANELLO 315-432-3946, Maria.campanello@carrier.utc.com
 ACCOUNT MANAGER: PAUL WITZ, CELL 315-317-2481, paul.witz@carrier.utc.com

MARK	DESCRIPTION	MFR.	CATALOG NUMBER	HTG. MBH		THERM. EFF.	CLG. MBH	SEER	EER	SUPPLY FAN				ELECTRICAL	W. (lbs.)	ACCESSORIES	REMARKS	REF. DTL.			
				STAGE 1 IN/OUT	STAGE 2 IN/OUT					CFM	O.A.	ESP	HP						V/PH	MCA	MOCF
RTU-1 RTU-2 RTU-3 RTU-4	WEATHERMASTER PACKAGED ROOFTOP UNIT 5-TON	CARRIER	48HC1A08K2MS-6U1D0	120/98	30/21	150/117	80%	60.4	48.0	15.20	12.45	2000	△	0.6	1.50	230/3φ	30	45*	750	SEE BELOW	△△△ 1/M2 2/M2

ACCESSORIES - FACTORY SUPPLIED AND INSTALLED

- HE - 1" STAINLESS STEEL GAS HEAT EXCHANGER. (HIGH HEAT) (15 YR. WARRANTY).
- SD - RETURN AIR SMOKE DETECTOR.
- COF - CONDENSATE OVERFLOW SWITCH (CAN'T BE USED WITH HORIZONTAL RETURN UNITS).
- MS - MEDIUM STATIC BLOWER.
- HG - LOADED HAIL GUARDS.
- UPO - UN-POWERED CONVENIENCE OUTLET (FIELD POWERED), 15AMP, 120V, GROUND FAULT CIRCUIT INTERRUPTER (GFCI) TYPE.
- TBEG - THRU-THE-BOTTOM-ELECTRIC & GAS SERVICES. (SEE ROOF TOP UNIT DETAILS)
- SS - HI & LOW REFRIGERANT SAFETY SWITCHES. (STANDARD ON EVERY UNIT)
- AF - 2" RETURN AIR FILTERS. (STANDARD ON EVERY UNIT)
- EC - LOW LEAK DRY BULB ECONOMIZER X, W/BAROMETRIC RELIEF & 7220 HONEYWELL CONTROL. THIS ECONOMIZER & CONTROLLER IS LISTED BY THE ENERGY CODE AND IS EQUIPPED WITH FAULT DETECTION AND DIAGNOSTICS (FDD)

ACCESSORIES - FACTORY SUPPLIED & FIELD INSTALLED

- CO2 - CO2 SENSOR, WALL MOUNT, #33ZCSPIC02LCO-01
- CO2/SPACE TEMPERATURE SENSOR WITH LCD DISPLAY & NO OVERRIDE.
- RTRS - REMOTE TEST/RESET STATION, CARRIER #SD-TRM4(CRSDEST001400) FOR REMOTE TESTING/RESETTING OF DUCT SMOKE DETECTOR. SEE HVAC PLAN FOR MOUNTING LOCATIONS.
- HSA - ALARM/STROBE CARRIER #8536-G5(CRSDHNSB001A00). AUDIBLE/VISUAL SIGNAL DEVICE FOR SIGNALING ALARM OF DUCT SMOKE DETECTOR. SEE HVAC PLAN FOR MOUNTING LOCATIONS.

ACCESSORIES - FIELD SUPPLIED & FIELD INSTALLED

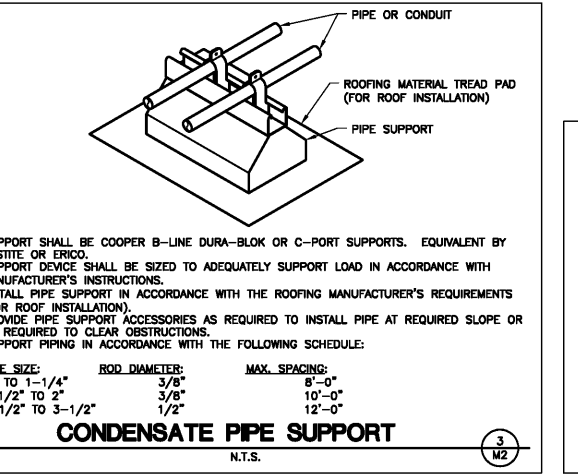
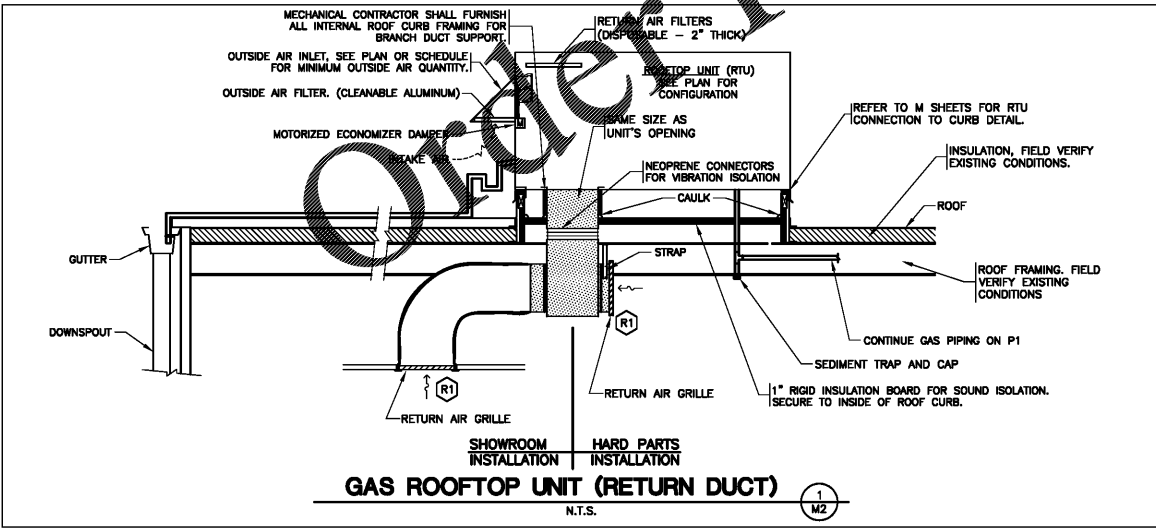
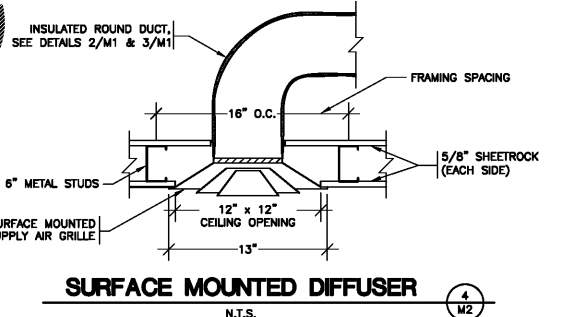
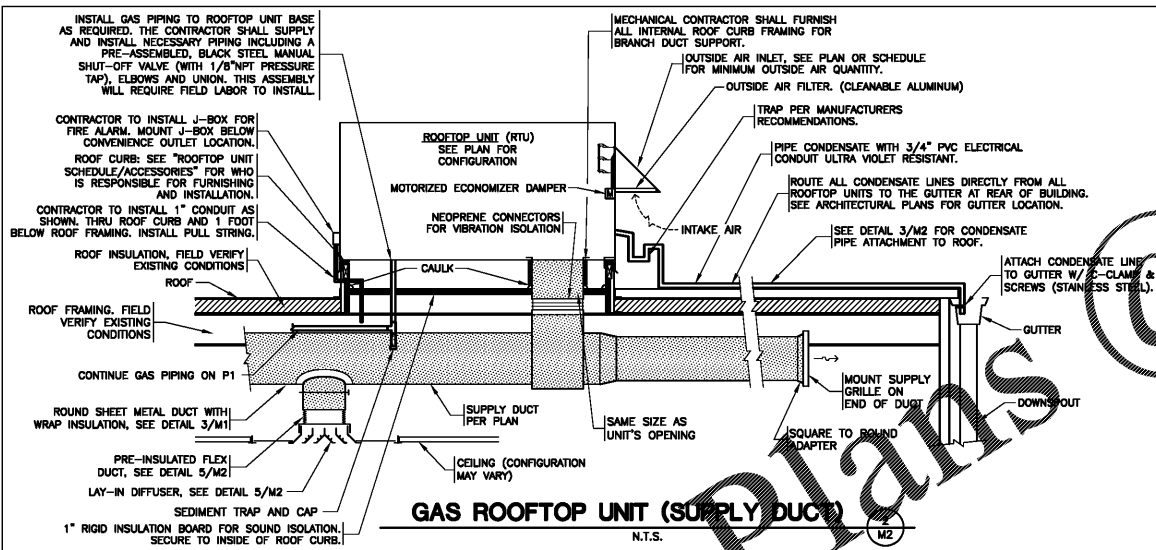
- CA - CURB ADAPTER - INSULATED CUSTOM CURB ADAPTOR FOR SPECIFIED RTU.

ACCESSORIES - O'REILLY SUPPLIED & FIELD INSTALLED

- TS1 - GRIDPOINT THERMOSTAT. (NO SUBSTITUTIONS). REFER TO EM SHEETS.
- OS - NON-FUSED DISCONNECT SWITCH. (GRAYBAR/O'REILLY) SUPPLIED W/ ELECTRICAL BILL OF MATERIALS.

REMARKS

- △ COOLING CAPACITY BASED ON 80°F EDB AND 67°F EWB.
- △ CAPACITY BASED ON 95°F AMBIENT TEMPERATURE.
- △ HOTEL HVAC COMPLETION. AT CONSTRUCTION COMPLETION:
 1. CONTRACTOR SHALL REPLACE ALL RETURN AIR FILTERS INSIDE ALL HVAC UNITS W/CLEAN NEW AIR FILTERS.
 2. CONTRACTOR SHALL SUPPLY AN ADDITIONAL CLEAN SET OF FILTERS TO THE OWNER AT JOB COMPLETION.
 3. CONTRACTOR SHALL SHOW THE STORE MANAGER THE LOCATION OF & INSTRUCT HIM/HER HOW TO CHANGE ALL AIR FILTERS.
- △ FACTORY EQUIPPED WITH STANDARD LOW AMBIENT COOLING TO 35°F ODB.
- △ OUTSIDE AIR, SEE PLAN FOR UNIT(S) REQUIRING OUTSIDE AIR.
- △ REFRIGERANT = R410A (PURON).
 - MAXIMUM CIRCUIT BREAKER OR TIME-DELAY FUSE.



FAN SCHEDULE

MARK	DESCRIPTION	MFR.	CATALOG NUMBER	CFM (NOM)	STATIC PRESS.	MOTOR H.P.	V/PH	MCA	MOCF	ACCESSORIES	REMARKS	REF. DETAIL
EE-1	INLINE EXHAUST FAN	COOK	GN-842	900	0.1	195W	120/1	-	-	BD,DS,WC	△△	-
EE-2	INLINE FAN	COOK	GN-842	900	0.1	195W	120/1	-	-	BD,DS,SS	△	-

ACCESSORIES
 BD - GRAVITY BACK DRAFT DAMPER
 DS - DISCONNECT SWITCH
 WC - WALL CAP, "COOK" #WCA-6, ALUMINUM
 SS - FAN SPEED SWITCH "COOK" #FSC (OFFICE ONLY)

REMARKS
 △ ADJUST FOR CFM REQUIRED.
 △ EXHAUST FAN SHALL BE WIRED BY THE ELECTRICAL CONTRACTOR TO OPERATE WITH EITHER RESTROOM'S LIGHT SWITCH.
 △ FAN IN OFFICE TO BE CONTROLLED BY FAN SPEED SWITCH.

APPROVED ALTERNATE MANUFACTURER'S
 FANS: *GREENHECK *CARNES

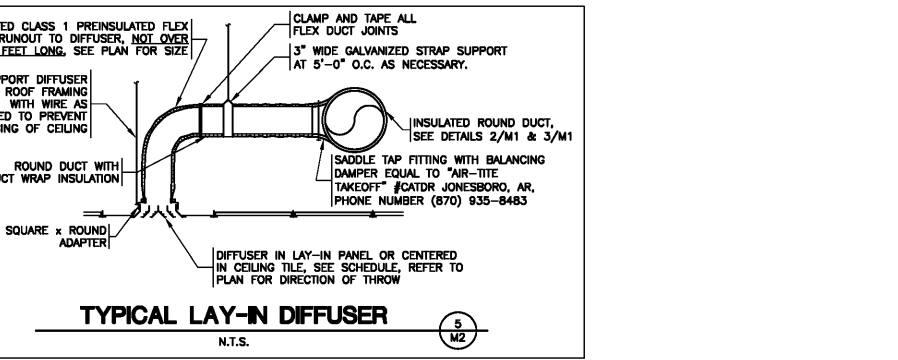
GRILLE AND DIFFUSER SCHEDULE

MARK	DESCRIPTION	MFR.	CATALOG NUMBER	SIZE (in.)	FINISH	MOUNTING	BRANCH DUCT SIZE	ACCESSORIES	REMARKS	REF. DETAIL
⑤1	SUPPLY GRILLE	ANEMOSTAT	S2H0	14x14	WHITE	DUCT	SEE PLAN	OB	△	-
⑤1	SUPPLY DIFFUSER	ANEMOSTAT	E-1-D	12x12	WHITE	SURFACE	SEE PLAN	DT	△	4/M2
⑤2	SUPPLY DIFFUSER	ANEMOSTAT	EPL	24x24	WHITE	DUCT/LAY-IN	SEE PLAN	-	△	5/M2
⑤1	RETURN GRILLE	ANEMOSTAT	GC5	24x24	WHITE	LAY-IN/EXPOSED	SEE PLAN	-	NON-FILTERED GRILLE	5/M2
⑤1	RETURN GRILLE	ANEMOSTAT	GC5	12x12	WHITE	SURFACE	SEE PLAN	-	NON-FILTERED GRILLE	4/M2
⑤2	EXHAUST GRILLE	ANEMOSTAT	S3HS	12x12	WHITE	CEILING	SEE PLAN	OB	△	-

ACCESSORIES
 OB - OPPOSED BLADE DAMPER.
 DT - DIRECTIONAL TABS.

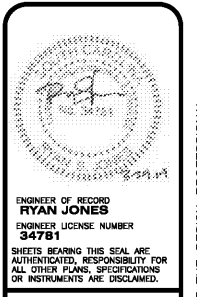
REMARKS
 △ 1-WAY
 △ 4-WAY
 △ DIRECTIONAL TABS, ADJUST TO PROVIDE THROW AS INDICATED ON PLANS.

APPROVED ALTERNATE MANUFACTURER'S
 GRILLES, DIFFUSERS & DAMPERS:
 *TUTTLE & BAILEY *NAILOR *ARROW *KRUEGER *CARNES
 *PRICE INDUSTRIES *TITUS *NORRIS *KREUER



WWW.LDILine.com

Order Plans



CJD
 Engineering | Energy | Innovation
 2225 West Chesapeake Boulevard, Suite 200, Springfield, MD 20687
 P: 417.877.1700
 www.cjd-eng.com

PROJECT:
 O'REILLY AUTO PARTS REMODEL
 628 GARDNER BLVD
 HOLLY HILL, SC 29059

HVAC SCHEDULES

O'Reilly AUTO PARTS
 CORPORATE OFFICES
 233 SOUTH PATTERSON
 SPRINGFIELD, MISSOURI 65802
 (417) 862-2674 TELEPHONE

DESIGNED BY: JBR
 CHECKED BY: CRF
 DATE: 03/29/2019
 REVISION:
 PROJECT NUMBER: 19035-HHL
 SHEET NUMBER: M2