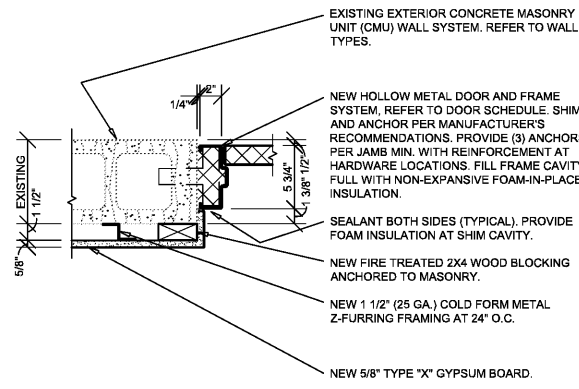


1 HEAD DETAIL

A5.1 SCALE: 1 1/2" = 1'-0"



2 JAMB DETAIL

A5.1 SCALE: 1 1/2" = 1'-0"

DOOR SCHEDULE

MK	DOOR				DOOR HARDWARE		FRAME		DETAILS			FIRE RATING	REMARKS (REFER NOTES)	
	SIZE (W x H x D)	TYPE	SWING	MATERIAL	GLAZ TYPE	SET #	KEYED	TYPE	MATERIAL	HEAD WIDTH	HEAD			JAMB
1	3'-0" X 7'-0" X 1-3/4"	A	REFER TO FLOOR PLAN	ALUMINUM	1	1	YES	1	ALUMINUM		4/A5.2	4/A5.2	5/A5.2	1, 2
2	3'-0" X 7'-0" X 1-3/4"	B	REFER TO FLOOR PLAN	INSULATED METAL		2	YES	2	INSULATED METAL	4"	1/A5.1	2/A5.1	5/A5.2 SIM.	1, 2, 3
3	6'-0" X 8'-0"	D	SECTIONAL OVERHEAD	INSULATED METAL		3			MANUFACTURER'S STANDARDS		5/A5.1	6/A5.1		1
4	3'-0" X 7'-0" X 1-3/4"	C	REFER TO FLOOR PLAN	SOLID WOOD		4		2	HOLLOW METAL		7/A5.1	8/A5.1		1, 4
5	3'-0" X 7'-0" X 1-3/4"	C	REFER TO FLOOR PLAN	SOLID WOOD		5		2	HOLLOW METAL		7/A5.1	8/A5.1		1, 4
6	3'-0" X 7'-0" X 1-3/4"	C	REFER TO FLOOR PLAN	SOLID WOOD		5		2	HOLLOW METAL		7/A5.1	8/A5.1		1, 4
7	3'-0" X 7'-0" X 1-3/4"	B	REFER TO FLOOR PLAN	INSULATED METAL		6		2	INSULATED METAL	4"	1/A5.1	2/A5.1	5/A5.2 SIM.	1, 3
8	3'-0" X 7'-0" X 1-3/4"	A	REFER TO FLOOR PLAN	ALUMINUM	2	7		1	ALUMINUM		4/A5.2	4/A5.2	5/A5.2 SIM.	1

NOTES:
 1. ALL DOORS SHALL BE SHOP PREPARED FOR HARDWARE.
 2. ALL EXTERIOR DOORS TO BE KEYPED ALIKE. CONTRACTOR TO FIELD VERIFY AND MATCH CORE OF DOOR MARKED "Z".
 3. EXTERIOR DOOR, FRAME AND HARDWARE OWNER FURNISHED AND CONTRACTOR INSTALLED.
 4. CONTRACTOR'S OPTION TO PURCHASE INTERIOR DOORS, FRAMES, AND HARDWARE THROUGH PREFERRED VENDOR.

LOCKNET
 100 COURTOISIE DRIVE
 NICHOLASVILLE, KY 40356
 CONTACT: PAM PEEL
 PHONE 800-887-4307 EXT 133
 FAX 859-881-5499
 EMAIL: construction@locknet.com

SPECIAL NOTE:
 UNLESS OTHERWISE INDICATED, KNOCK DOWN (KD) TYPE DOOR FRAMES ARE NOT PERMITTED.

DOOR HARDWARE SCHEDULE

HARDWARE NOTES:
 1. ALL HARDWARE TO BE ADA AND ANSI COMPLIANT.
 2. VERIFY COMPATIBILITY OF HARDWARE SPECIFIED. NOTIFY ARCHITECT OF INCOMPATIBILITY ISSUES PRIOR TO ORDERING AND INSTALLATION.

SET NO. 1 (DR. 1)
 1 CYLINDER: 20-062 X 626 - "E" KEYWAY (REMOVABLE CORE).....SCHLAGE
 1 PAIR OFFSET PIVOTS: 195/188 X 626.....RIXON
 1 DEADLOCK: MS1850S X 626.....ADAMS RITE
 1 DEADLOCK LEVER: 4550 X 626.....ADAMS RITE
 1 STRIKE: MS4002 X 626.....ADAMS RITE
 1 SET PUSH/PULLS: 86-151 ULTRALINE W/ OFFSET PULL X 626.....EFCO
 1 CLOSER: 4041-3077-181J-TB X 689 (ADJ. TO 8.5 LBS.).....LCN
 1 SET PERIMETER GASKETS: POLYMERIC BULB X LENGTH REQUIRED.....PEMKO
 1 SWEEP: 345AP X LENGTH REQUIRED.....PEMKO
 1 THRESHOLD: 270A X LENGTH REQUIRED (OFFSET POINT COMPATIBLE).....PEMKO (ANSI & ADA COMPLIANT)

SET NO. 2 (DR. 2)
 1 CONTINUOUS HINGE: 7111 X LENGTH REQUIRED X 626.....HAGER
 1 CYLINDER: 20-057 X 626 - "E" KEYWAY (REMOVABLE CORE).....SCHLAGE
 1 EXIT PANIC BAR: 936 X 486 X 689 - PR703 X 630 (THROUGH SEX BOLT MOUNTING).....DORMA
 1 CLOSER: 618DST X 589 (ADJ. TO 8.5 LBS.).....HAGER (THROUGH SEX BOLT MOUNTING).....DORMA
 1 SET PERIMETER GASKETS: QEBD-500 X LENGTH REQUIRED.....SCHLEGEL
 1 LATCH GUARD: LG100Z/SF X 626 (STRAIGHT W/ PIN AND SEX BOLTS).....LATCHGUARD
 1 DOOR BUMPER: 696 - 190 X 626.....YALE
 1 KICK PLATE: 190S X 8" X 34" X 630.....HAGER
 1 DOOR BOTTOM SEAL: 31321 X LENGTH REQUIRED.....GLOBAL
 1 THRESHOLD: 31206 X LENGTH REQUIRED.....GLOBAL

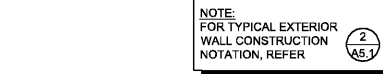
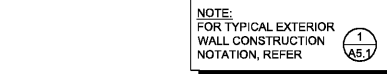
SET NO. 3 (DR. 3)
 1 CONTINUOUS HINGE: 7111 X LENGTH REQUIRED X 626.....HAGER
 1 EXIT PANIC BAR: 936 X 486 X 689 - PR703 X 630 (THROUGH SEX BOLT MOUNTING).....DORMA
 1 CLOSER: 618DST X 589 (ADJ. TO 8.5 LBS.).....HAGER (THROUGH SEX BOLT MOUNTING).....DORMA
 1 SET PERIMETER GASKETS: QEBD-500 X LENGTH REQUIRED.....SCHLEGEL
 1 LATCH GUARD: LG100Z/SF X 626 (STRAIGHT W/ PIN AND SEX BOLTS).....LATCHGUARD
 1 DOOR BUMPER: 696 - 190 X 626.....YALE
 1 KICK PLATE: 190S X 8" X 34" X 630.....HAGER
 1 DOOR BOTTOM SEAL: 31321 X LENGTH REQUIRED.....GLOBAL
 1 THRESHOLD: 31206 X LENGTH REQUIRED.....GLOBAL

SET NO. 4 (DR. 4)
 3 HINGES: BB1279 X 4 1/2" X 4 1/2" X 626.....HAGER
 1 OFFICE LOCK: AU5307LN X 626.....YALE
 1 WALL BUMPER: 409 X 626.....ROCKWOOD

SET NO. 5 (DR. 5, 6)
 3 HINGES: BB1279 X 4 1/2" X 4 1/2" X 626.....HAGER
 1 PRIVACY LOCK: AU5302LN X 626.....YALE
 1 WALL BUMPER: 409 X 626.....ROCKWOOD

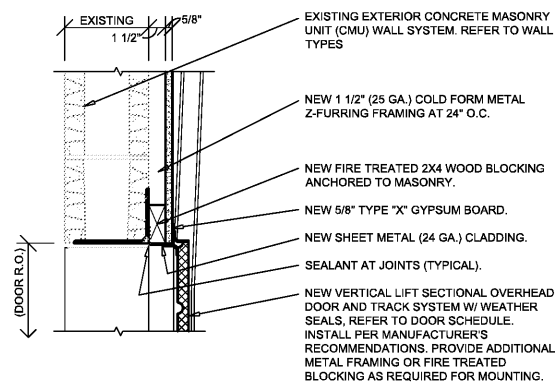
SET NO. 6 (DR. 7)
 3 HINGES: ECBB1100 X 4 1/2" X 4 1/2" X 626 X NRP.....HAGER
 1 EXIT ONLY PANIC LOCK: 8300B X 486 X 689.....DORMA
 1 CLOSER: 5300MLT X 689 (ADJ. TO 8.5 LBS.).....HAGER (THROUGH SEX BOLT MOUNTING).....DORMA
 1 SET PERIMETER GASKETS: QEBD-500 X LENGTH REQUIRED.....SCHLEGEL
 1 LATCH GUARD: LG100Z/SF X 626 (STRAIGHT W/ PIN W/ SEX BOLTS).....LATCHGUARD
 1 DOOR BOTTOM SEAL: 31321 X LENGTH REQUIRED.....GLOBAL
 1 THRESHOLD: 31206 X LENGTH REQUIRED.....GLOBAL

SET NO. 7 (DR. 8)
 1 PAIR OFFSET PIVOTS: 195/188 X 626.....RIXON
 1 SET PUSH/PULLS: 86-151 ULTRALINE W/ OFFSET PULL X 626.....EFCO
 1 CLOSER: 4041-3077-181J-TB X AL (ADJ. TO 8.5 LBS.).....LCN
 1 SET PERIMETER GASKETS: POLYMERIC BULB X LENGTH REQUIRED.....PEMKO



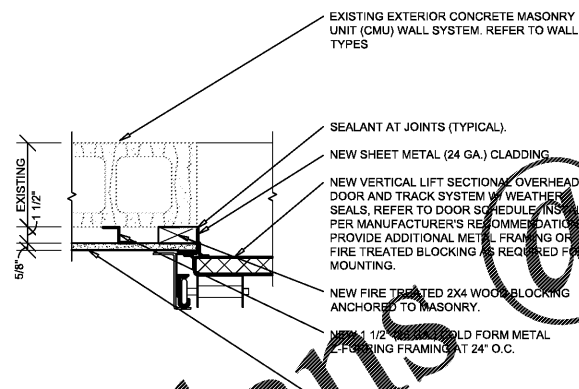
3 HEAD DETAIL

A5.1 SCALE: 1 1/2" = 1'-0"

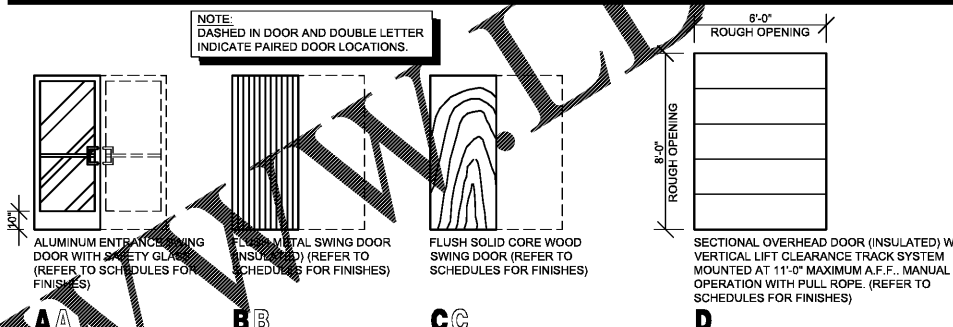


4 JAMB DETAIL

A5.1 SCALE: 1 1/2" = 1'-0"

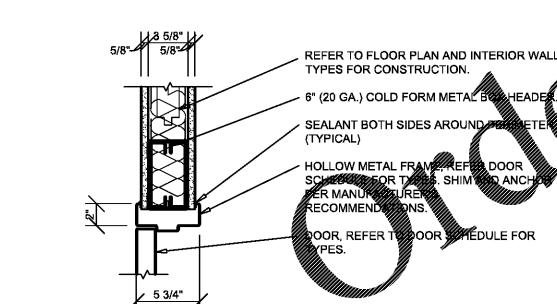


DOOR TYPES (SCALE 1/4" = 1'-0")



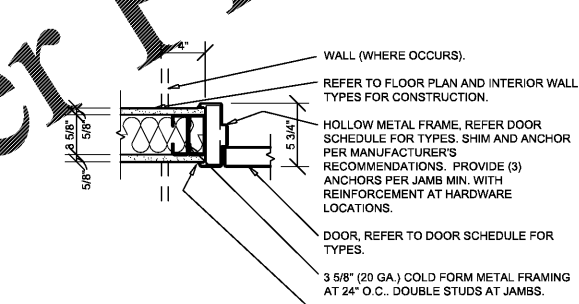
5 HEAD DETAIL

A5.1 SCALE: 1 1/2" = 1'-0"

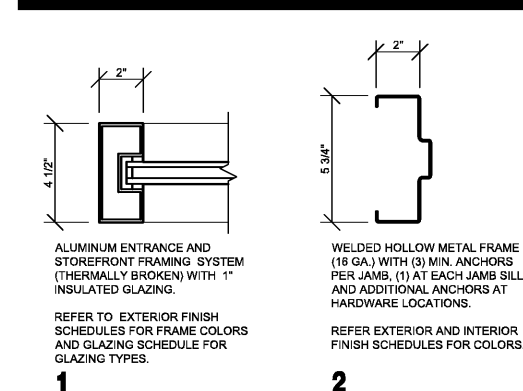


6 JAMB DETAIL

A5.1 SCALE: 1 1/2" = 1'-0"



FRAME TYPES (SCALE 3" = 1'-0")



7 HEAD DETAIL

A5.1 SCALE: 1 1/2" = 1'-0"



8 JAMB DETAIL

A5.1 SCALE: 1 1/2" = 1'-0"



GENERAL NOTES

- A REFER TO BUILDING CODE SUMMARY FOR PROJECT STRUCTURAL DESIGN CRITERIA. DOOR FRAMING AND ANCHORING SYSTEMS SHALL BE DESIGNED BY MANUFACTURER TO CONFORM TO PERFORMANCE AND TESTING REQUIREMENTS SPECIFIED.
- B REFER TO FLOOR PLAN, ELEVATIONS, AND SECTIONS FOR ADDITIONAL REQUIREMENTS.
- C REFER TO EXTERIOR AND INTERIOR FINISH SCHEDULES FOR COLORS. PERIMETER SEALANT COLOR TO MATCH FRAME COLOR UNLESS OTHERWISE INDICATED.

KYLE W. RADER
 ARCHITECT
 03/29/2019
 ARCHITECT OF RECORD
 ARCHITECT LICENSE NUMBER
 9539

SHEETS BEARING THIS SEAL ARE AUTHENTICATED. RESPONSIBILITY FOR ALL OTHER PLANS, SPECIFICATIONS OR INSTRUMENTS ARE DECLINED.

KYLE RADER, ARCHITECT

116 N. 2ND AVENUE
 OZARK, MO 65721
 P (417) 581-8889
 F (417) 581-9002

PROJECT:
 O'REILLY AUTO PARTS REMODEL
 628 GARDNER BLVD
 HOLLY HILL, SC 29059

O'Reilly AUTO PARTS

CORPORATE OFFICES
 235 SOUTH PATTERSON
 SPRINGFIELD, MISSOURI 65902
 (417) 862-2674 TELEPHONE

DOOR SCHEDULE

DRAWN BY: MB

CHECKED BY: SH, KR

DATE: 03/29/2019

REVISION:

PROJECT NUMBER:
 19035-HLL

SHEET NUMBER
A5.1

Order Plans @ WWW.LDPLINE.COM

REPRODUCTION PROHIBITED WITHOUT THE EXPRESSED WRITTEN CONSENT OF THE DESIGN PROFESSIONAL. COPYRIGHT 2016 - DESIGNS, DRAWINGS AND SPECIFICATIONS ARE INSTRUMENTS OF SERVICE AND ARE THE PROPERTY OF THE DESIGN PROFESSIONAL.