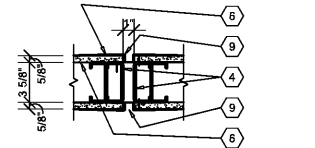
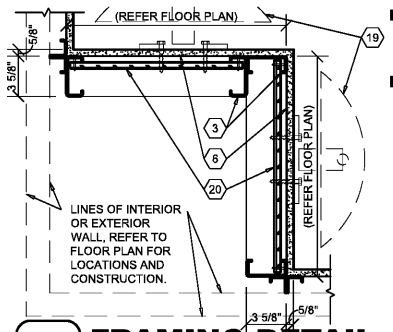


SPECIAL NOTE:
COLD FORM FRAMING TO BE INDEPENDENT
ACROSS JOINT. REFER STRUCTURAL
DRAWINGS. INSTALL REVEALS PER
MANUFACTURER'S RECOMMENDATIONS.



2 GYPSUM BOARD JOINT DETAIL
A4.2 SCALE: 1 1/2" = 1'-0"



4 FRAMING DETAIL
A4.2 SCALE: 1 1/2" = 1'-0"

INTERIOR WALL & CEILING NOTES

- GENERAL:
 - REFER TO FINISH SCHEDULES FOR ADDITIONAL WALL FINISH MATERIAL APPLICATIONS.
 - REFER TO WALL TYPES AND DETAILS FOR ADDITIONAL CONDITIONS.
 - WHERE WALL FRAMING EXTENDS TO BOTTOM OF ROOF DECK OR STRUCTURE, PROVIDE DEFLECTION CHANNELS AT TOP TRACK FOR 1 1/2" MINIMUM DEFLECTION.
 - REFER TO STRUCTURAL DRAWINGS FOR STRUCTURAL STUD REQUIREMENTS.
 - REFER TO DOOR HEAD, JAMB AND SILL DETAILS FOR ADDITIONAL FRAMING REQUIREMENTS.
 - PROVIDE HORIZONTAL STUD BRIDGING AT 4'-0" O.C. VERTICAL.
- FRAMING:
 - PROVIDE FIRE TREATED 2X BLOCKING AS REQUIRED FOR INSTALLATION OF ACCESSORIES PER MANUFACTURER'S RECOMMENDATIONS.
 - PROVIDE DIAGONAL WALL BRACING (3" X 16 GA. FLAT STRIP) AT CORNER FACES OF FREE STANDING PARTITION SYSTEMS.
- GYPSUM AND BACKING BOARD:
 - EXPANSION/CONTROL JOINTS: INSTALL EXPANSION/CONTROL JOINTS IN CEILINGS EXCEEDING 2500 SQ. FT. IN AREA AND IN PARTITION WALL LENGTHS EXCEEDING 30 FEET. DO NOT EXCEED A DISTANCE OF 50 FEET IN ANY DIRECTION BETWEEN CEILING JOINTS. INSTALL CONTROL JOINTS WHERE FRAMING OR FURRINGS CHANGES DIRECTION.
 - PROVIDE MOISTURE RESISTANT TYPE "X" GYPSUM BOARD AT ALL WET LOCATIONS (RESTROOMS, WET WALLS, AND JANITORS'S SINK AREAS).
 - PROVIDE "J" MOLDING, REGLETS, OR CORNER BEAD AT GYPSUM BOARD PERIMETER CONDITIONS TRANSITIONING TO DISSIMILAR EXPOSED FINISH MATERIALS.
- INSULATION:
 - INSULATION SHALL HAVE A FLAME SPREAD RATING OF 0-25 AND A SMOKE DEVELOPMENT RATING OF 0-450.
 - PROVIDE SEALANT ON BOTH SIDES OF STUD BOTTOM TRACKS AT ACOUSTICAL INSULATED WALL LOCATIONS.
 - FIRE STOPPING:
 - PROVIDE FIRE STOPPING AND FIRE SEALANT MATERIALS AS REQUIRED AT ALL FIRE RATED ASSEMBLY TRANSITIONS, PENETRATIONS, AND PERIMETER CONDITIONS. RATING TO BE EQUAL TO RATED ASSEMBLY.

GENERAL NOTES

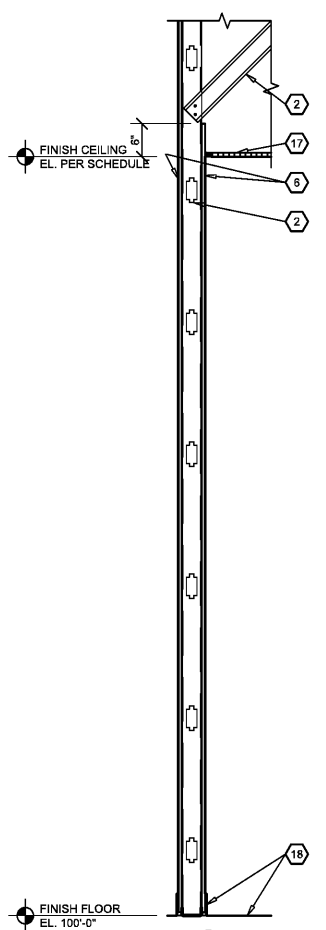
- DIMENSIONS ARE TO ROUGH FACE OF CONCRETE, MASONRY, FRAMING, OR CENTER LINE OF STRUCTURE UNLESS OTHERWISE INDICATED.
- REFER TO INTERIOR FINISH SCHEDULES FOR MATERIAL TYPES, COLORS AND FINISHES.
- REFER TO STRUCTURAL, MECHANICAL AND ELECTRICAL DRAWINGS FOR ADDITIONAL INFORMATION.
- INSULATION: UPON COMPLETION OF DEMOLITION, THE GC SHALL CONTACT THE PROFESSIONAL OF RECORD IMMEDIATELY IF KRAFT-FACED INSULATION IS DISCOVERED.

KEY NOTES

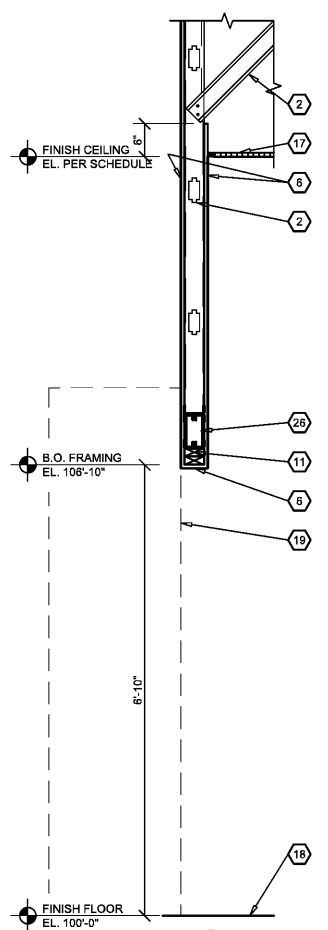
- (NOT USED)
- 3 5/8" COLD FORM METAL FRAMING ATTACHED TO ROOF STRUCTURE. REFER TO STRUCTURAL DRAWINGS FOR FRAMING REQUIREMENTS.
- 3 5/8" COLD FORM METAL FRAMING AT 24" O.C. REFER TO INTERIOR FINISH SCHEDULE FOR ADDITIONAL REQUIREMENTS.
- 3 5/8" COLD FORM METAL STUDS DOUBLED AT CONTROL JOINT.
- 8" (2005192-54) COLD FORM METAL CEILING JOIST FRAMING AT 24" O.C.
- 5/8" TYPE "X" GYPSUM BOARD. REFER TO INTERIOR WALL TYPES AND FINISH SCHEDULES FOR ADDITIONAL REQUIREMENTS.
- GYPSUM BOARD CORNER BEAD CONTINUOUS.
- (NOT USED)
- GYPSUM BOARD CONTIGUES EXPANSION JOINT. PROVIDE FRY REGLET "DRMF-625-75" AND "JDM-825" AT JOINT ON BOTH SIDES OF WALL.
- (NOT USED)
- (2) FIRE TREATED 2X NAILERS.
- 1X4 WOOD TRIM (PAINT GRADE PINE) ATTACHED TO METAL STUD FRAMING WITH TECH 12 SCREWS AT 24" O.C. SET FLUSH. PAINT EXPOSED SURFACES TO MATCH WALL FINISH.
- 8" UNFACED SOUND BATT INSULATION.
- 3 1/2" UNFACED SOUND BATT INSULATION.
- (NOT USED)
- (NOT USED)
- SUSPENDED ACOUSTICAL CEILING SYSTEM, REFER TO INTERIOR FINISH SCHEDULE FOR TYPES AND LOCATIONS.
- FINISH FLOORING AND BASE, REFER TO INTERIOR FINISH SCHEDULE FOR TYPES AND LOCATIONS.
- OWNER FURNISHED AND INSTALLED FIXTURE, REFER TO INTERIOR FINISH PLAN FOR LAYOUT.
- 5/8" FIRE TREATED PLYWOOD BACKING TO BACK SIDE OF STUD INTERIOR FLANGE ON EACH EXPOSED WALL FACE FROM 8'-0" TO 10'-0" A.F.F. FOR INSTALLATION OF SECURITY MIRRORS (OWNER FURNISHED AND INSTALLED).
- PORTABLE FIRE EXTINGUISHER MOUNTED AT 42" ABOVE FINISH FLOOR TO CENTERLINE OF EXTINGUISHER. FIRE EXTINGUISHERS SHALL BE UL LISTED ABC TYPE, WITH 10 LBS. CAPACITY. MOUNTING BRACKET QUICK RELEASE TYPE. REFER TO FLOOR PLAN FOR LOCATIONS. PROVIDE BLOCKING AS REQUIRED FOR MOUNTING.
- 1/2" X 4" PLYWOOD BLOCKING AT TOP, MIDDLE, AND BOTTOM (PAINT). REFER TO FINISH SCHEDULE FOR COLOR. REFER TO FLOOR PLAN AND INTERIOR ELEVATIONS FOR ADDITIONAL INFO.
- 1X4 WOOD TRIM (PAINT GRADE PINE) ATTACHED TO GYP. BOARD OVER METAL STUD FRAMING WITH TECH 12 SCREWS AT 16" O.C. SET FLUSH. 1/8" ABOVE FINISH FLOOR AND PAINT. REFER TO INTERIOR FINISH SCHEDULE FOR COLOR. REFER TO INTERIOR ELEVATIONS FOR FURTHER DETAIL.
- 1X2 WOOD TRIM (PAINT GRADE PINE) ATTACHED TO GYP. BOARD OVER METAL STUD FRAMING WITH TECH 12 SCREWS AT 16" O.C. SET FLUSH ABOVE 1 X 4 FLOOR TRIM. PAINT ALL EXPOSED FACES. REFER TO INTERIOR FINISH SCHEDULE FOR COLOR. REFER TO INTERIOR ELEVATIONS FOR FURTHER DETAIL.
- PEG BOARD ATTACHED TO 1/2" X 4" PLYWOOD BLOCKING AT TOP, MIDDLE AND BOTTOM. PAINT ALL EXPOSED SURFACES. REFER TO INTERIOR FINISH SCHEDULE FOR COLOR. REFER TO INTERIOR ELEVATIONS FOR FURTHER DETAIL.
- COLD FORM BOX HEADER PER STRUCTURAL.

1 NOT USED
A4.2 SCALE: 3/4" = 1'-0"

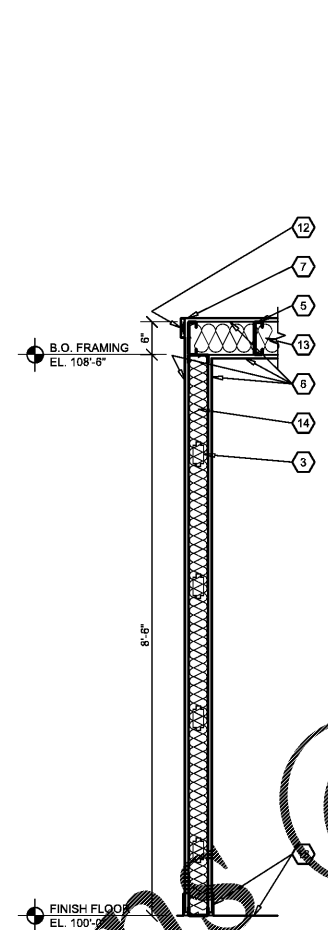
3 NOT USED
A4.2 SCALE: 1 1/2" = 1'-0"



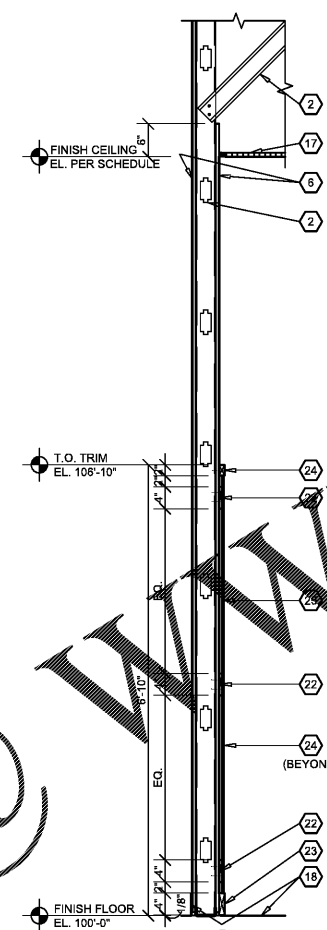
5 INTERIOR WALL SECTION
A4.2 SCALE: 3/4" = 1'-0"



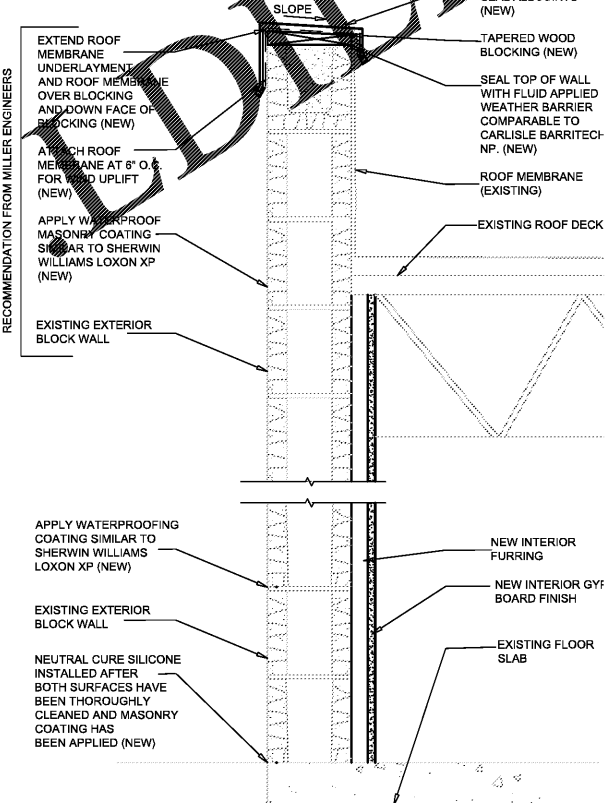
6 INTERIOR WALL SECTION
A4.2 SCALE: 3/4" = 1'-0"



7 INTERIOR WALL SECTION
A4.2 SCALE: 3/4" = 1'-0"

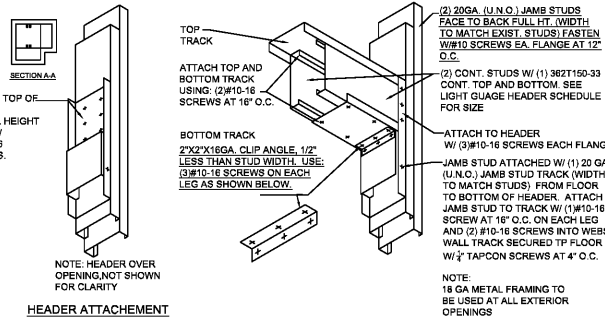


8 INTERIOR WALL SECTION
A4.2 SCALE: 3/4" = 1'-0"



13 WATER REMEDIATION

A4.2 SCALE: 1-1/2" = 1'-0"



12 FRAMING DETAIL
A4.2 SCALE: NOT TO SCALE

SEISMIC DESIGN CATEGORY "C":
CONFORM TO ASTM E580.
-MINIMUM 7/8" WALL MOLDING
-SUSPENSION SYSTEM MUST NOT BE ATTACHED TO THE WALL MOLDING.
-MINIMUM 3/8" CLEARANCE ON ALL SIDES.
-MINIMUM 3/8" OVERLAP OF THE SUSPENSION SYSTEM ON THE WALL MOLDING.
-ENDS OF MAIN BEAMS AND CROSS TEES MUST BE TIED TOGETHER TO PREVENT THEIR SPREADING.
-SAFETY WIRES REQUIRED ON LIGHT FIXTURES.

SPECIAL NOTE:
REFER TO SHEET T1 FOR PROJECTS
DEFINED SEISMIC DESIGN CATEGORY
TO DETERMINE INSTALLATION
REQUIREMENTS.

9 SUSPENDED CEILING SEISMIC BRACING

A4.2 NOT TO SCALE

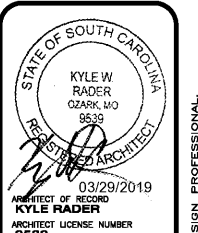
10 FIRE EXTINGUISHER DETAIL

A4.2 SCALE: 1/2" = 1'-0"

11 VENT THRU ROOF DETAIL

A4.2 NOT TO SCALE

Order Plans @ WWW.MILLERENGINEERS.COM



KYLE W. RADER
OZARK, MO 65721
P (417) 581-8889
F (417) 581-9002

KYLE RADER, ARCHITECT

PROJECT:
O'REILLY AUTO PARTS REMODEL
628 GARDNER BLVD
HOLLY HILL, SC 29059

O'Reilly AUTO PARTS
CORPORATE OFFICES
235 SOUTH PATTERSON
SPRINGFIELD, MISSOURI 65902
(417) 862-2674 TELEPHONE

DRAWN BY: MB
CHECKED BY: SH, KR
DATE: 03/29/2019
REVISION:

PROJECT NUMBER:
19035-HHL
SHEET NUMBER
A4.2

© COPYRIGHT 2016 - DESIGNS, DRAWINGS AND SPECIFICATIONS ARE INSTRUMENTS OF SERVICE AND ARE THE PROPERTY OF THE DESIGN PROFESSIONAL. REPRODUCTION PROHIBITED WITHOUT THE EXPRESSED WRITTEN CONSENT OF THE DESIGN PROFESSIONAL.