

HVAC LOAD CALCULATIONS

Design Weather Parameters & MSHGs table with columns for parameter name and value. Includes items like City Name (Charlotte), Location (North Carolina), and various temperature and humidity design values.

Air System Sizing Summary for Reebok Charlotte

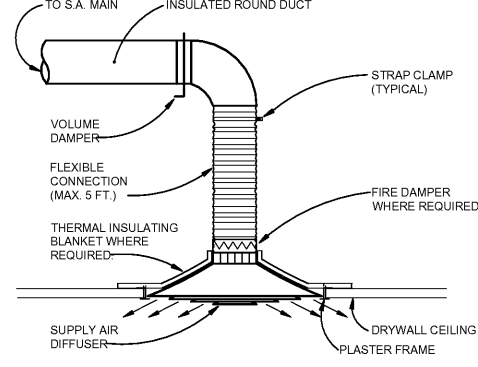
Summary table for Air System Sizing. Includes columns for Air System Name (Reebok Charlotte), Equipment Class (PKG ROOF), and various sizing parameters like Total coil load, Sensible coil load, and Water flow.

Summary table for Supply Fan Sizing. Includes columns for Actual max CFM, Standard CFM, and Fan motor BHP/kW.

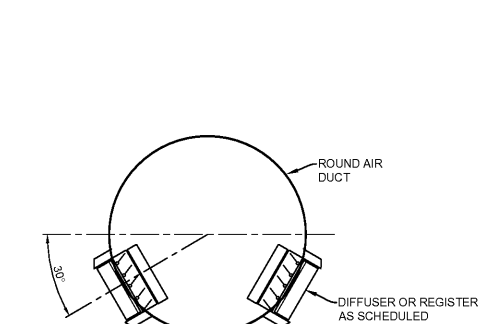
Table for Outdoor Ventilation Air Data. Columns include Zone Name, Space Name, Mult., Cooling Sensible Load, Time of Peak Sensible Load, Air Flow, Heating Load, Floor Area, and Space CFM/HR.

Air System Design Load Summary for Reebok Charlotte

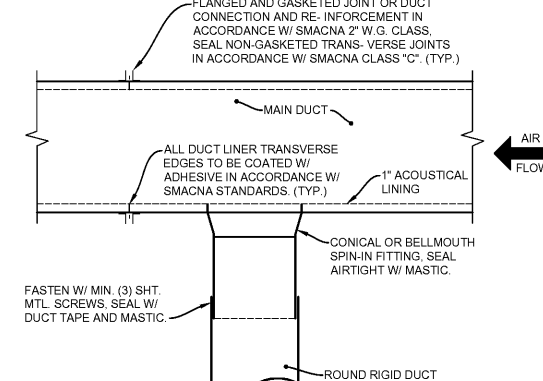
Large table for Air System Design Load Summary. Divided into DESIGN COOLING and HEATING DATA AT DES HTG. Includes sub-sections for ZONE LOADS and PLenum loads with detailed load breakdowns.



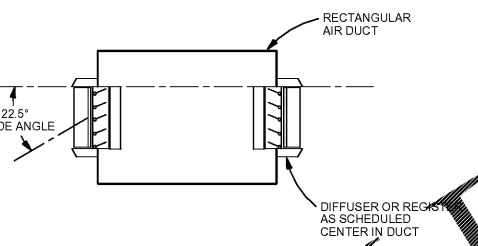
A DIFFUSER MOUNTING SCHEMATIC N.T.S.



C DUCT MOUNTED DIFFUSER SCHEMATIC N.T.S.



B TYP. ROUND DUCT TAKE-OFF SCHEMATIC N.T.S.



D DUCT MOUNTED DIFFUSER SCHEMATIC N.T.S.

Ventilation Sizing Summary for Reebok Charlotte

Summary table for Ventilation Sizing. Includes Summary and Space Ventilation Analysis sections with various data points for design conditions and space requirements.

DUCTLESS SPLIT SYSTEM SCHEDULE

Table for Ductless Split System Schedule. Columns include Quantity, Unit Number, Toshiba Model #, Flow (CFM), Electrical Data, Performance, Weight, and Remarks.

EXISTING ROOFTOP UNIT SCHEDULE

Table for Existing Rooftop Unit Schedule. Columns include Quantity, Unit Number, York Model #, Nominal Tons, Supply Fan, Electrical, Heating, Cooling, and Unit Base Weight.

AIR DEVICE SCHEDULE

Table for Air Device Schedule. Includes columns for Symbol, Manufacturer Catalog Number, Nominal Size, Mounting, Material, Finish, DPR, Border, and Notes. Lists various diffuser and damper models.

MECHANICAL/PLUMBING RESPONSIBILITY SCHEDULE

Table for Mechanical/Plumbing Responsibility Schedule. Columns include Item, Furnished By (Tenant/LL/Contr), Installed By (LL/Contr), Reuse Existing, N/A, and Remarks. Lists various mechanical and plumbing items.

GENERAL NOTE: THIS SCHEDULE IS INTENDED AS A "QUICK" REFERENCE. ALL ITEMS LISTED HERE ARE SPECIFIED AND DETAILED ON THESE DRAWINGS. IF THE CONTRACTOR ENCOUNTERS ITEMS THAT ARE CONTRADICTORY THEN IT IS HIS RESPONSIBILITY TO INFORM TENANT'S CONSTRUCTION MANAGER...

Boston + Brockton 142 Crescent Street Brockton, MA 02302 508.583.5603 bkaarchitects.com

CONSULTANT

SEAL

ISSUED 4/12/19 LL & PERMIT REVIEW

REVISIONS

OWNER/CLIENT REEBOK INTERNATIONAL

PROJECT CHARLOTTE PREMIUM OUTLETS

5518 NEW FASHION WAY SUITE #510 CHARLOTTE, NC 28278

DRAWING TITLE MECHANICAL SCHEDULES AND SCHEMATICS

DRAWING INFORMATION Job Number: 219007 Checked By: CSD Drawn By: WPK

DRAWING NUMBER