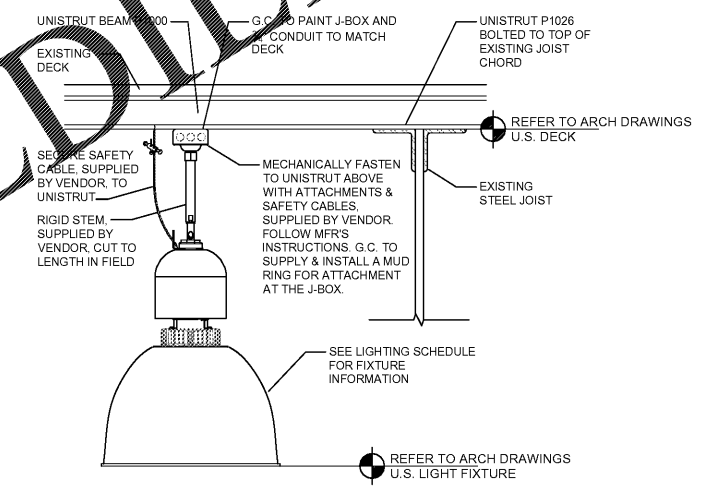


**LIGHTING PLAN**  
1/8"=1'-0"



**LIGHT TYPE 'B'**  
18' A.F.F & ABOVE ATTACHMENT

SCALE: 1 1/2"= 1'-0" COORDINATE WITH ARCHITECT DRAWINGS

**LIGHTING CODED NOTES**

- 1 CONNECT SALES AREA EXIT/EMERGENCY LIGHT FIXTURES TO UNSWITCHED CIRCUIT "LP-20".
- 2 CONNECT EXIT SIGNS/EMERGENCY LIGHT FIXTURE IN NON-SALES TO LOCAL CIRCUIT AHEAD OF SWITCHING.
- 3 MASTER LIGHTING SWITCH BANK LOCATION. SEE DETAIL "B" ON THIS SHEET.
- 4 HOMERUN THROUGH LIGHTING CONTROL PANEL AND CURRENT LIMITING PANEL. CONNECT THROUGH BUTTON INDICATED ON MASTER LIGHTING SWITCH BANK DETAIL "B" AND THROUGH CURRENT LIMITER DETAIL "A" INDICATED ON THIS SHEET. ALSO SEE LIGHTING CONTROL PANEL INFO ON SHEET E150.
- 5 CONNECT CASH WRAP SIGN LIGHTING THROUGH TIME CLOCK IN LIGHTING CONTROL PANEL. SEE LIGHTING CONTROL PANEL INFO ON SHEET E150.
- 6 STORE FRONT SIGN. EXISTING JUNCTION BOX AND DISCONNECT TOGGLE TYPE SWITCH WITH MINIMUM 12' WHIP CONNECTION FOR CONNECTION BY OTHERS TO THE STORE FRONT SIGN PER N.E.C. CONNECT THROUGH LIGHTING CONTROL PANEL. SEE LIGHTING CONTROL PANEL INFO ON SHEET E150.
- 7 HOMERUN THROUGH LIGHTING CONTROL PANEL. CONNECT THROUGH BUTTON INDICATED ON MASTER LIGHTING SWITCH BANK DETAIL ON THIS SHEET. ALSO SEE LIGHTING CONTROL PANEL INFO ON SHEET E150.
- 8 CONNECT STORE FRONT LIGHTING THROUGH LIGHTING CONTROL PANEL AND THROUGH CURRENT LIMITING PANEL. SEE TRACK LIGHTING CURRENT LIMITING DETAIL "A" ON THIS SHEET AND LIGHTING CONTROL PANEL INFO ON SHEET E150.
- 9 EXISTING MOTION SENSOR, LIGHT FIXTURE AND EXHAUST FAN IN RESTROOM TO REMAIN. CONNECT TO CIRCUIT LP-18.
- 10 LIGHTING CONTROL AND CURRENT LIMITING PANELS. PROVIDE LEVITON "EZ-MAX RELAY CONTROL PANEL" AND GREENMAX CURRENT LIMITING PANEL. REFER TO DETAIL "A" ON THIS SHEET AND SHEET E150 FOR MORE INFO. VERIFY ALL REQUIREMENTS WITH OWNER AND LIGHTING DESIGNER.
- 11 EC TO FURNISH AND INSTALL WALL MOUNTED MANUAL-ON/ OCCUPANCY SENSOR SWITCH.
- 12 EC TO FURNISH AND INSTALL CEILING MOUNTED VACANCY SENSOR.
- 13 EC TO FURNISH AND INSTALL CEILING MOUNTED POWER PACK.
- 14 CONNECT EXIT/EMERGENCY LIGHT FIXTURES IN FITTING ROOM TO LOCAL CIRCUIT AHEAD OF SWITCHING.
- 15 EC TO FURNISH AND INSTALL WALL MOUNTED MANUAL-ON/OCCUPANCY SWITCH FOR CONTROL OF POWER PACK/VACANCY SENSOR.

**LIGHTING GENERAL NOTES:**

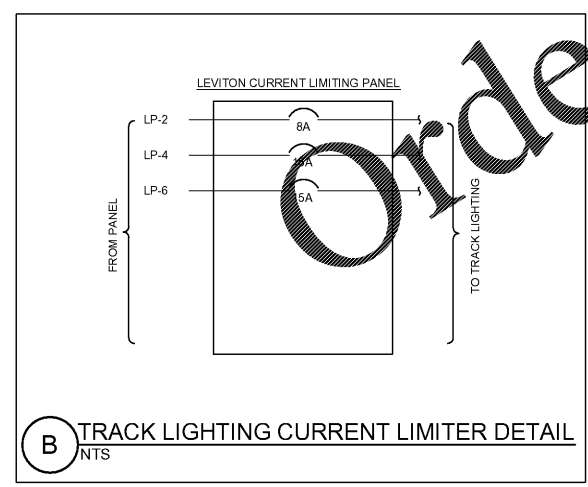
- A. LIGHTING SHALL BE CIRCUITED EXACTLY AS SHOWN ON PLANS.
- B. SEE ARCHITECTURAL REFLECTED CEILING PLAN FOR EXACT LOCATION AND QUANTITY OF LIGHTING FIXTURES.
- C. EMERGENCY AND EXIT LIGHTS SHALL BE INSTALLED AND CIRCUITED PER THE LATEST NATIONAL ELECTRICAL CODE AND ALL LOCAL CODES. ALL EMERGENCY AND EXIT FIXTURES SHALL BE DUAL VOLTAGE (120/277 VOLT INPUT) WITH BATTERY BACKUP.
- D. CONTRACTOR IS RESPONSIBLE FOR ALL REFLECTED CEILING PLAN NOTES ON ARCHITECTURAL DRAWINGS.

**FIELD VERIFY ALL CONDITIONS**

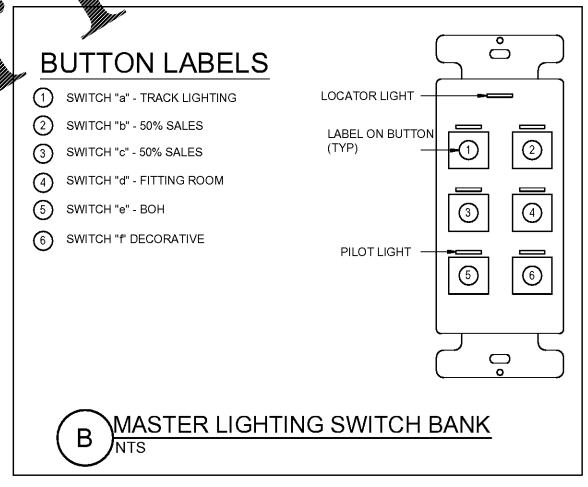
DESIGN DRAWINGS ARE SCHEMATIC. THIS CONTRACTOR SHALL VISIT THE SITE PRIOR TO BIDDING OR AWARD OF CONTRACT TO INSPECT EXISTING FIELD CONDITIONS. THIS CONTRACT SHALL INCLUDE ALL LABOR AND MATERIALS NECESSARY FOR FIELD MODIFICATIONS DUE TO EXISTING CONDITIONS.

THE CONTRACTOR SHALL CONTACT THE ARCHITECT, ENGINEER OR OWNER PRIOR TO BIDDING FOR INTERPRETATIONS AND CLARIFICATIONS OF THE DESIGN AND INCLUDE IN HIS BID ALL COSTS TO MEET THE DESIGN INTENT. CLARIFICATIONS MADE BY THE ARCHITECT, ENGINEER OR OWNER AFTER BIDDING WILL BE FINAL AND SHALL BE IMPLEMENTED AT CONTRACTORS COST.

BIDDING CONTRACTORS SHALL HAVE A WORKING KNOWLEDGE OF LOCAL CODES AND ORDINANCES AND SHALL INCLUDE IN THEIR BIDS THE COSTS FOR ALL WORK INSTALLED IN STRICT ACCORDANCE WITH GOVERNING CODES. THE PLANS AND SPECIFICATIONS NOT WITHSTANDING, THE CONTRACTOR SHALL ALERT ARCHITECT, ENGINEER OR OWNER OF ANY APPARENT DISCREPANCIES BETWEEN GOVERNING CODES AND DESIGN INTENT.



**TRACK LIGHTING CURRENT LIMITER DETAIL**  
NTS



**MASTER LIGHTING SWITCH BANK**  
NTS

Order Plans @ www.LDOnline.com