

Last save: Apr 11, 2019 - 9:55am

POWER CODED NOTES

- 1 TELEPHONE BOARD: PROVIDE NEW BACKBOARD AND QUADRAPLEX RECEPTACLE FOR TELEPHONE EQUIPMENT...
2 TENANT ELECTRICAL CONTRACTOR SHALL PROVIDE 1" CONDUIT AND CAT 6 CABLE FROM TELEPHONE/FAX DATA OUTLETS TO MANAGERS OFFICE AND D-MARC EQUIPMENT...
3 SHOW WINDOW RECEPTACLE: RECEPTACLES AND COVERPLATES WITH AN "SF" DESIGNATION SHALL BE MOUNTED WITHIN 18" OF (AND PARALLEL TO) THE STOREFRONT GLASS...
4 CASHWRAP CONDUITS: TRENCH PROVIDE (2) 1" DATA CONDUITS FOR TELEPHONE AND DATA AND STUB UP INTO CEILING SPACE ABOVE BACKWRAP...
5 20 AMP, 120V, DUPLEX RECEPTACLE AT CASH WRAP COUNTER FOR UTILITY POWER...
6 GENERAL CONTRACTOR TO PROVIDE AND INSTALL DUPLEX ELECTRICAL RECEPTACLES IN FIRE RATED ENCLOSURE TO POWER ANTI-THEFT SYSTEM/EQUIPMENT AND TRAFFIC COUNTER...
7 SMOKE DETECTOR FURNISHED AND INSTALLED BY MECHANICAL CONTRACTOR...
8 20 AMP, 120V, DEDICATED GROUND/DEDICATED CIRCUIT QUADRAPLEX RECEPTACLE FOR CASH REGISTERS...
9 HOME RUN THROUGH LIGHTING CONTROL PANEL...
10 NEW ELECTRICAL SERVICE EQUIPMENT...
11 PROVIDE BUZZER SYSTEM- AS SHOWN IN DETAIL 'A' ON THIS SHEET...
12 DOORMAX SENSORMATIC SYSTEM...
13 REUSE AND/OR RELOCATE EXISTING DUCT SMOKE DETECTOR AS SHOWN...
14 PENDANT MOUNTED OR RECESSED IN SOFFIT (VERIFY IN THE FIELD) JUNCTION BOX FOR TRAFFIC COUNTER...
15 SENSORMATIC EQUIPMENT...
16 LIGHTING CONTROL PANEL...
17 RECEIVING DESK...
18 MANAGERS OFFICE...
19 QUAD RECEPTACLE FOR REFRIGERATOR AND MICROWAVE MOUNTED AT 48" AFF...
20 HVAC EQUIPMENT CONNECTIONS...
21 WORKSTATION...
22 WORKSTATION DATA...
23 TENANT EC SHALL DEMO EXISTING LIGHTING CONTROL PANEL...
24 WIRELESS ACCESS POINT (WAP)...
25 HVAC THERMOSTATS AND REMOTE SENSORS...
26 CONDENSATE PUMP FRACTIONAL HORSEPOWER...
27 SECURITY CAMERAS...
28 SECURITY KEYPAD...
29 TRAFFIC COUNTER AND SENSORMATIC EAS...
30 CAMERAS AT BACKWRAP WALL TO BE PENANT MOUNTED...
31 GLASS-BREAK DEVICES...
32 360 DEGREE MOTION DETECTOR...
33 CASHWRAP DEVICES...
34 WATER HEATER...
35 EXISTING RESTROOMS AND ALL COMPONENTS TO REMAIN...
36 FIRE ALARM SYSTEM...
37 ZONE DAMPER (ZD)-120 VOLT FRACTIONAL H.P. MAKE 120 VOLT POWER CONNECTION TO GROUND...
38 G.C TO PROVIDE DUPLEX POWER & DATA @ 44" A.F.F. FOR RFID TABLET AND READER...
39 AHU-ACCU-1: 208 VOLT, 1 PH 17MCA, 30 MOCF RUN (4) #12 WIRES FROM ACCU TO AHU...
40 WAP BOXES AND SMOKE EVAC FAN POWERED BY LANDLORDS PANEL...
41 FIRE ALARM IN INTERFACE BETWEEN TENANT SPACE AND LANDLORDS FIRE ALARM SYSTEM...
42 PROVIDE USB CHARGER RECEPTACLE...
43 FIRE ALARM TERMINAL CABINET...

- 1. PROVIDE CAT6 CABLE FROM CAMERA LOCATION TO SECURITY VIDEO EQUIPMENT IN MANAGER'S OFFICE...
2. LEAVE 4' COIL AT EACH END FOR TERMINATION BY SECURITY VENDOR...
3. PROVIDE PLENUM RATED CABLE WHERE REQUIRED BY LOCAL JURISDICTION...
4. PROVIDE SPEAKER WIRE ROUTED IN EMT CONDUIT AND BOXES WHERE REQUIRED BY LOCAL JURISDICTION...
1. PROVIDE 4"-SQ BOX WITH SINGLE-GANG MUDRING AT +48" AFF WITH 1/2" CONDUIT AND PULLSTRING TO CEILING SPACE...
2. WIRING FROM KEYPAD TO SECURITY PANEL BY SECURITY VENDOR...
1. PROVIDE TWO CAT6 CABLE IN CONDUIT FROM MANAGER'S OFFICE...
2. LEAVE 8' COILS ABOVE DOORWAY...
3. LEAVE 4' COILS IN MANAGER'S OFFICE...
CAMERAS AT BACKWRAP WALL TO BE PENANT MOUNTED...
MOUNT GLASS-BREAK DETECTORS AT MIDDLE OF OVERALL WINDOW SECTION...
360 DEGREE MOTION DETECTOR...
1. PROVIDE EMT CONDUIT PENDANT AND J-BOX...
2. SEE PENDANT DETAIL THIS SHEET...
1. WIRELESS DEVICES TO BE PROVIDED BY SECURITY VENDOR...
WATER HEATER, 120V, 1 1/2, 1.5KW...
EXISTING RESTROOMS AND ALL COMPONENTS TO REMAIN...
THE GENERAL CONTRACTOR SHALL INCLUDE IN HIS BID THE COST FOR A COMPLETE OPERATIONAL FIRE ALARM SYSTEM...
ZONE DAMPER (ZD)-120 VOLT FRACTIONAL H.P. MAKE 120 VOLT POWER CONNECTION TO GROUND...
G.C TO PROVIDE DUPLEX POWER & DATA @ 44" A.F.F. FOR RFID TABLET AND READER...
AHU-ACCU-1: 208 VOLT, 1 PH 17MCA, 30 MOCF RUN (4) #12 WIRES FROM ACCU TO AHU...
WAP BOXES AND SMOKE EVAC FAN POWERED BY LANDLORDS PANEL...
FIRE ALARM IN INTERFACE BETWEEN TENANT SPACE AND LANDLORDS FIRE ALARM SYSTEM...
PROVIDE USB CHARGER RECEPTACLE...
FIRE ALARM TERMINAL CABINET...

SECURITY GENERAL NOTES :

- A. 1/2" CONDUIT SHALL BE ROUTED FROM KEYPAD TO ACCESSIBLE CEILING SPACE...
B. WALL MOUNTED CAMERAS BACK BOXES SHALL BE FLUSH MOUNTED...
C. CAMERAS SHALL BE 12' TO 15' FROM TARGET...
D. CASHWRAP CAMERA LOCATIONS AS NOTED ON DETAIL D ON SHEET E-111...
E. ALL CASHWRAP CAMERAS SHALL BE PENDANT MOUNTED...
F. ALL J-BOXES TO BE 4" SQUARE...
G. ALARM PANEL SHALL BE MOUNTED NEAR TELEPHONE BOARD...
H. GENERAL CONTRACTOR TO RUN ALL LOW-VOLTAGE CAT6 WIRE AND TO LEAVE AN EXTRA 4' AT EACH END AND LABEL CABLES APPROPRIATELY...
I. ANTI-BURGLARY DEVICES...
J. MOUNT ALL PANELS ON TELEPHONE BOARD...
K. GENERAL CONTRACTOR TO COORDINATE ALL WORK WITH SECURITY DEPT...
L. SECURITY RACK TO BE SUPPLIED BY TENANT AND INSTALLED BY GENERAL CONTRACTOR...

REFER TO ARCHITECTURAL DRAWINGS FOR MOUNTING HEIGHT SPECIFICATIONS
ELECTRICAL NOTES:
- A SEPARATE LOW VOLTAGE PERMIT IS REQUIRED FOR LOW VOLTAGE WIRING INSTALLATION.
- GENERAL CONTRACTOR/ELECTRICAL CONTRACTOR SHALL BE RESPONSIBLE FOR FILING AND OBTAINING THE PERMIT.
- GENERAL CONTRACTOR TO PROVIDE ALL LOW VOLTAGE CAT6 WIRING.
GENERAL CONTRACTOR TO PROVIDE LOW VOLTAGE CABLE, CONDUIT AND JUNCTION BOXES...
PROVIDE A SPARE CAT6 CABLE TO EACH CASH REGISTER

POWER GENERAL NOTES:

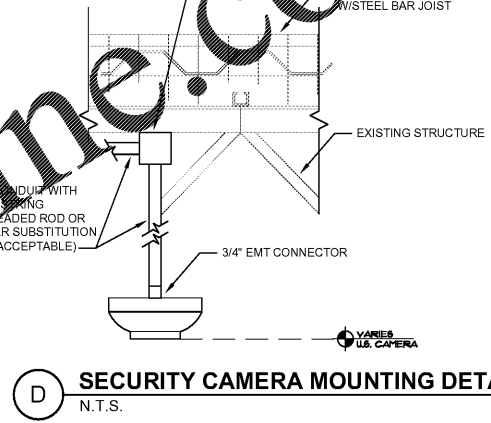
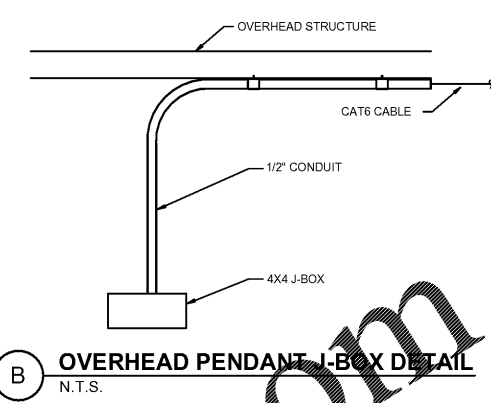
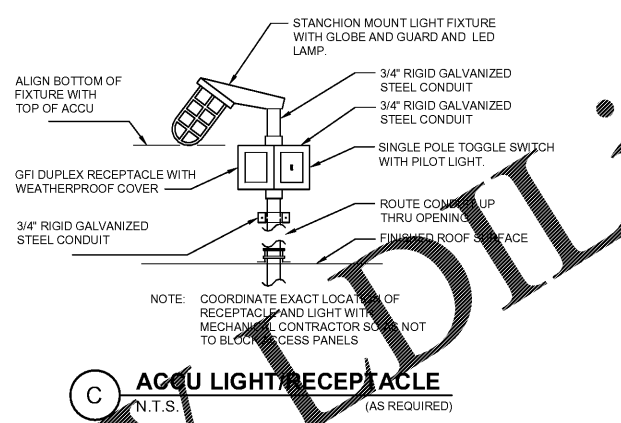
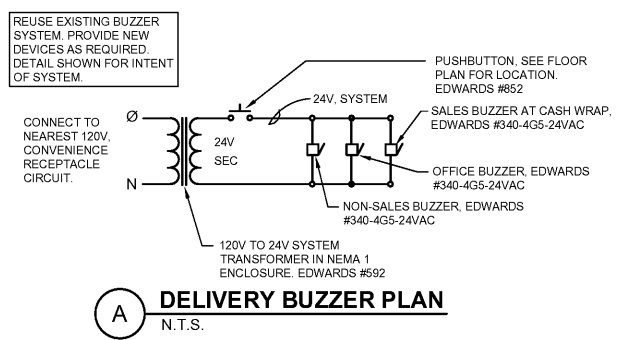
- A. REFER TO MECHANICAL PLANS FOR LOCATION OF MECHANICAL EQUIPMENT...
B. ALL CEILING MOUNTED RECEPTACLE COVERPLATES IN WHITE CEILING SHALL BE WHITE IN COLOR...
C. ALL WALL MOUNTED RECEPTACLES, SWITCHES, AND COVERPLATES SHALL BE WHITE IN COLOR...
D. CONDUIT FOR DATA/TELEPHONE OUTLETS SHALL HAVE NO MORE THAN THREE 90° BENDS...
E. LABEL ALL COVERPLATES ON INSIDE FACE OF PLATE WITH CIRCUIT NUMBER AND PANEL DESIGNATION...
F. (IF APPLICABLE) REFER TO ARCHITECTURAL PLANS FOR EXACT LOCATIONS OF RECEPTACLES, DATA/TELEPHONE OUTLETS AND OTHER DEVICES...

ALL WIRING SHALL BE IN CONDUIT

E.M.T OR RIGID
FLEXIBLE CONDUIT MAY ONLY BE USED FOR FINAL CONNECTIONS FROM OUTLET BOXES TO LIGHT FIXTURES, MOTORS, APPLIANCES, ETC. MAX. LENGTH 6 FEET.
NO BC, ROMEX, ARMORED CABLE, ETC. ALLOWED.

DEMOLITION
REMOVE ALL EXISTING ELECTRICAL EQUIPMENT, FIXTURES, SYSTEMS, CONDUIT AND WIRE, ETC., NOT BEING USED... DO NOT JUST ABANDON IN PLACE.

FIRE ALARM
COORDINATE WITH THE MALL MAIN FIRE ALARM SYSTEM AND PROVIDE/UPGRADE THE TENANT'S SPACE EXISTING SYSTEM AS REQUIRED BY THE LANDLORD CRITERIA...
BE PERFORMED BY THE MALL APPROVED FIRE ALARM CONTRACTOR AT TENANT'S EXPENSE.



CAT6 CABLE LABEL SCHEDULE

Table with 4 columns: PORT, NAME, DESCRIPTION, FLOOR LOCATION. Lists various ports like D1-D4, P1-P2, HC1, A1, WAP1, R1-R3, M01-M04, AOS1-AOS2, AN1, N1, N2 and their corresponding descriptions and locations.

FIELD VERIFY ALL CONDITIONS

DESIGN DRAWINGS ARE SCHEMATIC. THIS CONTRACTOR SHALL VISIT THE SITE PRIOR TO BIDDING OR AWARD OF CONTRACT TO INSPECT EXISTING FIELD CONDITIONS...
THE CONTRACTOR SHALL CONTACT THE ARCHITECT, ENGINEER OR OWNER PRIOR TO BIDDING FOR INTERPRETATIONS AND CLARIFICATIONS OF THE DESIGN AND INCLUDE IN THIS BID ALL COSTS TO MEET THE DESIGN INTENT...
BIDDING CONTRACTORS SHALL HAVE A WORKING KNOWLEDGE OF LOCAL CODES AND ORDINANCES...

Boston + Brockton
142 Crescent Street
Brockton, MA 02302
508.583.5603
bkaarchitects.com

CONSULTANT

SEAL

ISSUED
4/12/19 LL & PERMIT REVIEW

REVISIONS

OWNER/CLIENT
REEBOK INTERNATIONAL

PROJECT
CHARLOTTE PREMIUM OUTLETS

5518 NEW FASHION WAY
SUITE #510
CHARLOTTE, NC 28278

DRAWING TITLE
POWER PLAN

DRAWING INFORMATION
Job Number: 219007

Checked By: DFG
Drawn By: PMN

DRAWING NUMBER

E

111

Drawing name: P:\1941xxx\1941045194104501.dwg