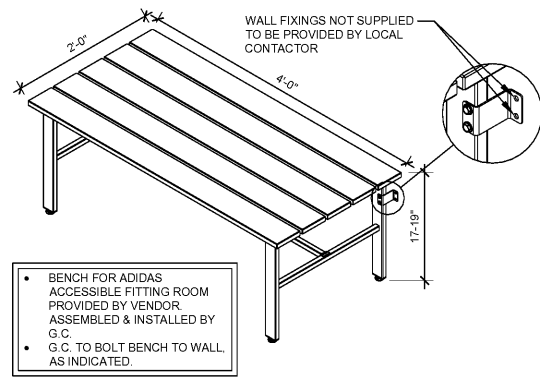
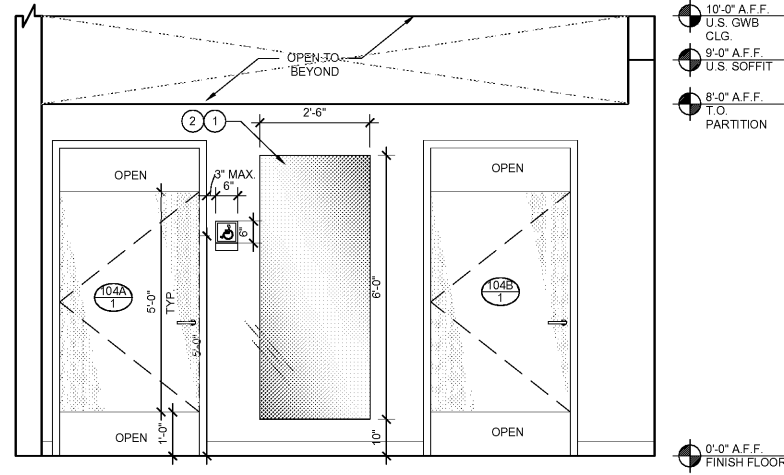


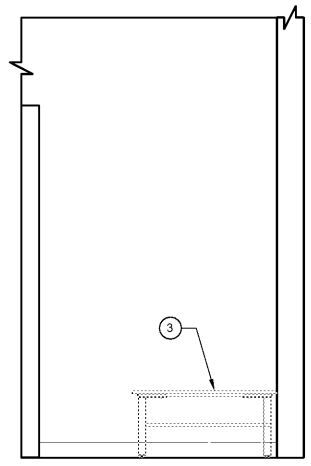
- KEY NOTES**
- 1 STAINLESS STEEL J-CANNEL ALONG TOP & BOTTOM OF MIRROR, SCREWED INTO STUDS IN A MINIMUM OF TWO LOCATIONS. IF NOT POSSIBLE, G.C. TO PROVIDE 1X4 RECESSED BLOCKING AS NEEDED, TYP. FOR ALL MIRRORS.
 - 2 1/2" THICK CLEAR MIRROR F&I BY G.C. CLEAR SILICONE CAULK AROUND ALL MIRROR EDGES. NO GAP TO BE SHOWN. ADHERED TO WALL USING MIRROR MASTIC.
 - 3 TEAM ROOM BENCH, FURNISHED BY VENDOR, INSTALLED BY G.C. ACCESSIBLE BENCH TO BE BOLTED TO WALL, REFER TO DETAIL S/A410.
 - 4 CLOTHING HOOKS, FURNISHED BY VENDOR, INSTALLED BY G.C., TYP.
- REFER TO SHEET A140 FOR FINISH SPECIFICATIONS



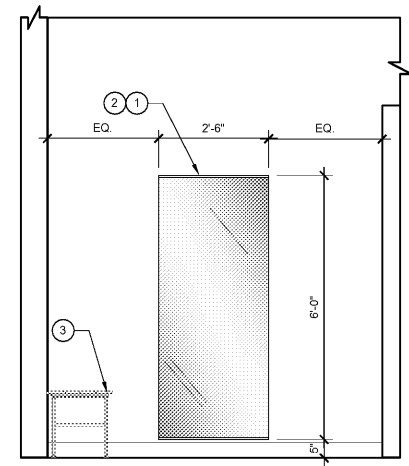
5 ACCESSIBLE TEAM ROOM BENCH
 SCALE: 1/2" = 1'-0"



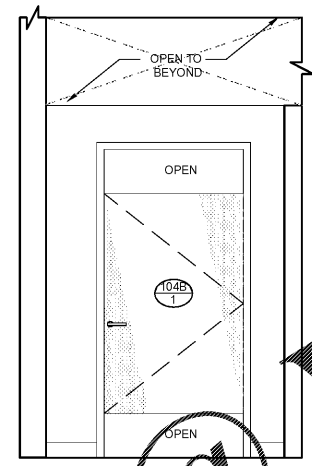
4 TEAM ROOM CORRIDOR ELEVATION (RM. 104)
 SCALE: 1/2" = 1'-0"



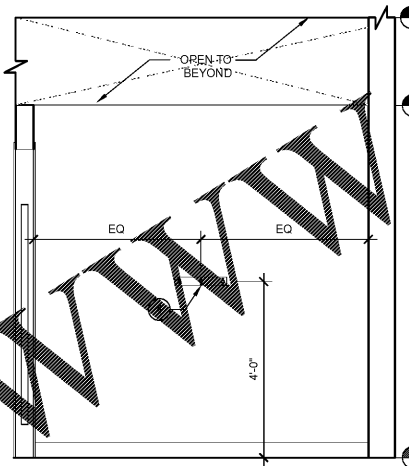
ELEVATION 3A
 SCALE: AS NOTED



ELEVATION 3B
 SCALE: AS NOTED

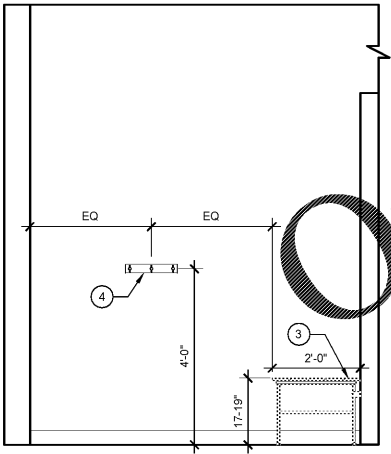


ELEVATION 3C
 SCALE: AS NOTED

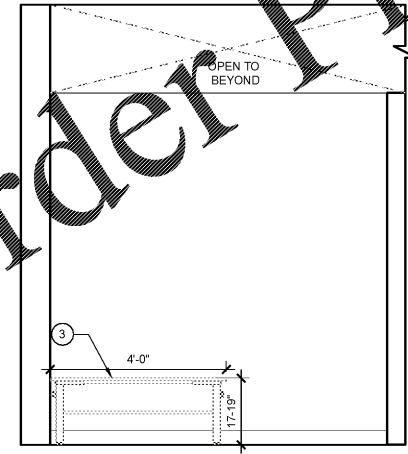


ELEVATION 3D
 SCALE: AS NOTED

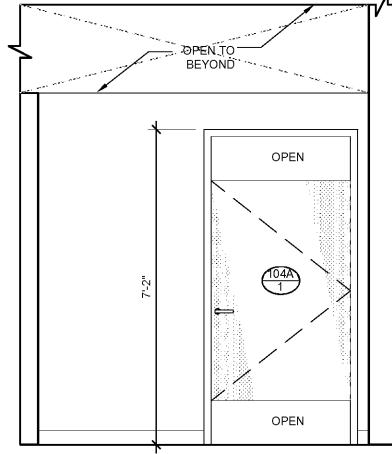
3 TEAM ROOM ELEVATIONS (RM. 104B)
 SCALE: 1/2" = 1'-0"



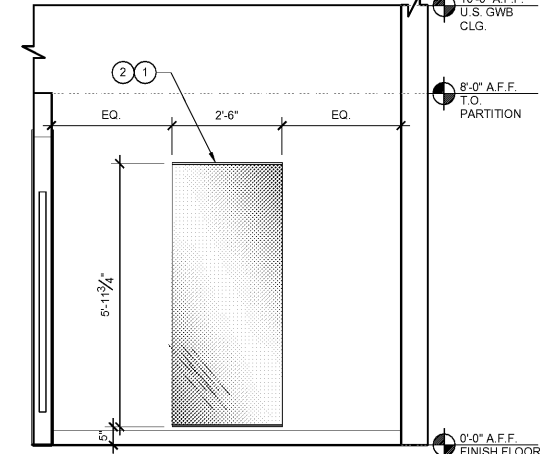
ELEVATION 2A
 SCALE: AS NOTED



ELEVATION 2B
 SCALE: AS NOTED

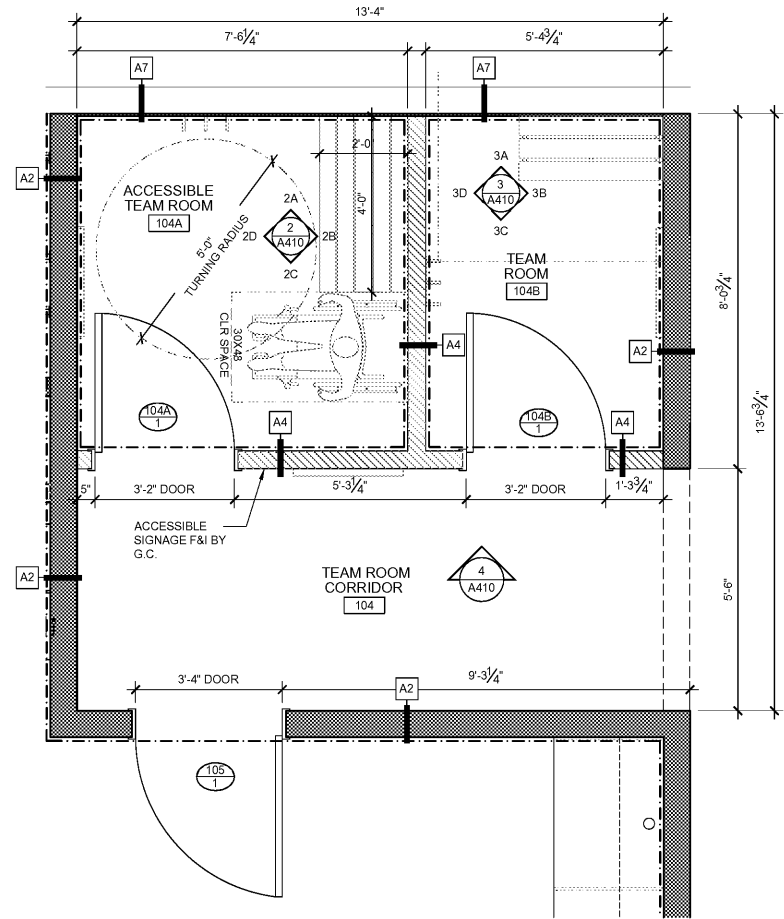


ELEVATION 2C
 SCALE: AS NOTED



ELEVATION 2D
 SCALE: AS NOTED

2 ACCESSIBLE TEAM ROOM ELEVATIONS (RM. 104A)
 SCALE: 1/2" = 1'-0"



1 TEAM ROOM PLAN (RM. 104)
 SCALE: 1/2" = 1'-0"