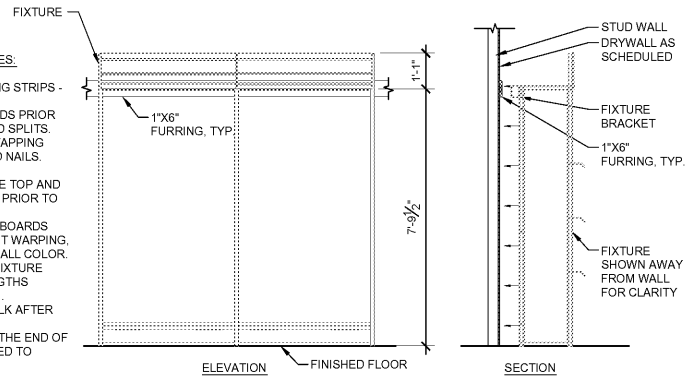


NEW PERIMETER FIXTURES

FIXTURE WALL MOUNTING SUPPORT NOTES:

1. PROVIDE AND INSTALL (1) 1x6 FURRING STRIPS - GRADE 2 OR BETTER.
2. PRE-DRILL PILOT HOLES IN ALL BOARDS PRIOR TO INSTALLATION TO PREVENT WOOD SPLITS.
3. SECURE THE 1x6 WITH THREE SELF-TAPPING SCREWS PER WALL STUD AND LIQUID NAILS. MINIMUM SCREW SIZE IS #8.
4. CAULK THE EDGES OF THE 1x6 AT THE TOP AND BOTTOM WHERE IT MEETS THE WALL PRIOR TO PAINTING.
5. PRIME AND PAINT ALL SURFACES OF BOARDS PRIOR TO INSTALLATION TO PREVENT WARPING, CUPPING OR TWISTING) TO MATCH WALL COLOR. VERIFY LOCATION OF FIXTURE AND FIXTURE WALL MOUNTING SUPPORT AND LENGTHS REQUIRED WITH FINAL FIXTURE PLAN.
6. FILL SCREW HOLES WITH WHITE CAULK AFTER INSTALLATION.
7. FURRING STRIPS TO BE FLUSH WITH THE END OF THE FIXTURE AND THE EDGES PAINTED TO MATCH WALL.



5 FIXTURE RACKING DETAIL
SCALE: 3/8"=1'-0"

STOCKROOM FIXTURES LEGEND

TYPE	NAME	COMMENTS
	LOCKERS	SUPPLIED BY VENDOR INSTALLED BY G.C.
	DRINKING FOUNTAIN	SUPPLIED AND INSTALLED BY G.C.
	REFRIGERATOR	SUPPLIED BY OWNER INSTALLED BY G.C.
	MOBILE STOCK SHELVING	SUPPLIED & INSTALLED BY VENDOR
	STATIC STOCK SHELVING	SUPPLIED & INSTALLED BY VENDOR
	APPAREL ROD	SUPPLIED BY VENDOR INSTALLED BY G.C.

SALES FIXTURES LEGEND

TYPE	DESCRIPTION	QTY.
	WALL TYPE A- APPAREL (STARTER, MIDDLE, END)	19
	WALL TYPE A- FOOTWEAR (STARTER, MIDDLE, END)	19
	FOOTWEAR DUAL FLOOR RACK (STARTER, MIDDLE, END)	20
	MANNEQUIN W/ FEATURE CUBE	2
	4-WAY	11
	ROUNDEL	2
	BALL BIN	0
	LARGE TABLE, SMALL TABLE	2
	LARGE H-GONDOLA	2
	CASHWRAP COUNTER	
	ADA CASHWRAP COUNTER	1
	BACKWRAP COUNTER	2
	FITTING ROOM BENCH	2
	FITTING ROOM BENCH ADA	5
	FITTING ROOM BENCH ADA	2

SHEET NOTES

1. FURNITURE FIXTURES ARE SHOWN FOR REFERENCE ONLY.
2. FURNITURE / FIXTURE VENDOR TO PROVIDE CRITICAL DIMENSIONS FOR FEEDS, AND WILL MOUNT OUTLETS. CONTRACTOR TO COORDINATE LOCATIONS WITH VENDORS.
3. G.C. SHALL BE RESPONSIBLE AT TIME OF DELIVERY TO CONFIRM QUANTITY AND PRODUCT TYPE RECEIVED. VENDOR MUST BE NOTIFIED WITHIN 24 HOURS OF RECEIPT OF MATERIAL FOR MISSING, LOST, DAMAGED OR CONCEALED DAMAGED PRODUCT IF ANY SUSPECTED. CONCEALED DAMAGE OR DAMAGED SHIPMENT MUST BE SIGNED FOR AS SUCH BEFORE CARRIER LEAVES MATERIAL ON SITE. THIS INCLUDES DELIVERIES FOR ALL SALES & STOCKROOM FIXTURES.
4. MINIMUM 4" CLEARANCE REQUIRED BETWEEN ALL STATIC FIXTURES
5. ALL SALES FLOOR WALL FIXTURES & FREE-STANDING DISPLAY FIXTURES ARE FURNISHED BY FIXTURE VENDOR. PRE-FINISHED & INSTALLED BY GC. VERIFY FINAL LOCATION WITH OWNER'S CONSTRUCTION MANAGER
6. G.C. TO COORDINATE WITH ALL OWNER'S VENDORS INCLUDING TELEPHONE, AUDIOVISUAL, SECURITY, & FIXTURES, FOR DELIVERY AND INSTALLATION DATES.
7. G.C. TO LEAVE SPARE FIXTURE HARDWARE FOR OPENING TEMPLATES CENTRALLY LOCATED ON SALES FLOOR & ORGANIZED BY FIXTURE VENDOR.
8. VENDOR TO FURNISH & TO ATTACH "NOT TO SCALE" STUDS TO THE END OF EVERY AISLE OF 30" D FIXTURES, AS WELL AS "NOT TO SCALE" ONE FOR EVERY FOUR WALL UNITS.
9. VENDOR FURNISH & TO ATTACH "NOT TO SCALE" ADDER HANGERS TO MOBILE/STATIC STOCKROOM SHELVING.
10. STOCKROOM FIXTURE HEIGHTS TO BE 10'-0" A.F.F.

BLOCKING SCHEDULE FOR TENANT G.C.

FIXTURE	BLOCKING HEIGHTS AND LOCATIONS
MIRROR	FIT ROOMS. J-CHANNEL TO BE SCREWED INTO STUDS IN A MIN. OF TWO LOCATIONS. G.C. TO USE 1X4 RECESSED BLOCKING, AS NEEDED. MIRROR TO BE ADHERED TO WALL & CAULKED ON ALL SIDES TYP.
	WALL FIXTURES, TYPE A, TYP. 1X6 BLOCKING FOR SUPPORT BRACKET TO BE CENTERED AT 93-1/2" A.F.F.

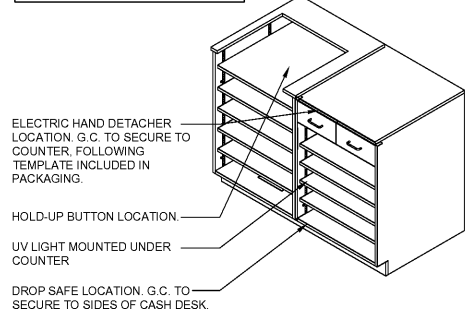
BLOCKING NOTES:

1. ANY BLOCKING THAT IS SURFACE APPLIED ON THE FACE OF THE GYPSUM BOARD TO BE PAINTED THE SAME COLOR AS THE WALL. SEE INTERIOR ELEVATIONS FOR PAINT COLORS. ALL RECESSED BLOCKING SHALL BE FIRE RETARDANT. G.C. TO PROVIDE BLOCKING FOR FIXTURES AS REQ'D FOR SUFFICIENT SUPPORT & FOR A COMPLETE INSTALLATION OF THE FIXTURES. REFER TO INSTALLATION GUIDES, MANUALS, CUT SHEETS, & PLAYBOOKS, ETC. FOR BLOCKING REQUIREMENTS
2. G.C. TO V.I.F. BLOCKING HEIGHT & LOCATION OF FIXTURE & COORD. W/ FIXTURE VENDOR
3. WHERE REQUIRED, EDGE TRIM AT SLAT WALLS TO BE 1/2" THICK
4. ALL EXPOSED BLOCKING SHALL BE SMOOTH FACED FINISHED PAINT GRADE. COUNTER-SINK ALL NAIL OR SCREW HOLES, FILL AND SAND SMOOTH. PAINT TO MATCH WALL COLOR
5. SURFACE MOUNTED BLOCKING SHALL BE 3/4" U.N.O. SEE BLOCKING NOTE 1, WHERE THE BLOCKING IS CONCEALED IT SHALL BE 1/2"
6. ALL NAIL HOLES AT SLATWALL TRIM (OR ANY OTHER EXPOSED TRIM ELSEWHERE) TO BE FILLED, SANDED SMOOTH, & PRIMED PRIOR TO PAINTING TYP.
7. ALL BLOCKING AT MIRRORS TO BE RECESSED SO THAT MIRROR SITS FLUSH ON DRYWALL ONCE INSTALLED.

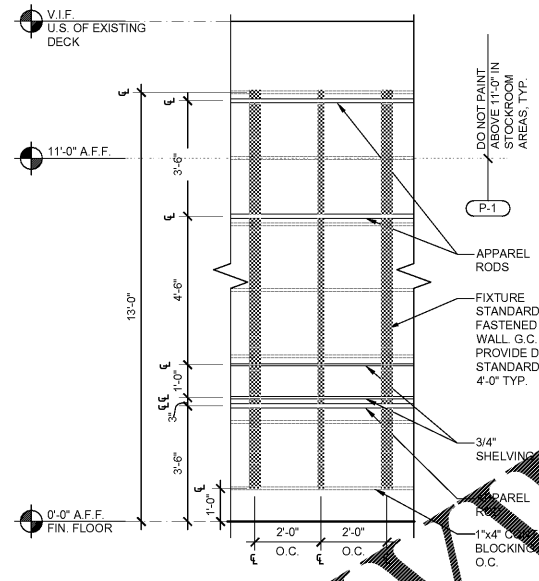
KEY NOTES

1. G.C. TO BOLT CASHWRAP & BACKWRAP TO THE FLOOR.
2. ALL STOCKROOM MOBILE & STATIC SHELVING STORAGE FURNISHED & INSTALLED BY BOH FIXTURE VENDOR.
3. ALL SALES FIXTURES FURNISHED BY VENDOR & INSTALLED BY GC
4. WALL-MOUNTED FIRST AID KIT PROVIDED BY OWNER. INSTALLED BY G.C.
5. RECEIVING DESK BY G.C. REFER TO DETAIL 4/A420
6. MANAGER'S DESK BY G.C. REFER TO DETAILS 1, 2, & 3 ON A420
7. TOILET ROOM P-LAM SHELVES F&I BY GC. REFER TO 6/A420
8. "ANNOGOTCHA" HANGING GRAPHIC DISPLAY AT STOREFRONT. REFER TO SHEET A131.
9. APPAREL ROD FURNISHED BY VENDOR, INSTALLED BY G.C. REFER TO DETAIL 4/A130.
10. RFID TABLET, INSTALLED W/ REQUIRED BLOCKING. REFER TO SHEET A150 & MEP ENG. DWG'S FOR MORE INFORMATION.

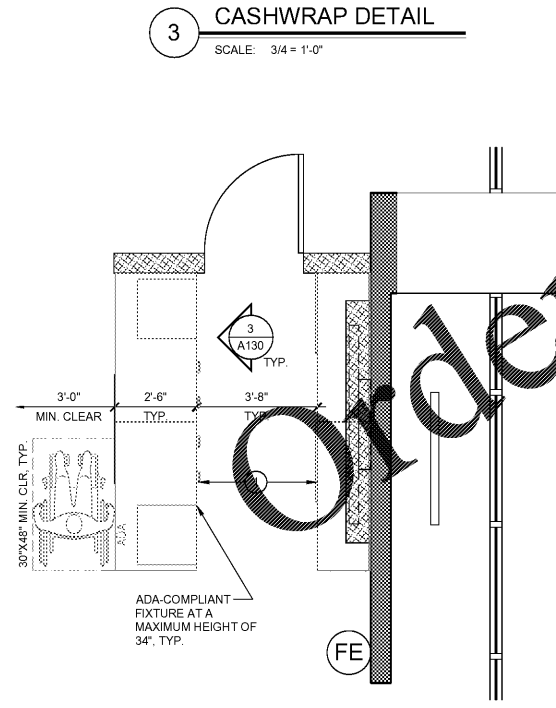
NOTE: EQUIPMENT LOCATIONS ARE TYPICAL PER CASHWRAP BAY.



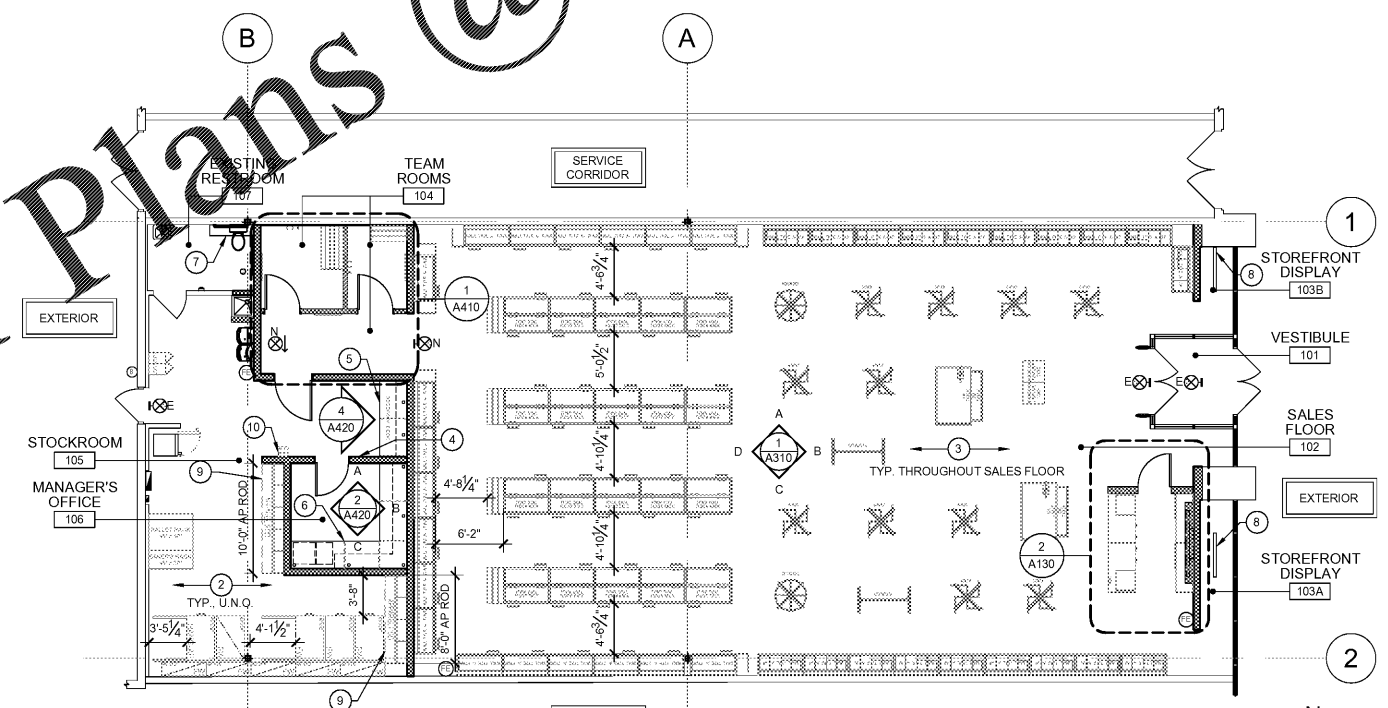
3 CASHWRAP DETAIL
SCALE: 3/4" = 1'-0"



4 PARTIAL APPAREL ROD ELEV.
SCALE: 3/8"=1'-0"



2 CASHWRAP DETAIL PLAN
SCALE: 3/8"=1'-0"



1 FIXTURE PLAN
SCALE: 1/8"=1'-0"

CONSULTANT

SEAL

ISSUED

4/12/19 LL & PERMIT REVIEW

REVISIONS

OWNER/CLIENT
REEBOK INTERNATIONAL

PROJECT
CHARLOTTE PREMIUM OUTLETS

5518 NEW FASHION WAY
 SUITE #510
 CHARLOTTE, NC 28278

DRAWING TITLE
FIXTURE PLAN & SCHEDULE

DRAWING INFORMATION
 Job Number: **219007**
 Checked By: **KTB**
 Drawn By: **LJM**

DRAWING NUMBER