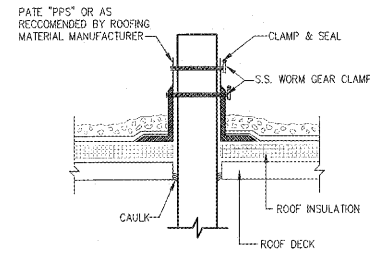
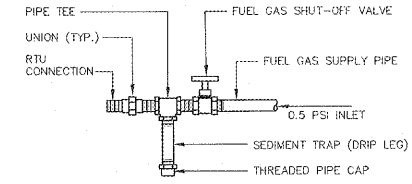


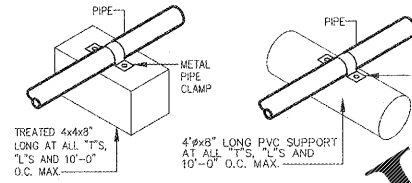
Order Plans @ www.LDILine.com



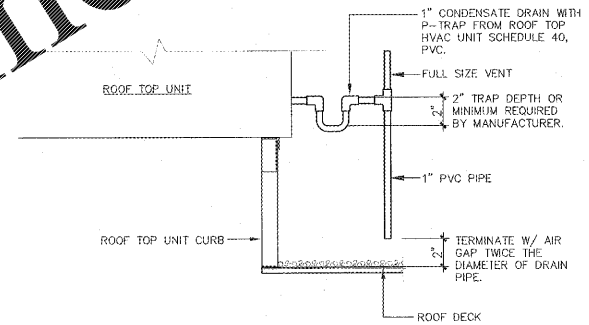
4 VENT THRU ROOF DETAIL
P501 SCALE: N.T.S.



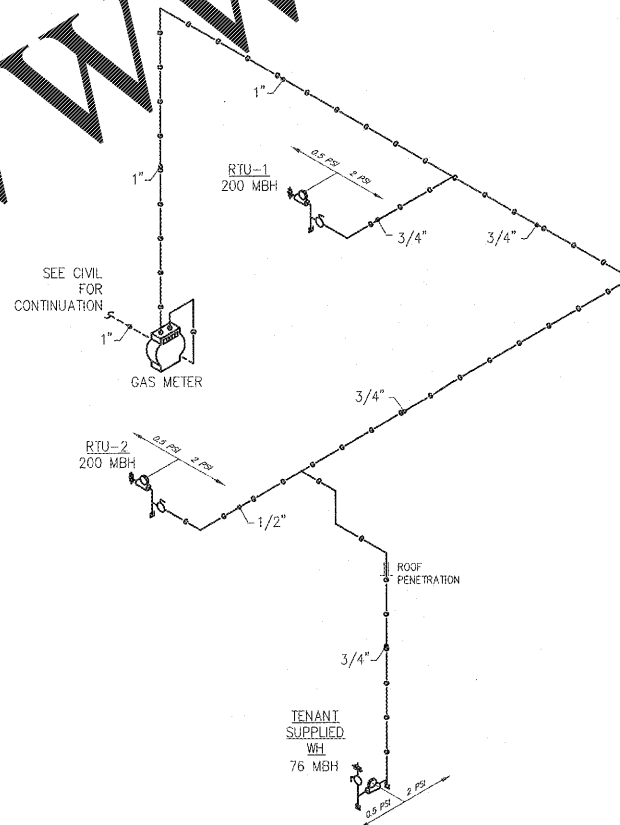
1 GAS CONNECTION DETAIL
P501 SCALE: N.T.S.



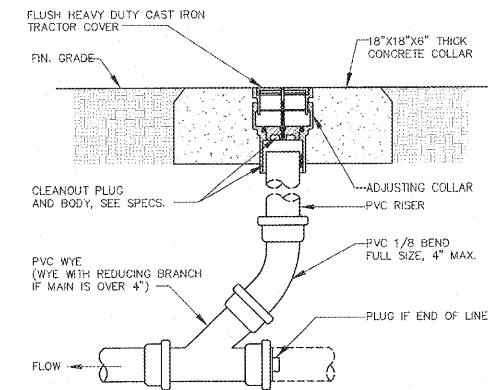
5 ROOF PIPING SUPPORT
P501 SCALE: NONE



2 CONDENSATE DRAIN DETAIL
P501 SCALE: N.T.S.



6 GAS RISER (2 PSI)
P501 SCALE: N.T.S.



3 EXTERIOR CLEAN-OUT DETAIL
P501 SCALE: NONE

LHMT Project No. 18201
3005 Carrington Mill Blvd., Raleigh, NC 27617
Phone 919.234.0051, Fax 919.544.9399



LHMT ENGINEER LICENSE NUMBER - C-1859

PROJECT: STARBUCKS SHELL BUILDING
360 BLOWING ROCK BOULEVARD
LENOIR, NC 28645
DRAWING: PLUMBING DETAILS AND RISER

Revisions	
REVISION DATE	
PROJECT DATE	03/26/2019
Drawn By	SCP
Checked By	SDS
Sheet No.	P501